

FLORENCE-1R-CLIP-B

Installation clip for fastening FLORENCE-1R optics or FLORENTINA-HLD to extrusion profiles

SPECIFICATION:

Dimensions	23.6 x 6.0 mm
Height	6.9 mm
Fastening	clips
ROHS compliant	yes ⓘ

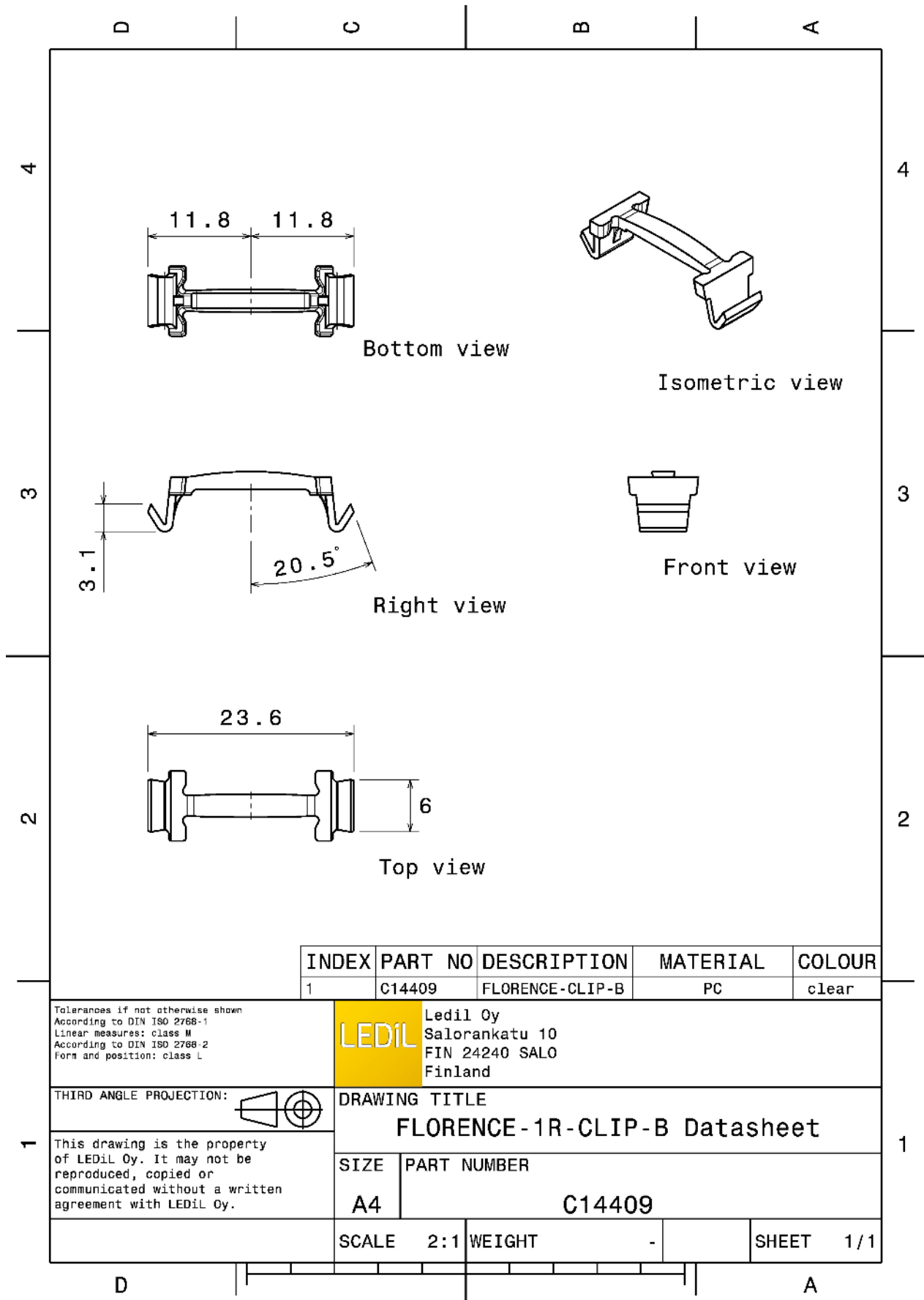


MATERIALS:

Component	Type	Material	Colour	Finish
FLORENCE-1R-CLIP-B	Accessory	PC	clear	

ORDERING INFORMATION:

Component	Qty in box	MOQ	MPQ	Box weight (kg)
C14409_FLORENCE-1R-CLIP-B » Box size: 400 x 300 x 300 mm	11520	720	60	3.3



See also our general installation guide: www.ledil.com/installation_guide

AVAILABLE LEDiL PRODUCTS:

Product name	Description
F14304_FLORENCE-1R-Z90	~90° + 110° wide beam
F14344_FLORENCE-1R-ZT25	Asymmetric beam for wall-washing
C14454_FLORENCE-1R-O	~95° + 30° oval beam
F14468_FLORENCE-1R-Z60	~60° + 110° medium beam
F14487_FLORENCE-1R-MAXI-WG	Asymmetric oval beam for wall grazing
C14530_FLORENCE-1R-Z2T25	Double asymmetric beam for aisle and shelf lighting
C14642_FLORENCE-1R-UP	Asymmetric beam for uplighting
CP14866_FLORENTINA-HLD-RS	~10° real spot beam
CP14993_FLORENTINA-HLD-SS	~16° smooth spot beam
CP14994_FLORENTINA-HLD-M	~30° medium beam
CP14995_FLORENTINA-HLD-O	~35° + 12° oval beam
CP14996_FLORENTINA-HLD-D	~18° diffused spot beam
FP14997_FLORENTINA-HLD-W	~40° wide beam
FP14998_FLORENTINA-HLD-WW	~45° wide beam
F15216_FLORENCE-1R-GC-Z90	~90° rectangular beam
CP15250_FLORENTINA-HLD-WW	
CP15341_FLORENTINA-HLD-O-WAS	Oval beam for wall-washing
CP15678_FLORENTINA-HLD-O-90	~35° + 15° oval beam. Variant with beam direction rotated 90°.
F15684_FLORENCE-1R-GC-Z60	~70° wide beam
F15685_FLORENCE-1R-GC-ZT25	Asymmetric beam for wall-washing
FP16391_FLORENTINA-HLD-BW	~60° batwing beam

GENERAL INFORMATION:

NOTE: The typical beam angle will be changed by different color, chip size and chip position tolerance. The typical total beam angle is the full angle measured where the luminous intensity is half of the peak value.

MATERIALS:

As part of our continuous research and improvement processes, and to ensure the best possible quality and availability of our products, LEDiL reserves the right to change material grades without notice.

PRODUCT DATA USER AGREEMENT AND DISCLAIMER:

The measured data in the provided downloadable LEDiL Product Datasheets and Mechanical 2D-Drawings is rounded and provided as reference for planning. LEDiL Oy's optical specifications have been verified by conducting performance testing of the products in accordance with the company's quality system. The reported data are averaged results of multiple measurements with typical variation. LEDiL Oy reserves the right to without prior notification make changes and improvements to its products.

LEDiL Oy assumes neither warranty, nor guarantee nor any other liability of any kind for the contents and correctness of the provided data. The provided data has been generated with highest diligence but the provided data may in reality not represent the complete possible variation range of all intrinsic parameters. Therefore, in certain cases a deviation from the provided data could occur.

LEDiL Oy reserves the right to undertake technical changes of its products without further notification which could lead to changes in the provided data. LEDiL Oy assumes no liability of any kind for the possible deviation from any provided data or any other damage resulting from the usage of the provided data.

The user agrees to this disclaimer and user agreement with the download or usage of the provided files.

LEDiL Oy

Joensuunkatu 13
FI-24240 SALO
Finland

LEDiL Inc.

228 West Page Street
Suite D
Sycamore IL 60178
USA

Ledil Optics Technology (Shenzhen) Co., Ltd.

405 , Block B
Casic Motor Building
Shenzhen 518057
P.R.CHINA

Local sales and technical support

[www.ledil.com/
where_to_buy](http://www.ledil.com/where_to_buy)

Shipping locations

Salo, Finland
Hong Kong, China

Distribution Partners

[www.ledil.com/
where_to_buy](http://www.ledil.com/where_to_buy)