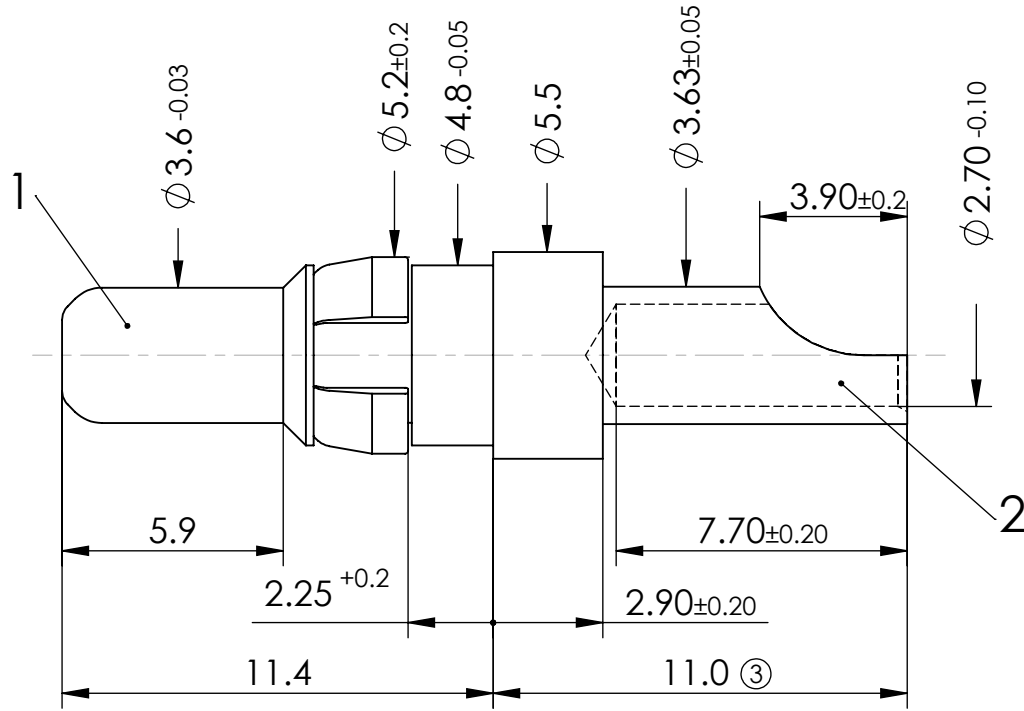
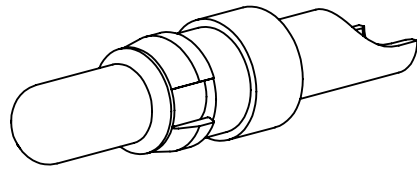


COMMENT:  
 ALL RIGHTS ARE RESERVED BY US FOR THIS DRAWING. WITHOUT OUR PRIOR CONSENT,  
 IT MAY NEITHER BE DUPLICATED NOR MADE AVAILABLE TO A THIRD PARTY,  
 AND IT ALSO MAY NOT BE IMPROPERLY USED BY THE RECEIVER, OR A THIRD PARTY.



CURRENT	20 A		HIGH POWER CONTACT	SCALE 5:1	DATA SHEET	
FOR	D-Sub					
DIMENSIONS IN MM	DRAWN	NAME / DATE		PART NO. FMP006P		
MATERIAL + FINISH SEE EXTRA SHEET	CHECKED	D. Bocan 02-04-2003				
UNLESS OTHERWISE SPECIFIED DIMENSIONS FOR REFERENCE ONLY	3		ffuhrmann 15-12-2006		REV. 3	
REV.	DATE	INDEX	ORIGINAL: DIN A4-DRAWING AS A FILE		REPLACEMENT FOR:	



1

2

1

2

3

4

5

6

A

A

B

B

C

C

D

D

1

2

PAGE: 1/1