



D

C

B

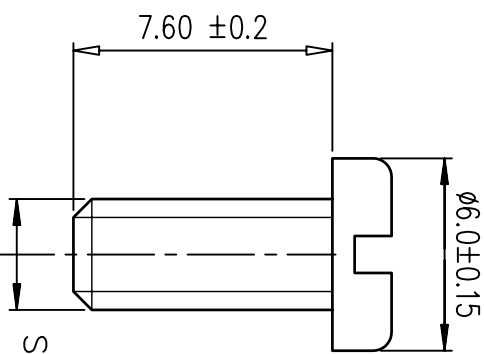
A

1

2

3

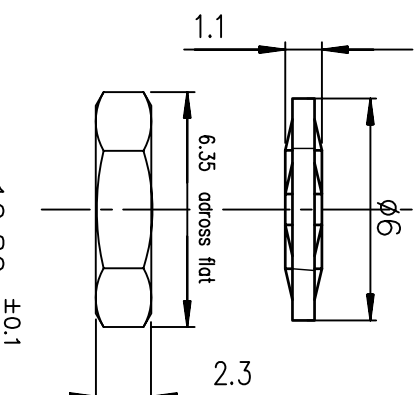
4



SELLERS UNC 4.40

0.80±0.2

1.7 <sup>+0</sup>/<sub>-0.2</sub>

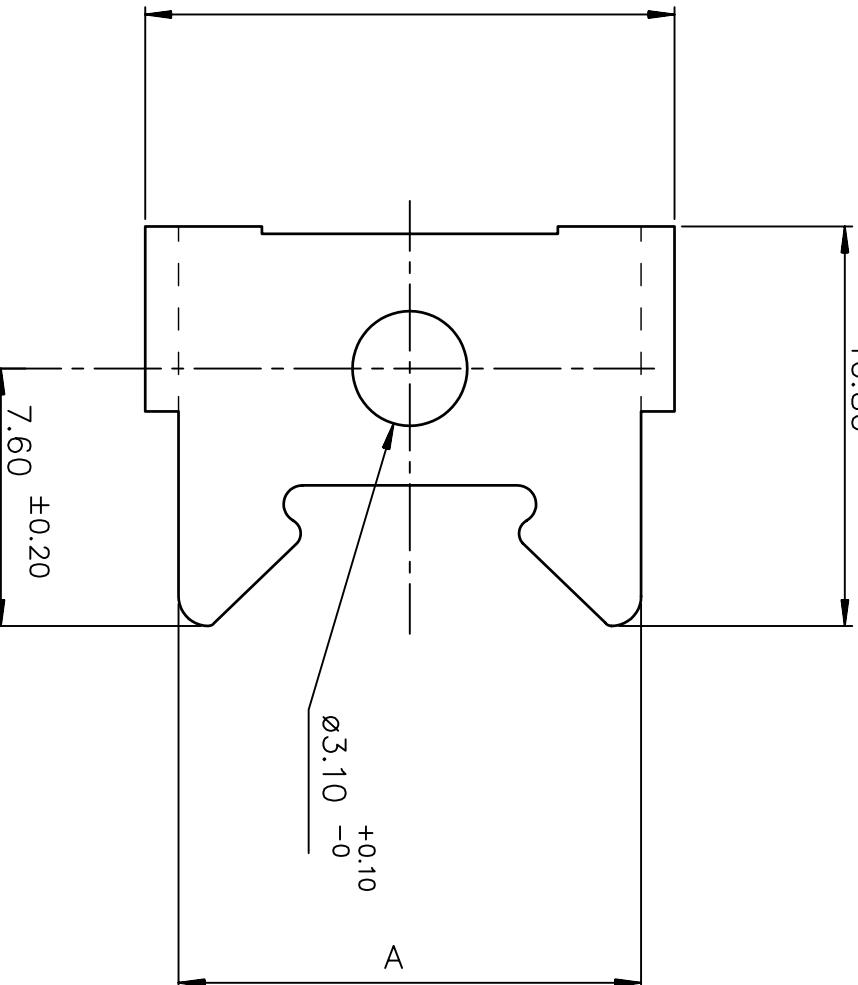


+0.2  
-0.1

B

ø3.10 <sup>+0.10</sup>/<sub>-0</sub>

A



REV F - 2006-04-17

1

2

3

4

PART NUMBER	PACKAGING	A	B
86303425060LF	per 100 pieces	12.50	14.30
86303426060LF	per 100 pieces	15.40	17.10

NOTE1:ROHS INFORMATIONS

- The "LF" product meets European union Directives and other country regulations as described in GS-22-008.
- The product is not intended to be exposed to a manufacturing solder process.
- Plating: Zinc Cr3+, white color.
- Packaging spec: see GS-14-920.

rev	ecn no	dr	date
A	LS05-0123	LGO	2006/01/12
B	LS06-0095	LGO	2006/06/24
C	110-0056	AMR	2010/02/22
D	111-0022	AMR	2011/01/25
E	111-0070	AMR	2011/04/18
F	ELX-H-01693	PK	2012/05/22

www.fciconnect.com		surface	ISO 1302	tolerance std	ISO 406 ISO 1101	projection	mm
Dr	GOISNARD	ANGULAR	✓	±0.1	0.X	⊕	Scale
Eng	PESSON	LINEAR		±0.1	0.XX	A3	5
Chr	ABHILASH	0.XX ±2		±0.1	0.XXX	ECN	ELX-H-011693
Appr	SUDHIR	Product family		D-SUB	Spec ref		
FCI		LEVER LOCKS FEMELLE		C01-8655-1652		Rev. F	
catalog no		(SHELL SIZE 09 15 25 37 50 )		CUSTOMER		sheet 1 of 1	

European Views