

Blue PLCC4 Surface Mount LED

OVSABBC2R8

- High intensity with low power consumption
- White PLCC4 packaged in 8mm tape on 7" diameter reel
- Compatible with automatic placement equipment
- Dimensions: 3.5x2.8x1.95mm
- 120° viewing angle

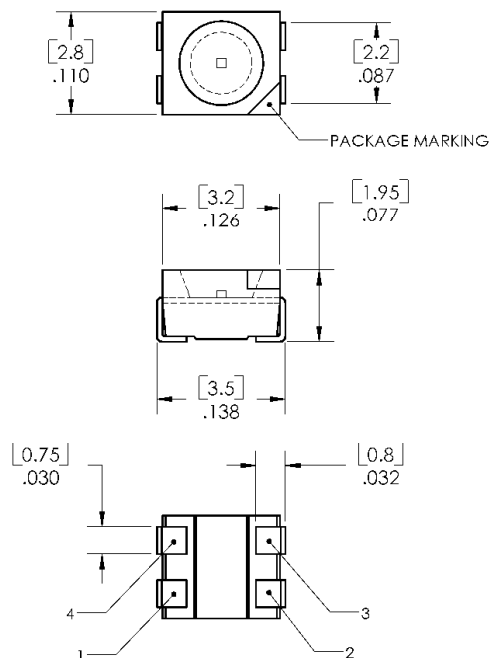


The OVSABBC2R8 is designed for wide angle, uniform light output. Its internal reflector and colorless clear lens optimize luminous intensity and make it ideal for backlighting applications and for coupling with light guides.

Applications

- Traffic Lights
- Signal and Symbol Luminaire
- Mono-color Indicators
- Backlighting (LCD, Switches, Displays, Illuminated Advertising)
- Interior Automotive Lighting (Instrumentation Clusters)
- Safety Marker Lights (Steps, Exit Ways)

Part Number	Material	Emitted Color	Intensity Typ. mcd	Lens Color
OVSABBC2R8	InGaN	Blue	200	Water Clear



1, 2, 3 CATHODE 4 ANODE
DIMENSIONS ARE IN INCHES AND [MILLIMETERS].



Data is subject to change without prior notice.

Blue PLCC4 Surface Mount LED

OVSABBC2R8



Absolute Maximum Ratings

$T_A = 25^\circ\text{C}$ unless otherwise noted

Storage Temperature Range	-40 ~ +100°C
Operating Temperature Range	-40 ~ +100°C
Junction Temperature	110°C
Junction/Ambient ¹	350°C/W
Junction/Solder Point	200°C/W
Reverse Voltage	5 V
Continuous Forward Current	30 mA
Peak Forward Current (10% Duty Cycle, PW ≤ 100 μsec)	100 mA
Power Dissipation	140 mW

Note:

1. R_{th} test condition: Mounted on PC board FR 4 (pad size ≥ 16mm²)

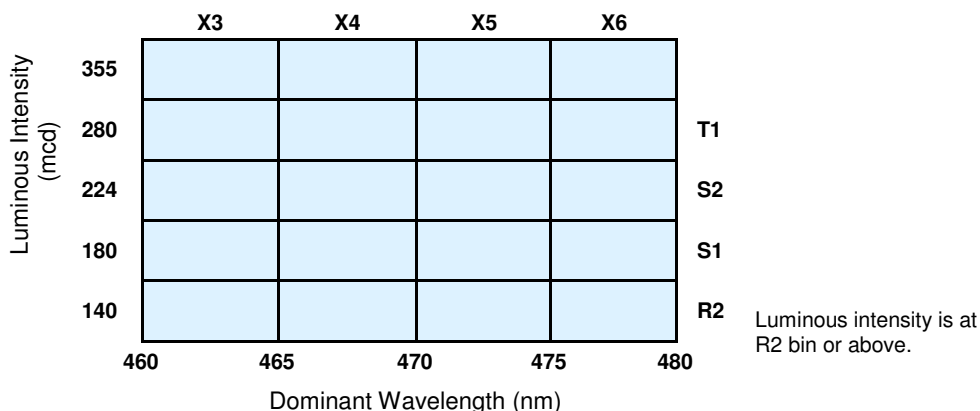
Electrical Characteristics

$T_A = 25^\circ\text{C}$ unless otherwise noted

SYMBOL	PARAMETER	MIN	TYP	MAX	UNITS	CONDITIONS
I_V	Luminous Intensity	140	200	----	mcd	$I_F = 30\text{mA}$
V_F	Forward Voltage	----	3.9	4.6	V	$I_F = 30\text{mA}$
I_R	Reverse Current	----	----	10	μA	$V_R = 5\text{V}$
λ_D	Dominant Wavelength	460	470	480	nm	$I_F = 30\text{mA}$
$2\ \Theta_{1/2}$	50% Power Angle	----	120	----	deg	$I_F = 30\text{mA}$

Standard Bins ($I_F = 30\text{mA}$)

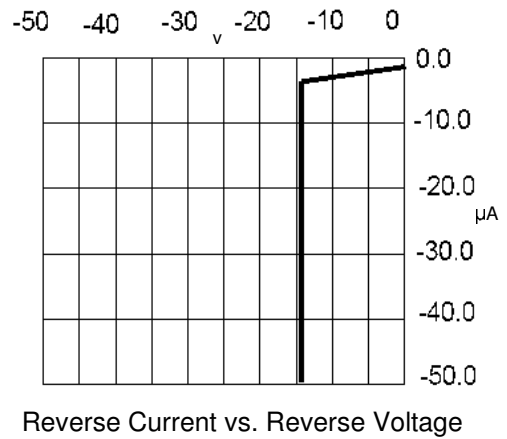
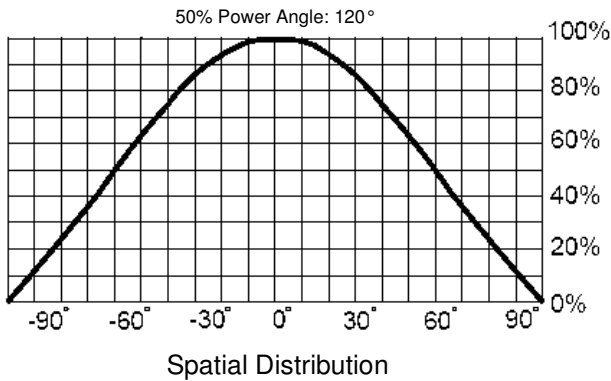
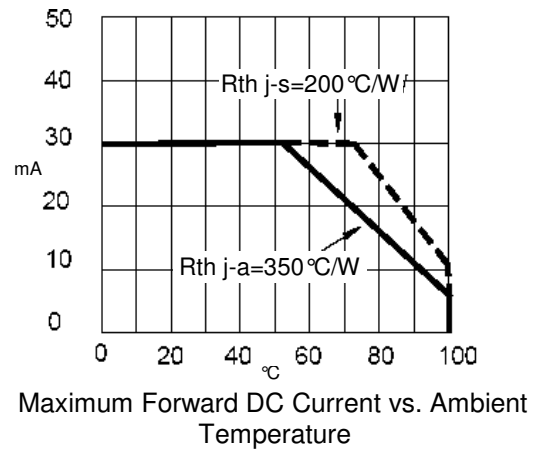
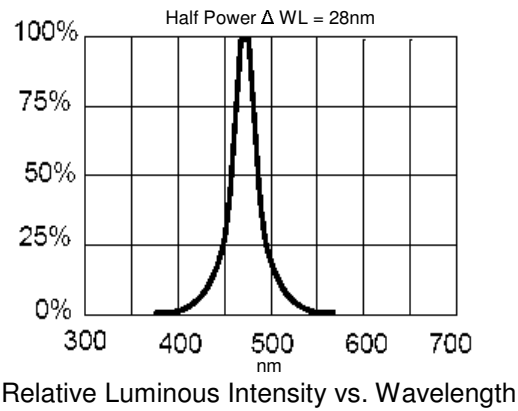
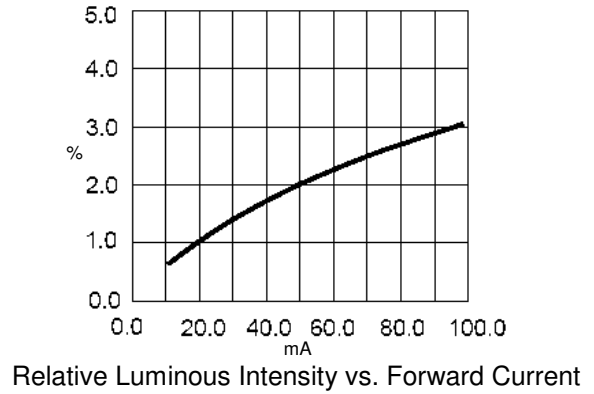
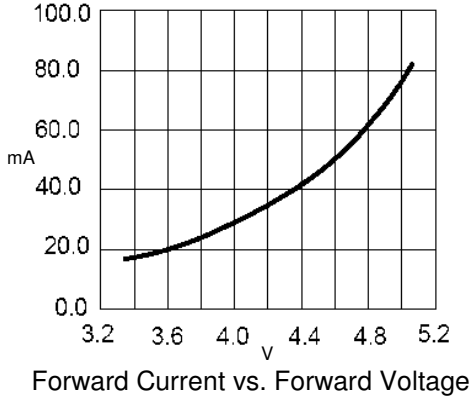
Lamps are sorted to luminous intensity (I_V) and dominant wavelength (λ_D) bins shown. Orders for OVSABBC2R8 may be filled with any or all bins contained as below.



Important Notes:

1. All ranks will be included per delivery, rank ratio will be based on the chip distribution.
2. To designate luminous intensity ranks, please contact OPTEK.

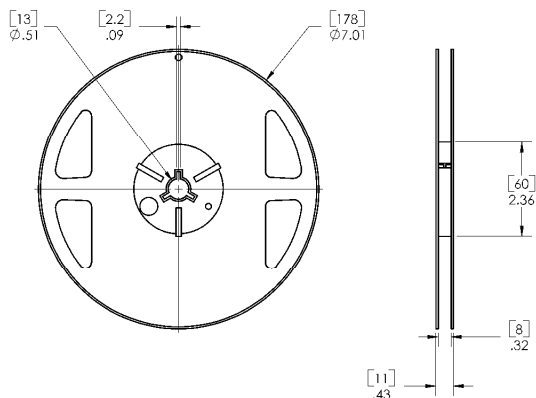
Typical Electro-Optical Characteristics Curves



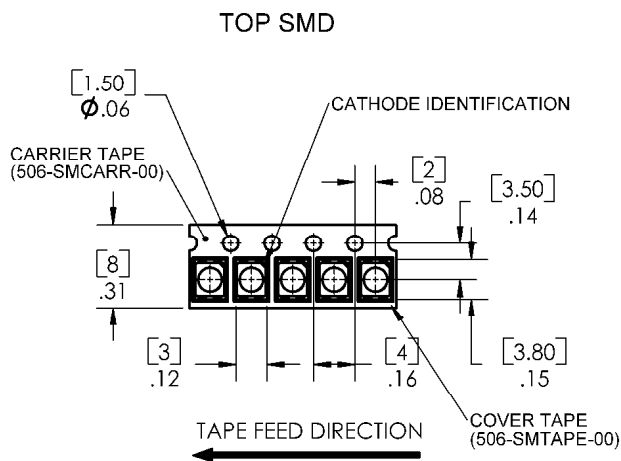
Blue PLCC4 Surface Mount LED

OVSABBC2R8

Reel Dimensions (7 Inch)



Carrier Tape Dimensions: Loaded Quantity 2000 PCS per Reel



Moisture Resistant Packaging

