

83731 / 83732 / 83733 Top-mounted plunger with roller Part number 837323



- Adjustable threaded barrel fixing

Part numbers

Type	Features	Version
83 732 3 Top-mounted plunger with roller	-	Single-pole

Specifications

Conformity to standards	NFC 20030 : Class I (the plunger is operated manually by an earthed metal part or by an insulated part which provides additional insulation).
Protection	IP 56 - IP 66 depending on type
Version	Single-pole
Function	3-terminal single break two-way contact element (form C : changeover)

Electrical characteristics

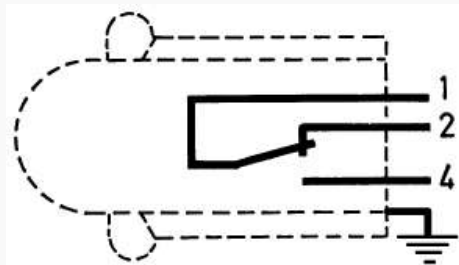
Assigned operating current (Ie)	5 A / 250 V
Thermal current I (A)	12

Connections

Cable	PVC (A05 - VV - F), length 0.50 m 3 conductors cross-section 0.75 mm ² Sheathed ext. Ø : 7.6 mm
Electrical protection	Earthing terminal for version 83 731 and 83 732
Approvals	-

Minimum operating force (N)	15
Minimum total travel force (N)	35
Differential travel (mm)	2
Minimum operating travel (mm)	0,2
Maximum total travel (mm)	6
Mechanical life (millions of operations) mini.	10 ⁶
Operating temperature (°C)	-5 → +70
Protection °C	IP56
Weight (g)	120

Principles



Function

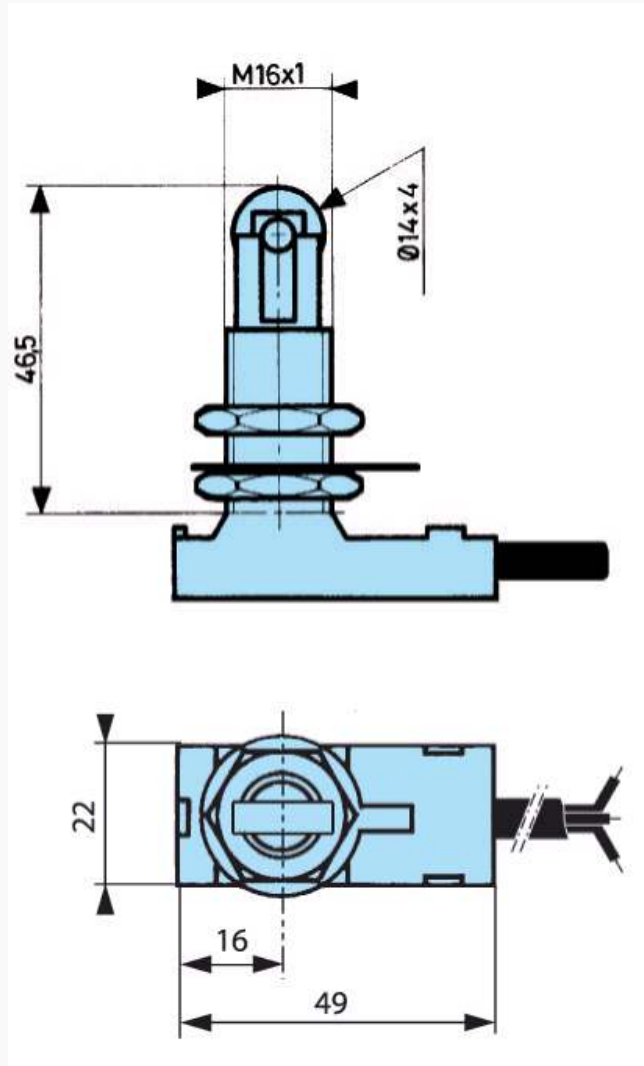
3-terminal single break two-way contact element (form C : changeover).

N°	Legend
①	Black (common)
②	Brown (NC)

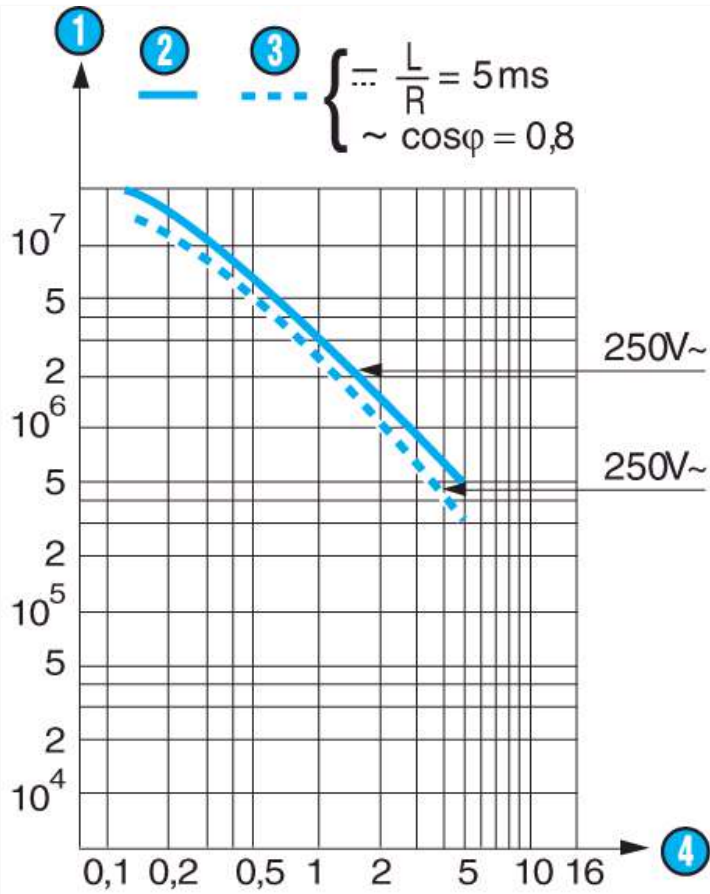
Dimensions (mm)

Product

83 732 3



Curves



N°	Legend
1	Number of operations
2	Resistive circuit
3	Inductive circuit
4	Current in Amps