

5

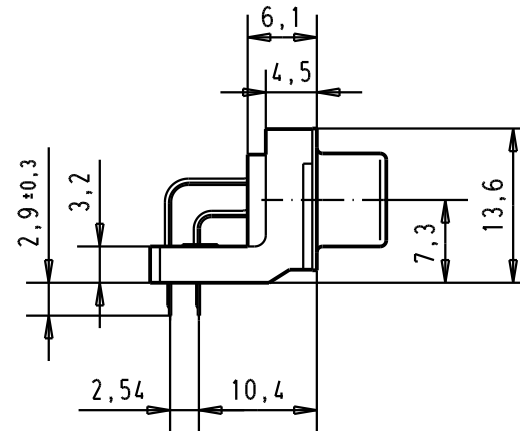
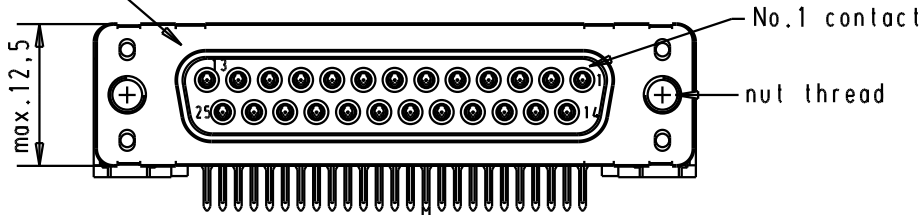
4

3

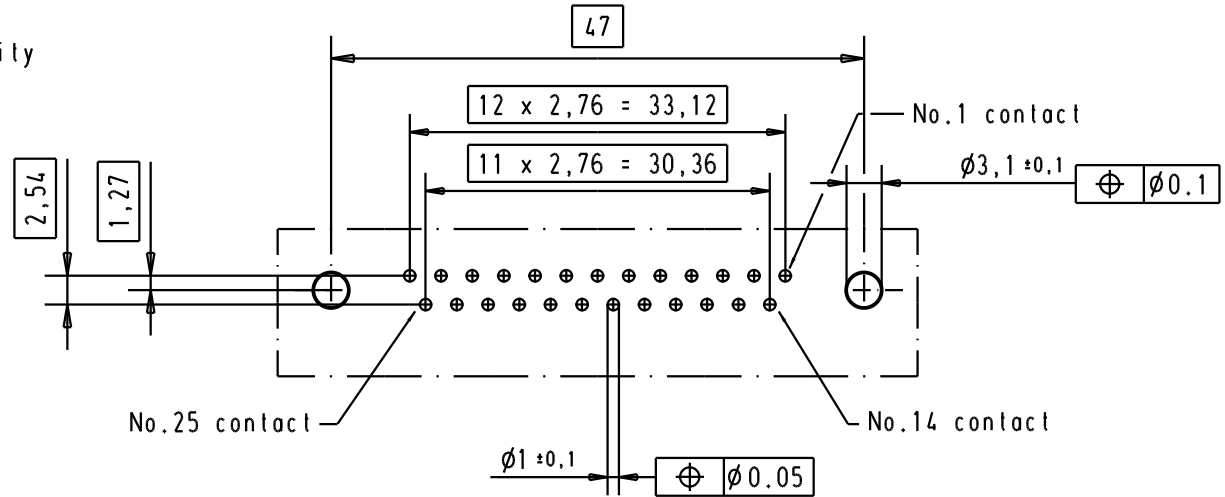
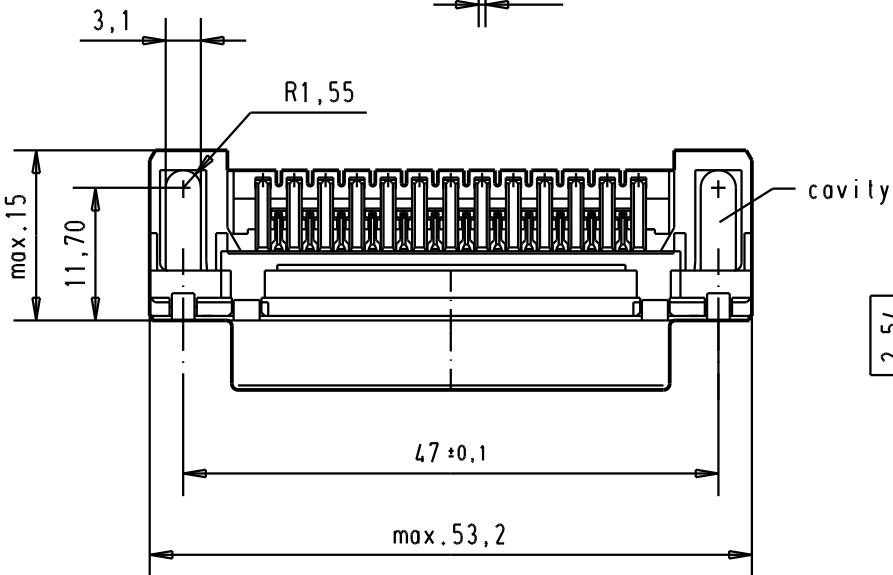
2

1

Mating face according to : MIL-C-24308 / DIN 41652 / CECC 75301-802

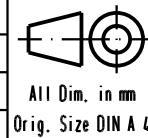


Printed board layout component side



09 66 312 3601	M 3	1						
09 66 312 6601	M 3	2						
09 66 312 7601	M 3	3						
09 66 312 3602	4-40 UNC	1	31892	05/05/04	JH			
09 66 312 6602	4-40 UNC	2	29773	18-APR-02	CV			
09 66 312 7602	4-40 UNC	3	27960	28/nov/00	ALSPACE			
Part number	Nut thread	Performance level	Mod.	Dat.	Name			

	Dat.	Name
Detail.	28/nov/00	ALSPACE
Insp.		
Stand.		



D-Sub 25 poles standard angle female, solder pin with nut and hole

Moßstab/
Scale
1.5:1

HARTING EURL
F-95972 Paris



TB 0966312x60x

Blatt/ Page
2

Sub.