



Mallory Sonalert Products, Inc.

Part #:

JR28-R-4

Sales Outline Drawing

Revision:

A

Specifications:

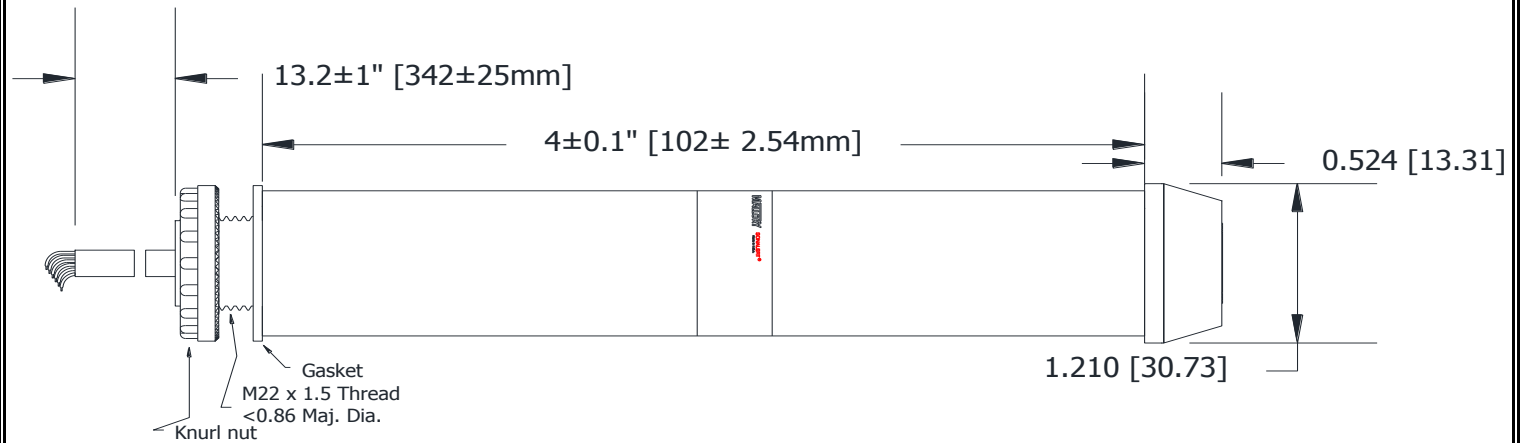
Voltage Rating	20 to 28 VAC/DC
LED Color	RED
LED Current Draw	60mA MAX
Total Max Current Draw	60mA MAX
Housing Material	6/6 Nylon, Color: Black
Top Cap Material	6/6 Nylon, Color: Opaque White
Storage Temperature	-40° to +70° C
Operating Temperature	-30° to +60° C
Mounting	Recommended hole size is 22.5 mm.
Knurled Nut	The max recommended torque is 10 in-lbs.
Cable	Gray, UL Style 21894, 300V, 105°C, 24AWG, Pb-Free Tinned Leads
Weight (Typical)	105 grams
NEMA 12	Approved with use of included gasket.
Options	Please contact factory.

Dimensions:

Inches (mm)

cUL Recognized

ROHS Compliant



Connections:

TOP BROWN wire and RED wire to Power