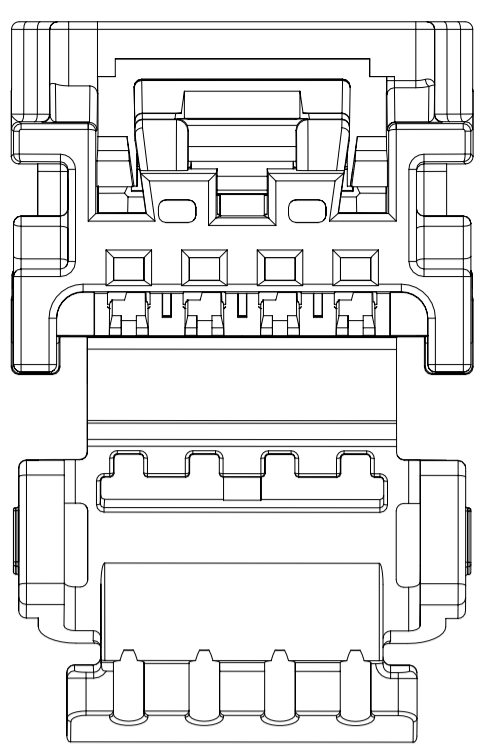
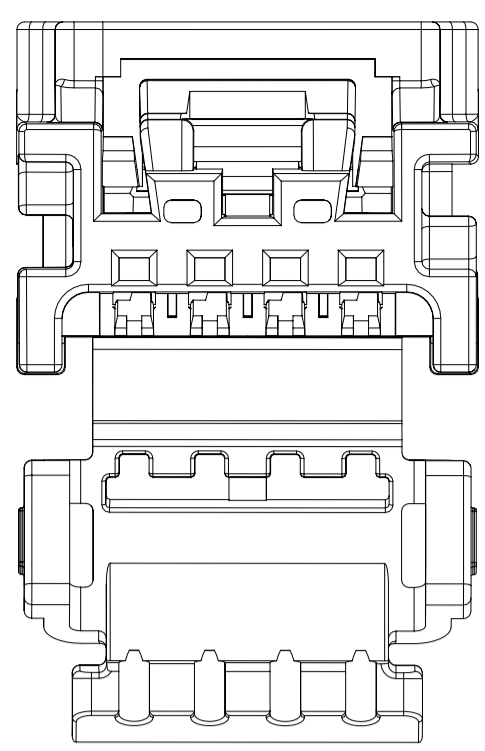


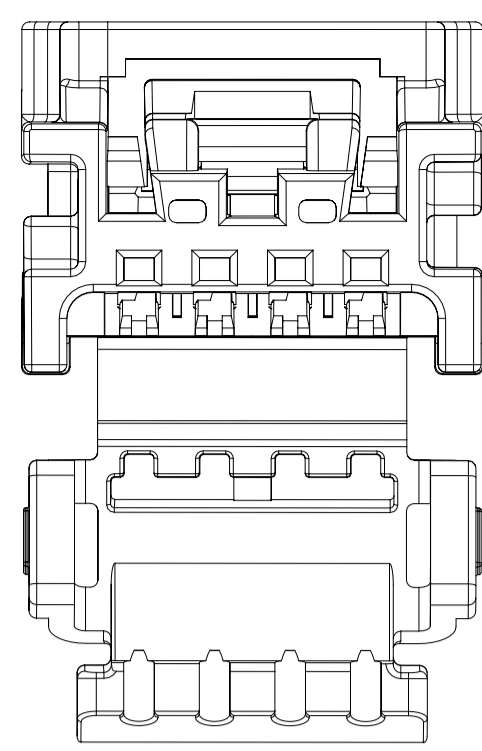
4CKT BRIDGED RECEPTACLE WITH CPA POLARIZATION OPTION A



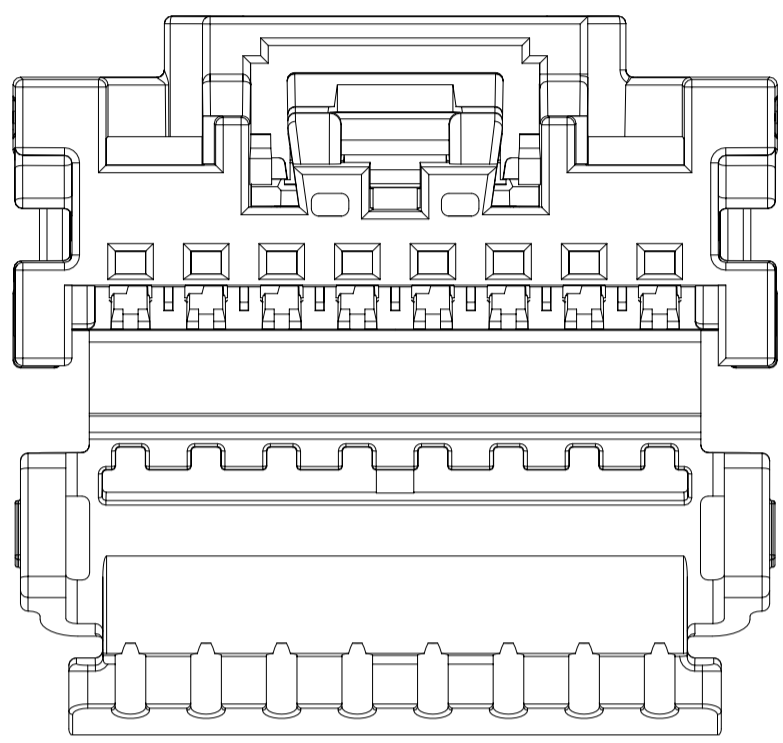
4CKT BRIDGED RECEPTACLE WITH CPA POLARIZATION OPTION B



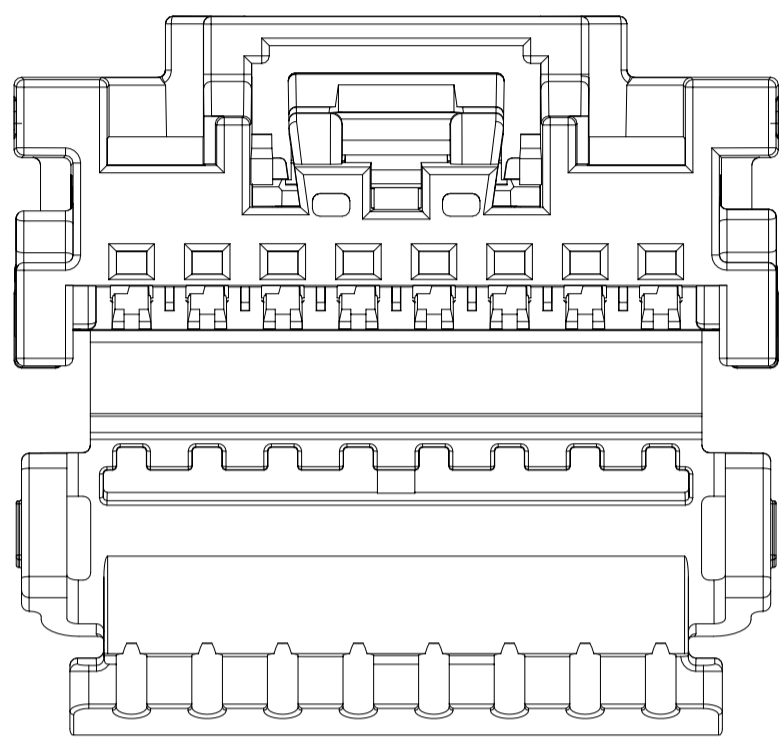
4CKT BRIDGED RECEPTACLE WITH CPA POLARIZATION OPTION C



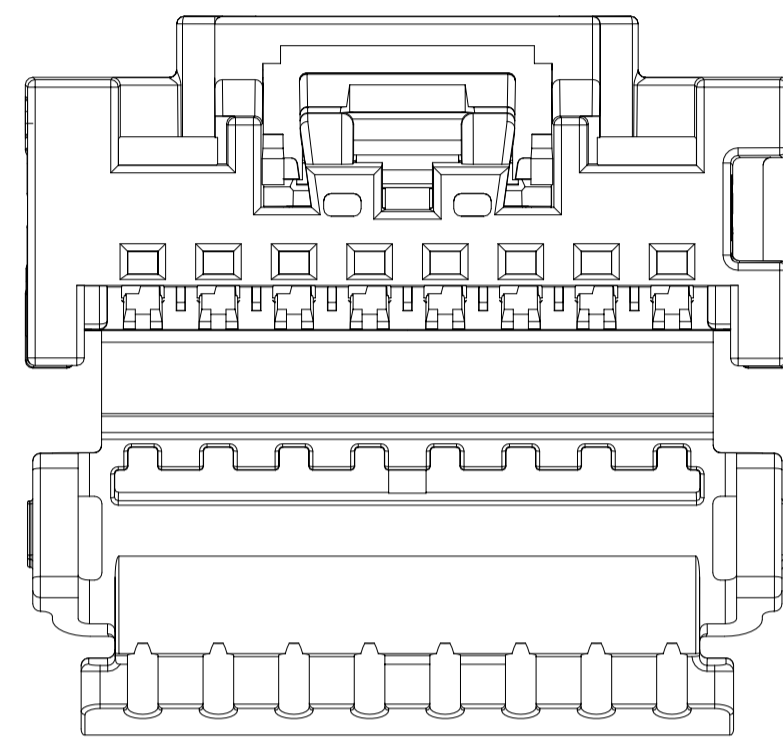
4CKT BRIDGED RECEPTACLE WITH CPA POLARIZATION OPTION D



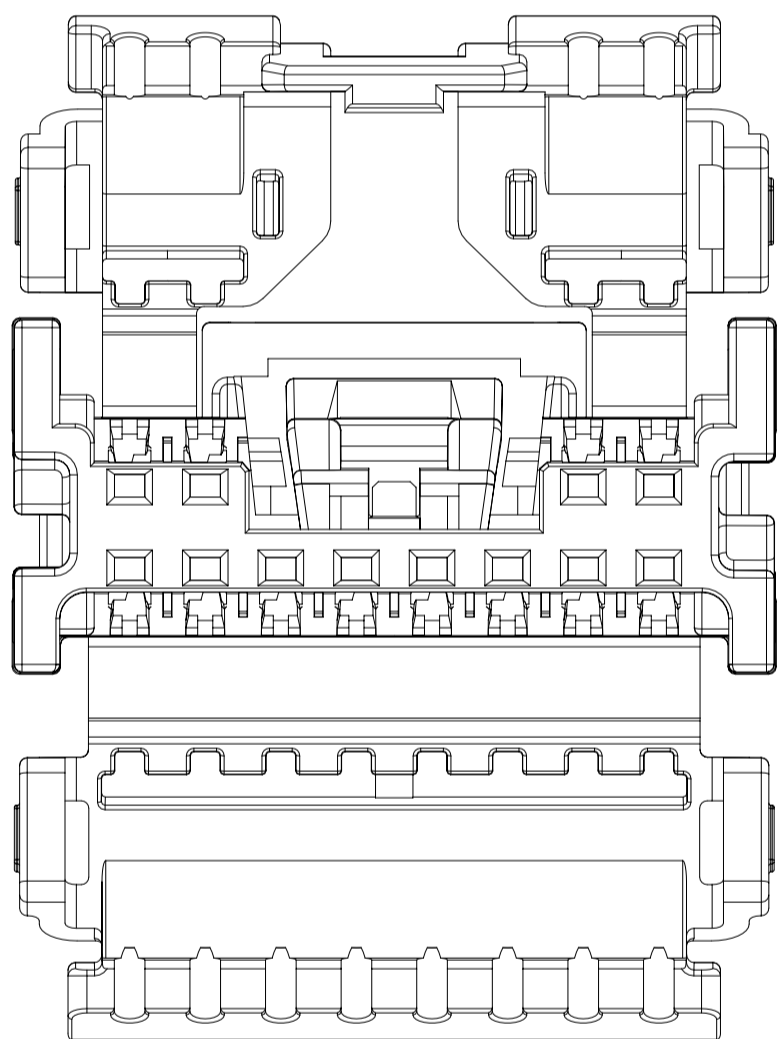
8CKT BRIDGED RECEPTACLE WITH CPA POLARIZATION OPTION A



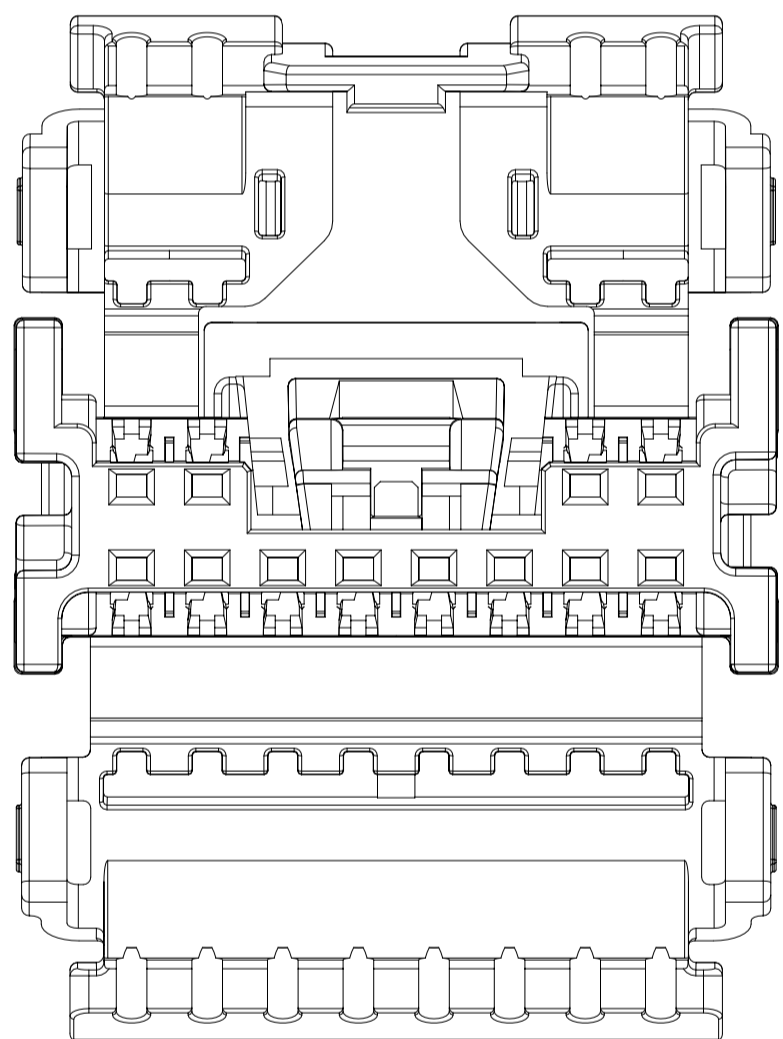
8CKT BRIDGED RECEPTACLE WITH CPA POLARIZATION OPTION B



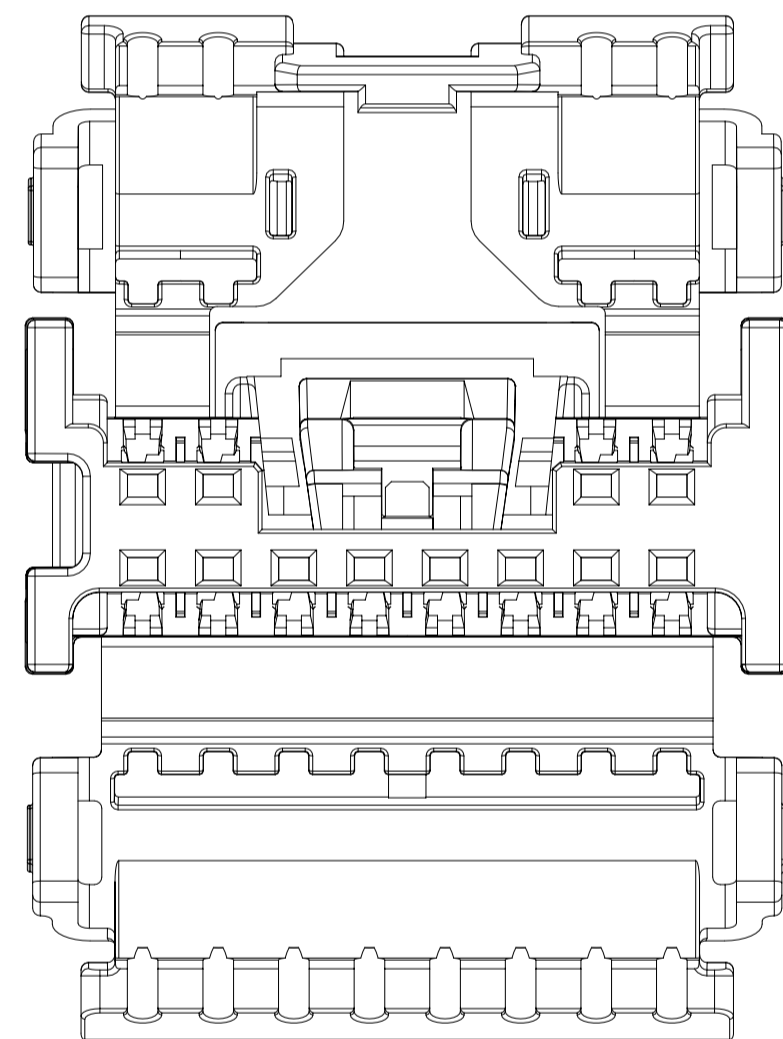
8CKT BRIDGED RECEPTACLE WITH CPA POLARIZATION OPTION C



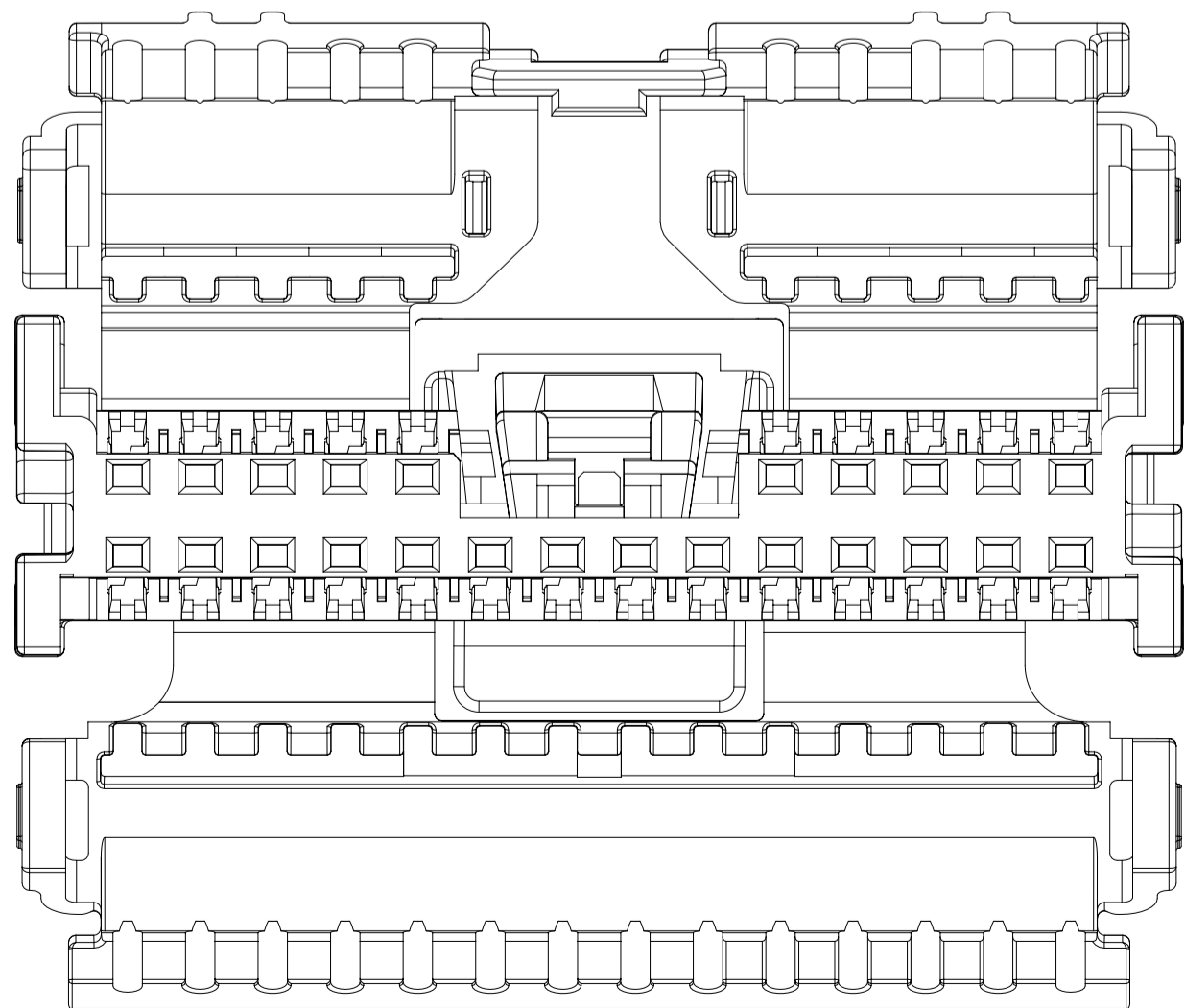
12CKT BRIDGED RECEPTACLE WITH CPA POLARIZATION OPTION A



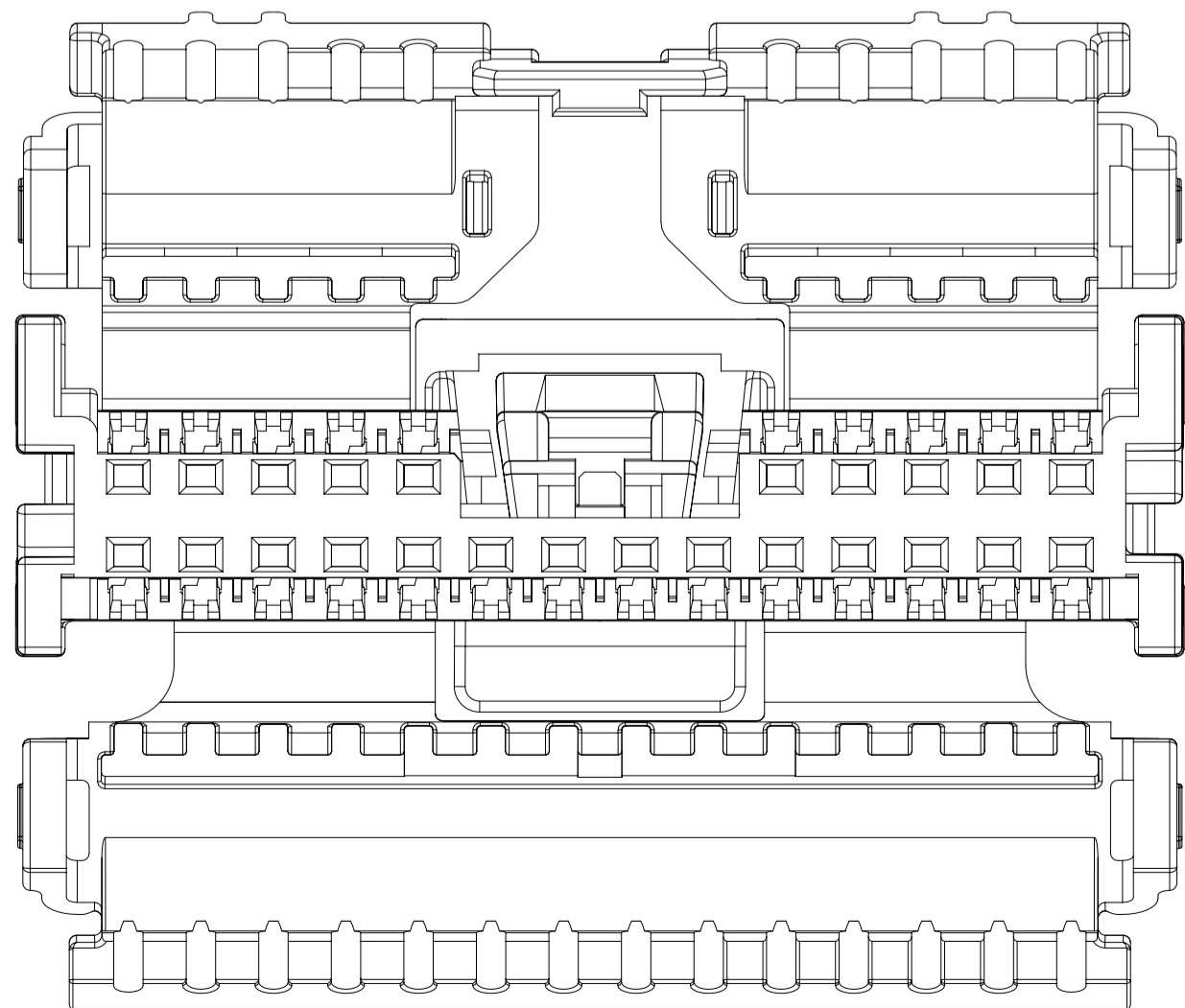
12CKT BRIDGED RECEPTACLE WITH CPA POLARIZATION OPTION B



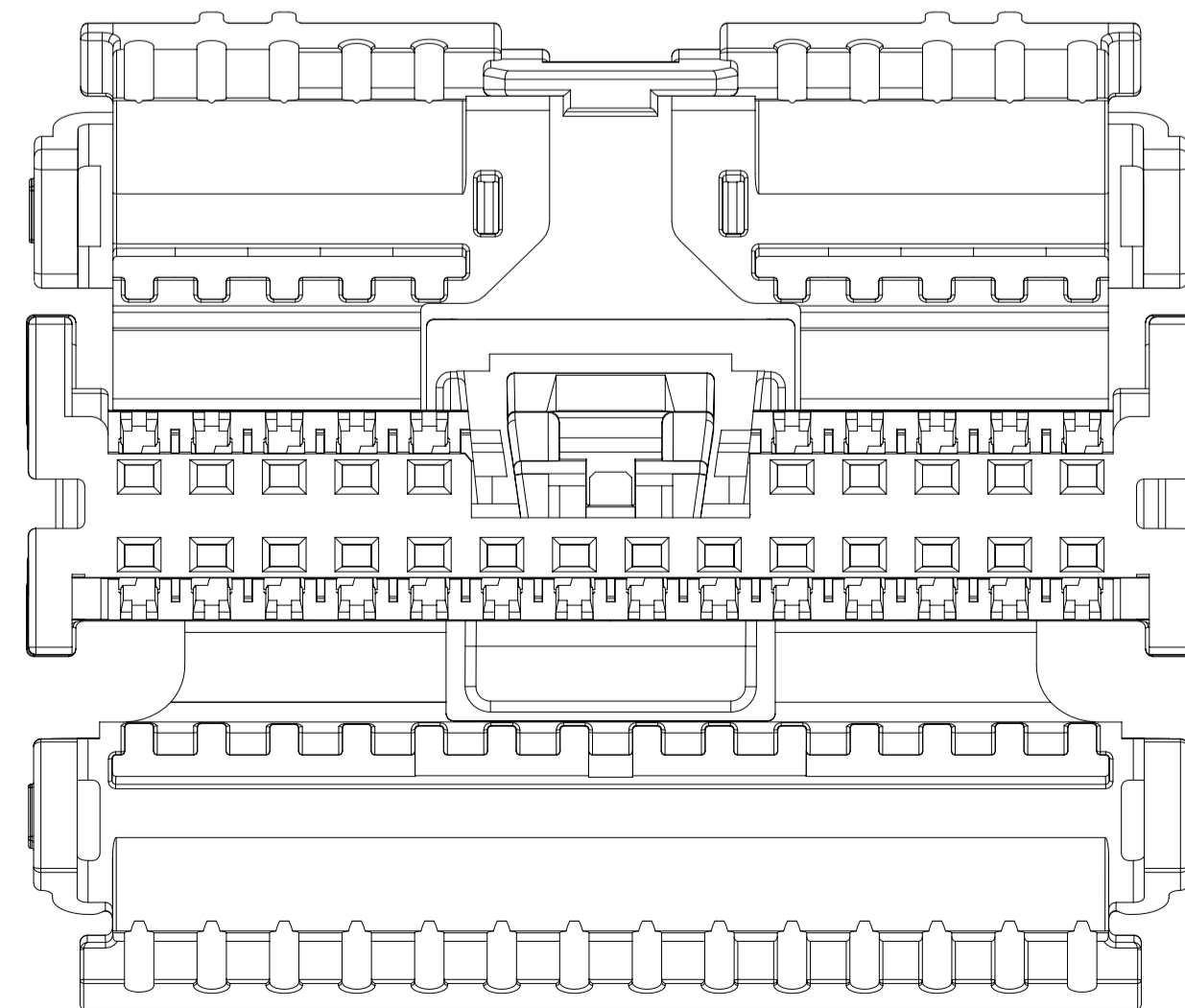
12CKT BRIDGED RECEPTACLE WITH CPA POLARIZATION OPTION C



24CKT BRIDGED RECEPTACLE WITH CPA POLARIZATION OPTION A



24CKT BRIDGED RECEPTACLE WITH CPA POLARIZATION OPTION B



24CKT BRIDGED RECEPTACLE WITH CPA POLARIZATION OPTION C

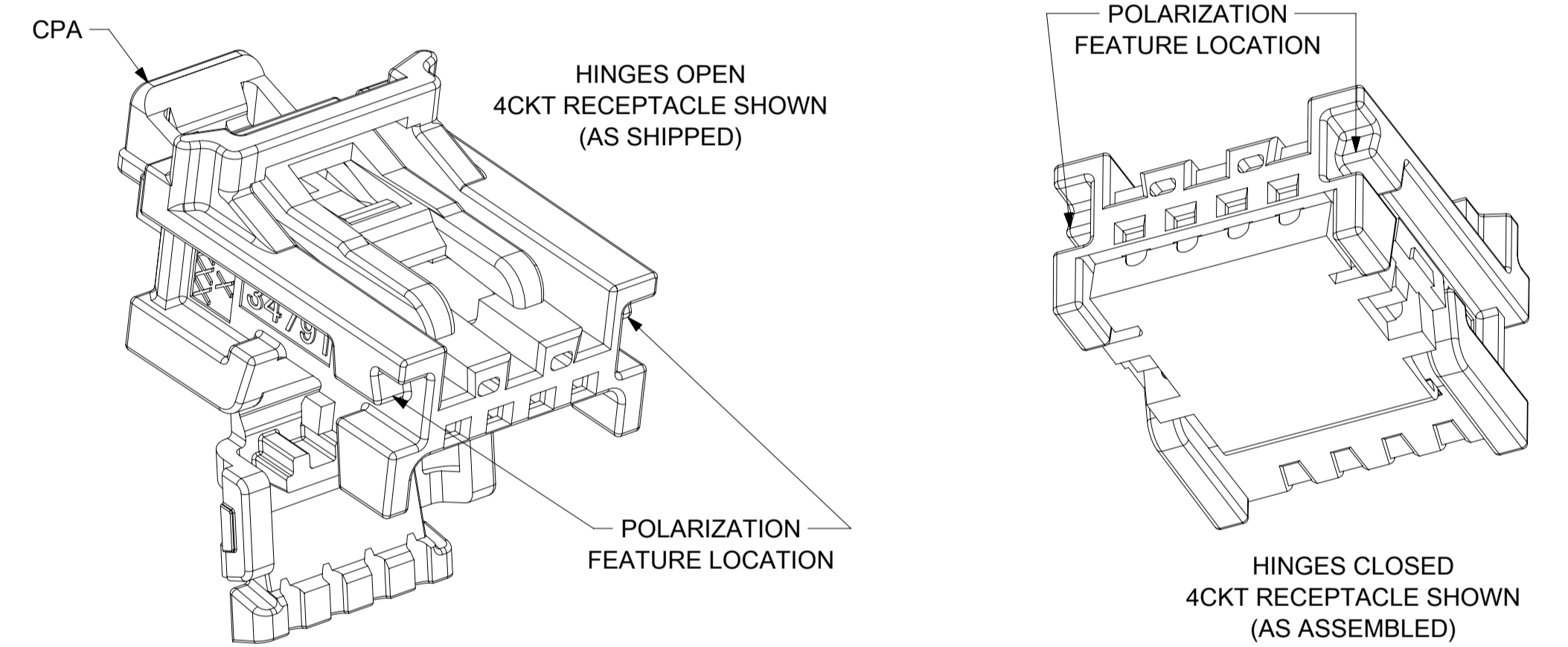
NOTES: VALID UNLESS OTHERWISE SPECIFIED

1. GENERAL:
 - a. APPLICATION SPECIFICATION SEE: AS-34791-020
 - b. PRODUCT SPECIFICATION SEE: PS-34791-020
 - c. PACKAGING SPECIFICATION PER MOLEX DRAWING: SEE CHART
 - d. PARTS MUST BE IN COMPLIANCE TO MOLEX CHEMICAL SUBSTANCES FOR PRODUCTS AND PACKAGING SPECIFICATION: QEHS-699000-301
 - e. DATA MUST BE SUBMITTED UNDER THE MOLEX PART NUMBER TO IMDS (COMPANY ID#13255)
 - f. FLAMMABILITY REQUIREMENT: PER ISO3795 OR GM3191
 1. BURN RATE 100 mm/MIN MAXIMUM
 2. MATERIAL MUST BE SELF EXTINGUISHING
 - g. VISUAL DEFECTS SHALL MEET COSMETIC STANDARD PS-45499-002 (Class B)
 - h. FOR TERMINAL USAGE, REFER TO MOLEX SALES DRAWING SD-560023-002

2. DESIGN - MATERIALS:
 - a. SEE BOM FOR MATERIAL INFORMATION

3. DESIGN - GEOMETRY:
 - a. THIS IS A 100% CAD GENERATED PART. THE CAD MATHEMATICAL DATA IS THE MASTER FOR THIS PART. FOR DIMENSIONAL OR ANY INFORMATION NOT SHOWN ON THIS DRAWING, ANALYZE THE CAD MODEL.
 - b. GEOMETRIC DIMENSIONS AND TOLERANCES PER ASME Y14.5 - 2009
 - c. GENERAL TOLERANCES:
 - LINEAR: REFER TO DRAWING FRAME
 - ANGULAR: ±3°
 - d. EDGES AND UNDIMENSIONED DETAILS PER ISO13715
 - e. CORNERS SHOWN AS SHARP TO BE R 0.2 MAX
 - f. LETTERING SHALL BE 0.1 MAX RAISED IN 0.15 MAX RECESS PAD AND NOT PROTRUDE THE SURFACE. THIS INCLUDES RECYCLING CODE, PLANT ID, CAVITY ID, VENDOR ID, CIRCUIT ID, AND PART SERIES NUMBER.
 - g. DIMENSION APPLIES ONLY TO RECEPTACLES WITH LOCK BRIDGE OPTION.

4. DESIGN - FUNCTIONALITY:
 - a. HINGE DOES NOT AFFECT FUNCTION OF THE PART.



M15	SHEET1: UPDATED NOTES INFORMATION
M14	SHEET4: CHANGED RECYCLING CODE TO "XXXX" FOR DUAL ROW ONLY; WAS "PBT."
M13	SHEET 4: UPDATED GM PNs FOR 20CKT
M12	SHEET 4: UPDATE CTX50 BOM PNs FOR SMALL GRIP TERMINAL
M11	SHEET 1: REMOVED NOTE 1h SHEET 4: REMOVED PBT RCPT MATING COMPONENTS FOR 16-24CKT ON BOM TABLE
M10	SHEET 1: ADDED NOTE 1h SHEET 4: ADDED NOTE SYMBOL TO BOM
M9	DRAWING REMASTERED SHEET 1: CORRECTED NOTE 2 SHEET 2-3: UPDATED VIEWS-NO GEOMETRY CHANGES SHEET 4: ADDED TAPE AND REEL P/N'S TO BOM
M8	DIMENSION ADDED ON SHEET 3
M6	ADDED DATUMS AND DATUM NOTE
M5	REMASTERING DRAWING
M2	UPDATED 24 CKT
REV	DESCRIPTION

INSPECTION BALLOON LOG
PER DRAWING REVISION: M15

LAST BALLOON USED: 21

ADDED BALLOON NUMBERS:

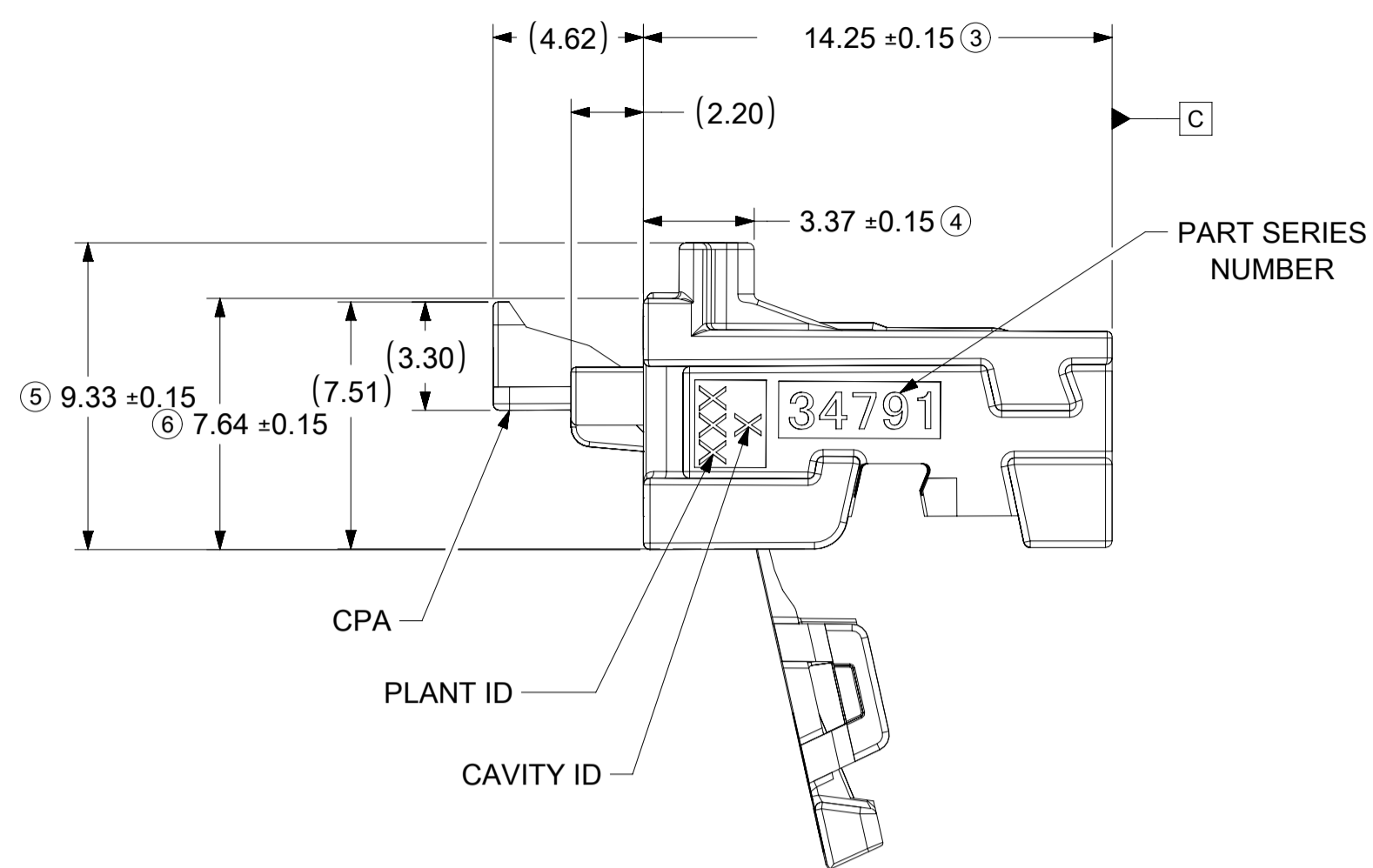
REMOVED BALLOON NUMBERS:

THIS DRAWING CONTAINS INFORMATION THAT IS PROPRIETARY TO MOLEX ELECTRONIC TECHNOLOGIES, LLC AND SHOULD NOT BE USED WITHOUT WRITTEN PERMISSION

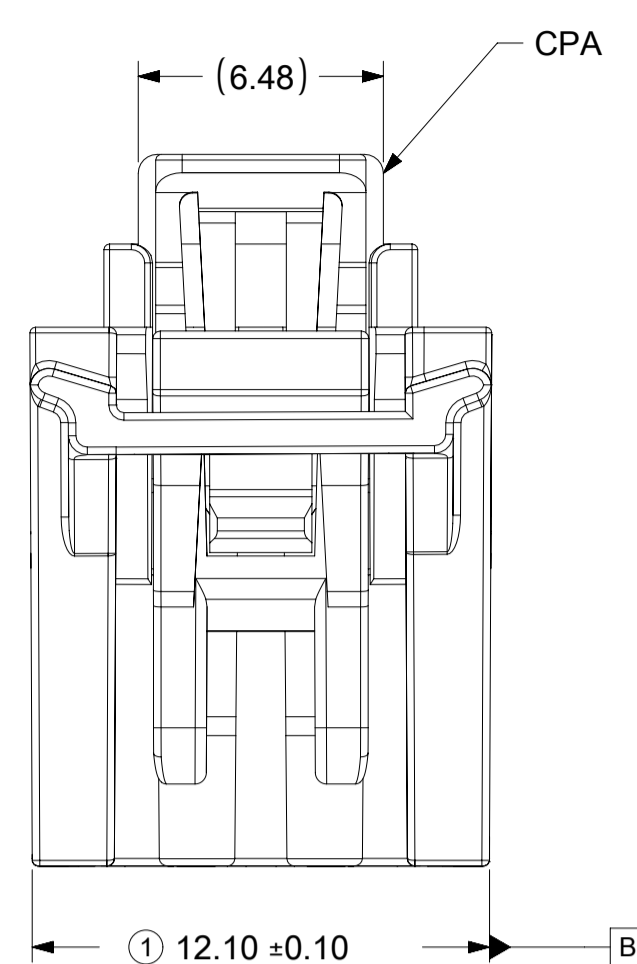
DIMENSION UNITS	SCALE	CURRENT REV DESC:		molex		
mm	5:1					
GENERAL TOLERANCES (UNLESS SPECIFIED)		EC NO: 669840		MINI50 RECEPTACLE WITH CPA SALES DRAWING		
ANGULAR TOL ± 1.0°		DRWN: SWU31				
4 PLACES ±		2021/07/12		PRODUCT CUSTOMER DRAWING		
3 PLACES ±		2021/07/13				
2 PLACES ± 0.1		2021/07/13		DOCUMENT NUMBER		
1 PLACE ± 0.2		INITIAL REVISION:				
0 PLACES ±		DRWN: TMACHUGA		SD-34824-003		
		2013/10/15				
DRAFT WHERE APPLICABLE MUST REMAIN WITHIN DIMENSIONS		APPR: RBAUMAN		DOC TYPE DOC PART REVISION		
		2013/11/13				
THIRD ANGLE PROJECTION		DRAWING		GENERAL MARKET		
A1-SIZE		SERIES				
		34824		SHEET NUMBER		
				1 OF 4		

24CKT POLARIZATIONS ARE REPRESENTATIVE OF 16CKT AND 20CKT

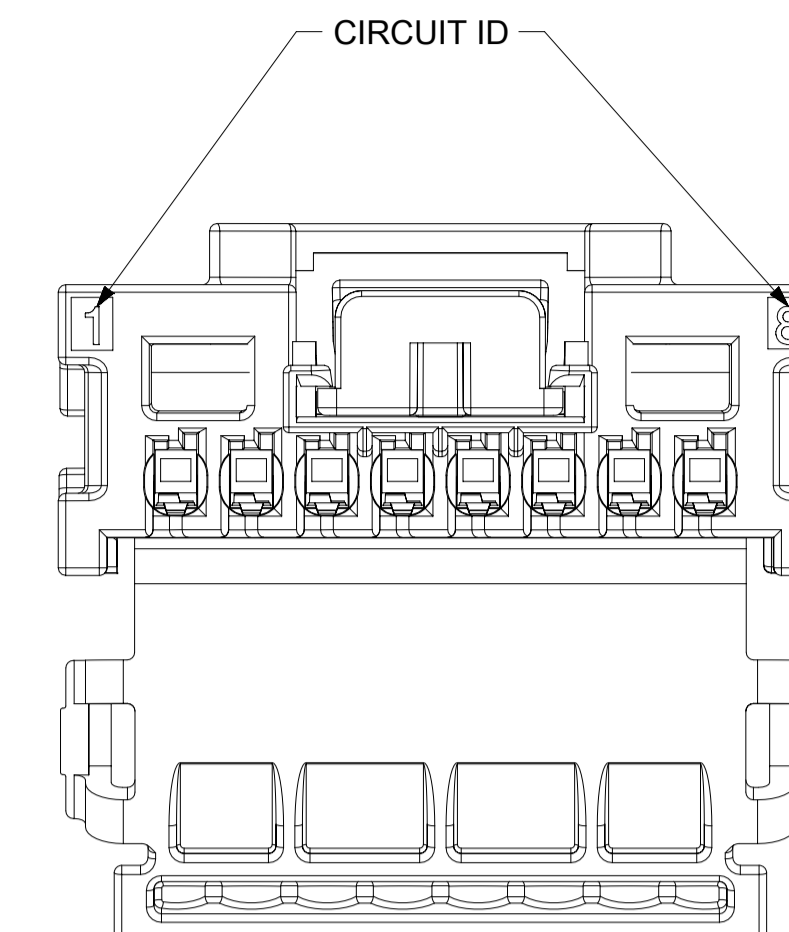
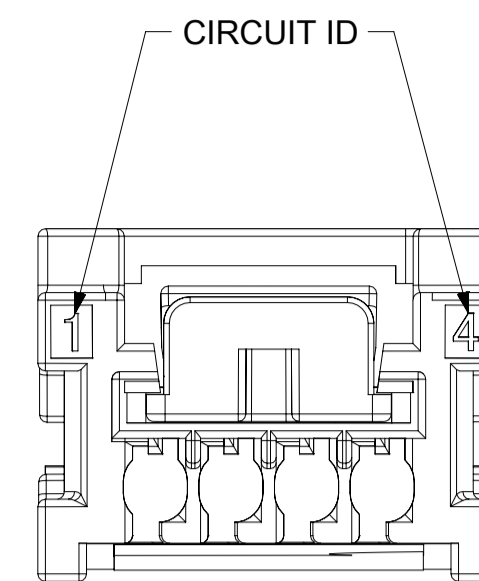
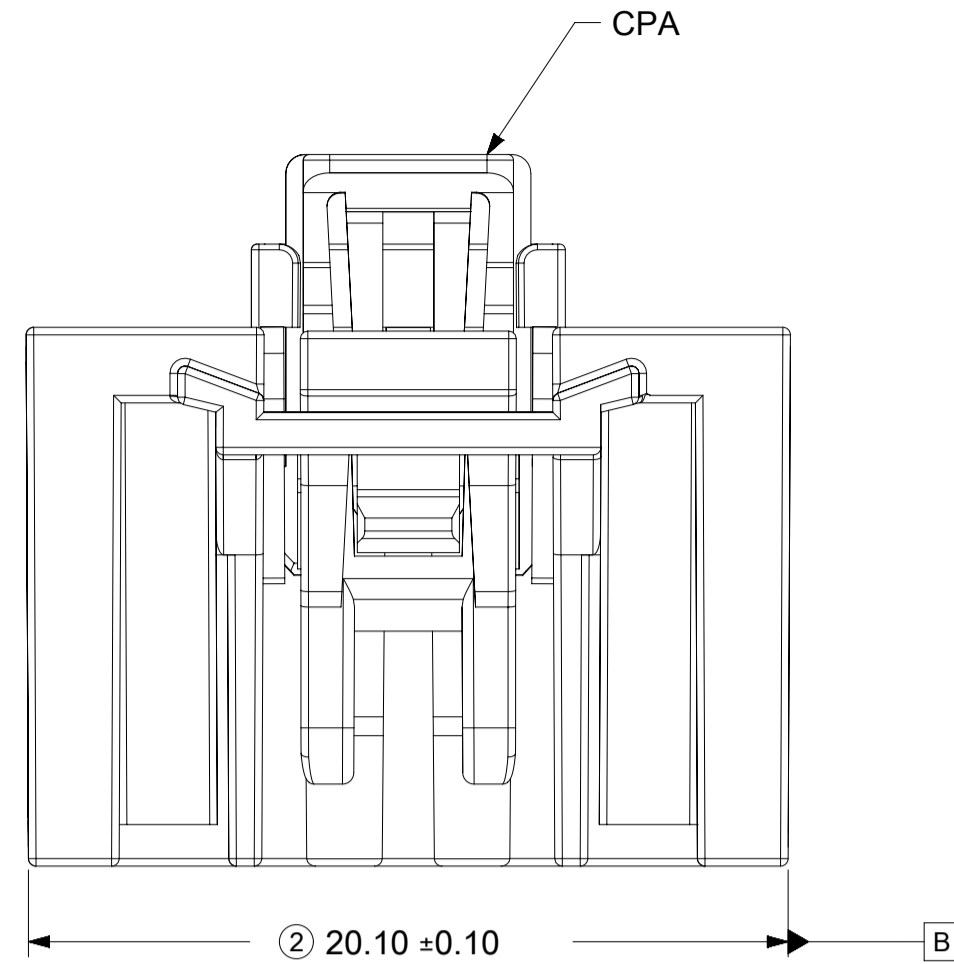
4CKT BRIDGE OPTION WITH CPA IN PRE-LOCK



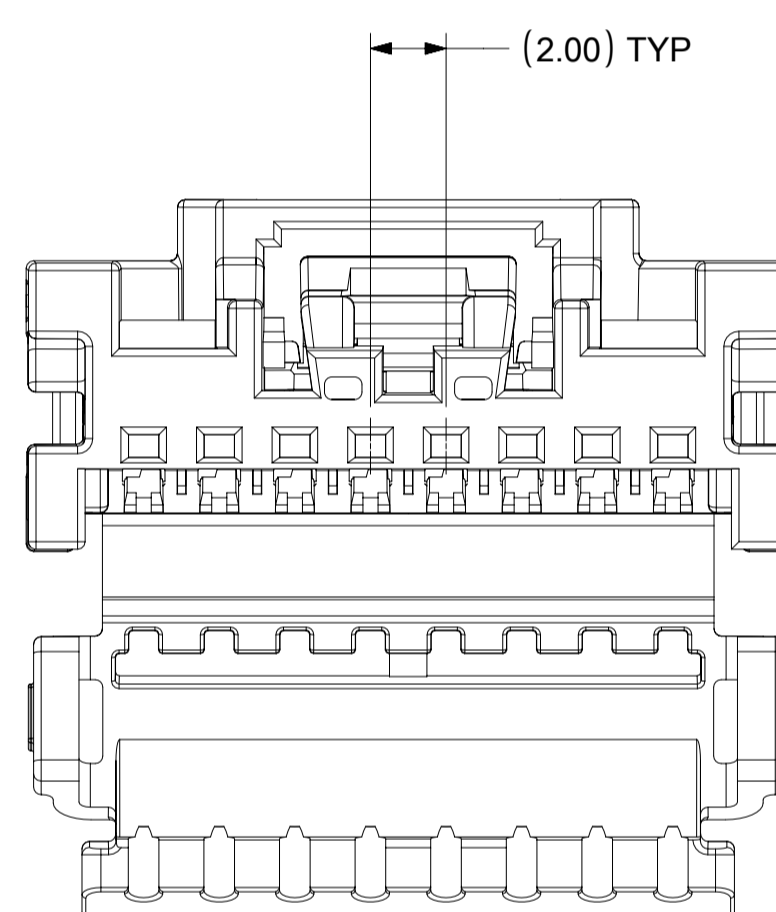
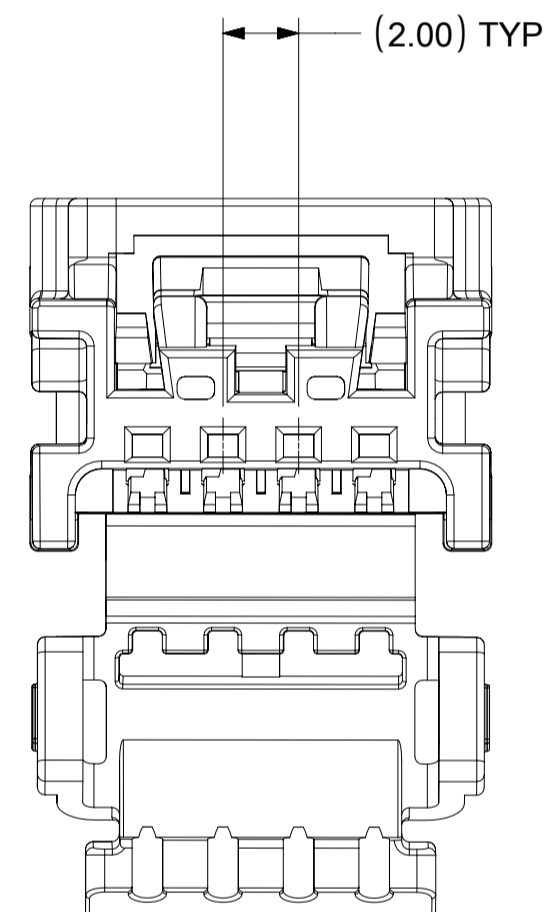
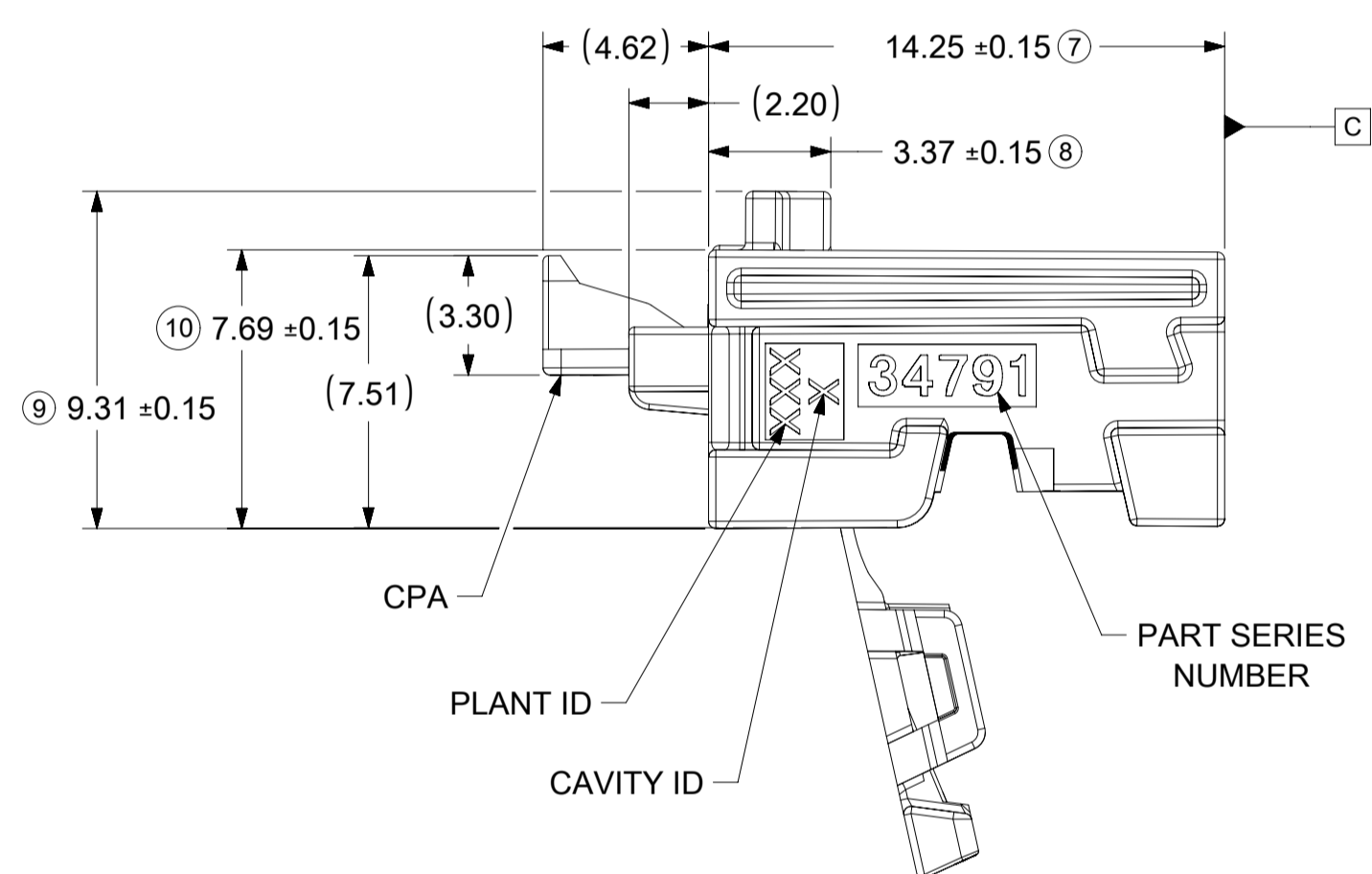
4CKT USCAR COMPATIBLE RECEPTACLE WITH CPA



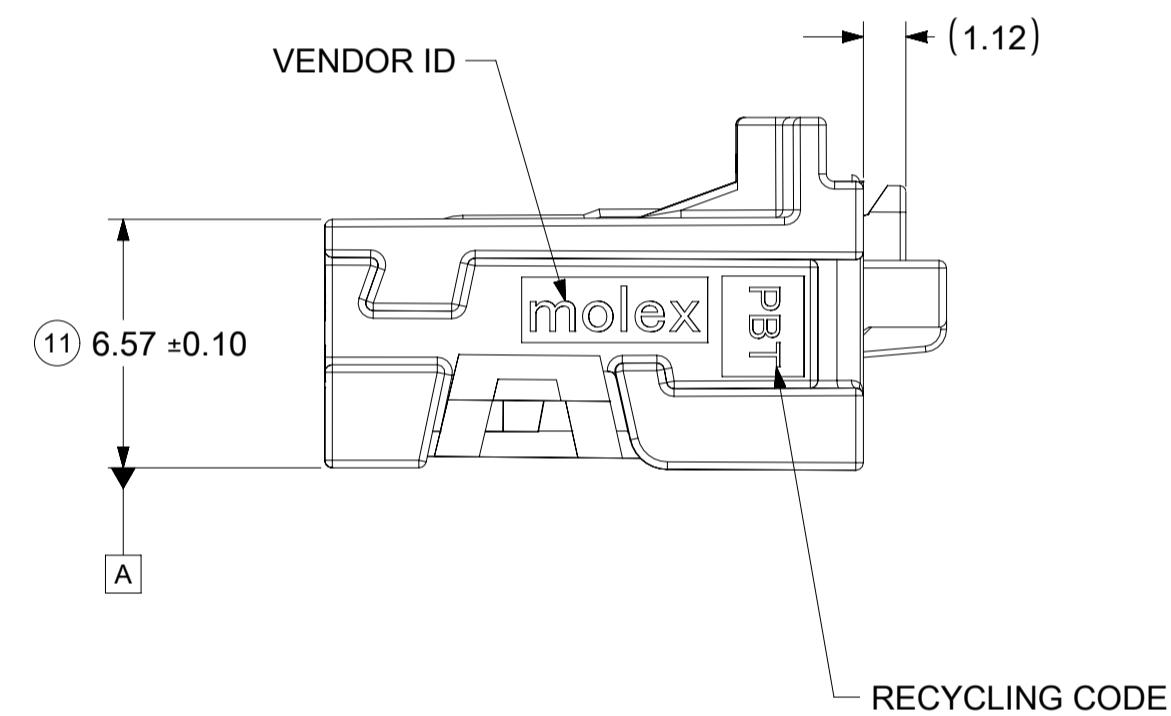
8CKT USCAR COMPATIBLE RECEPTACLE WITH CPA



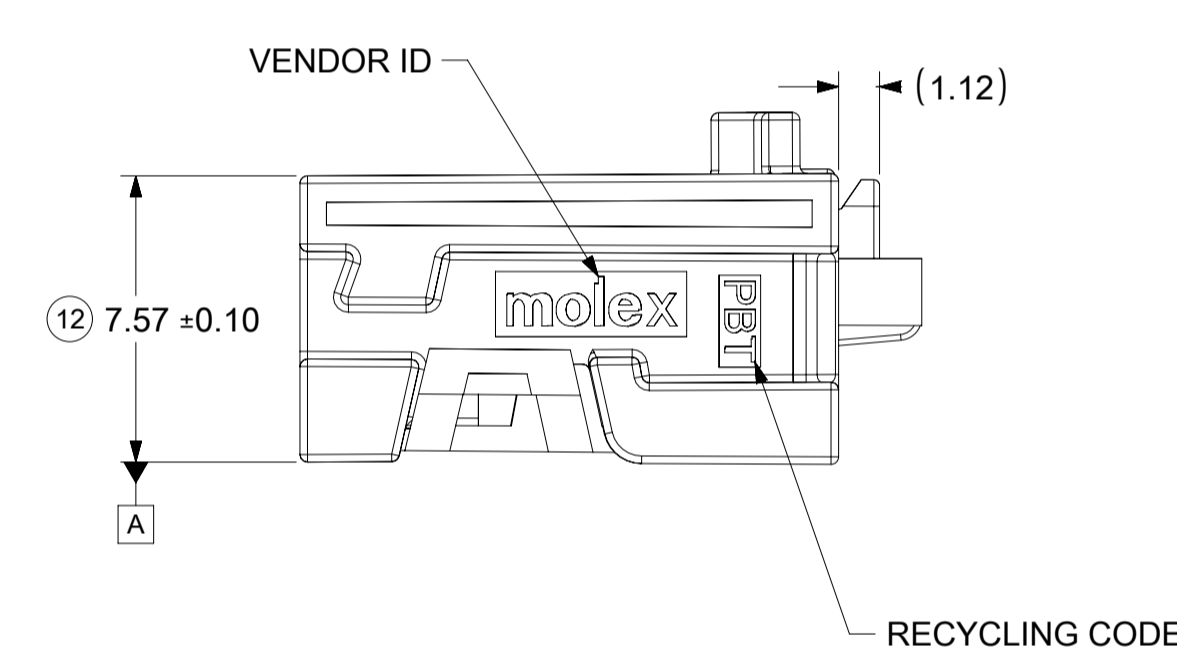
8CKT BRIDGE OPTION WITH CPA IN PRE-LOCK



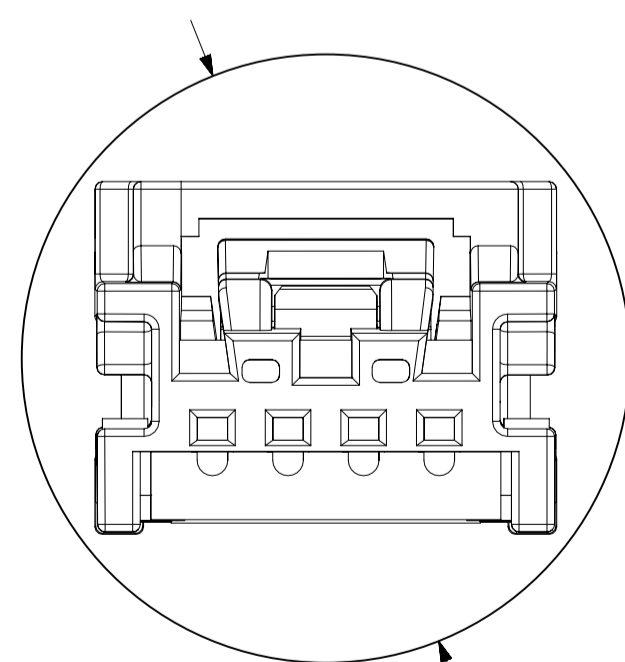
4CKT HINGE CLOSED CPA IN FINAL POSITION



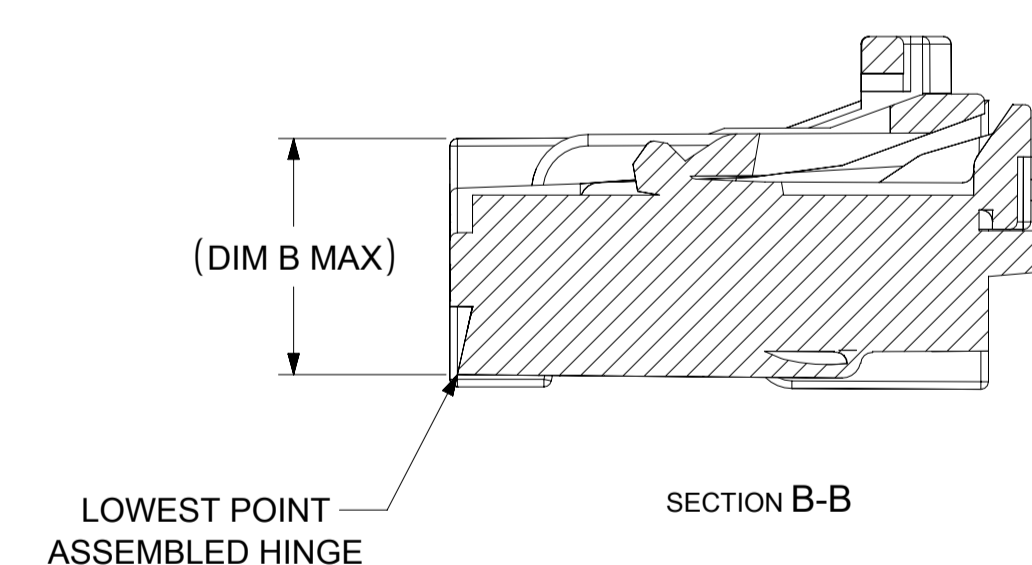
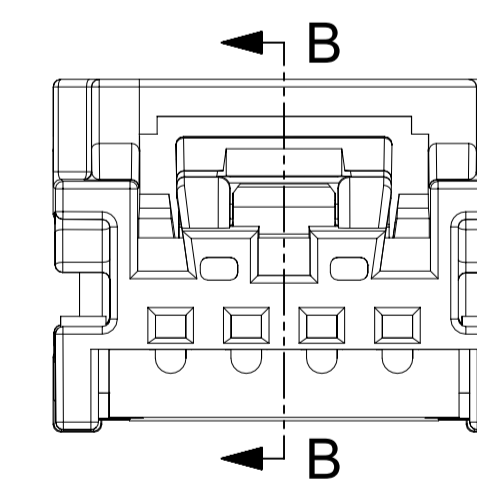
8CKT HINGE CLOSED CPA IN FINAL POSITION



4CKT HINGE CLOSED



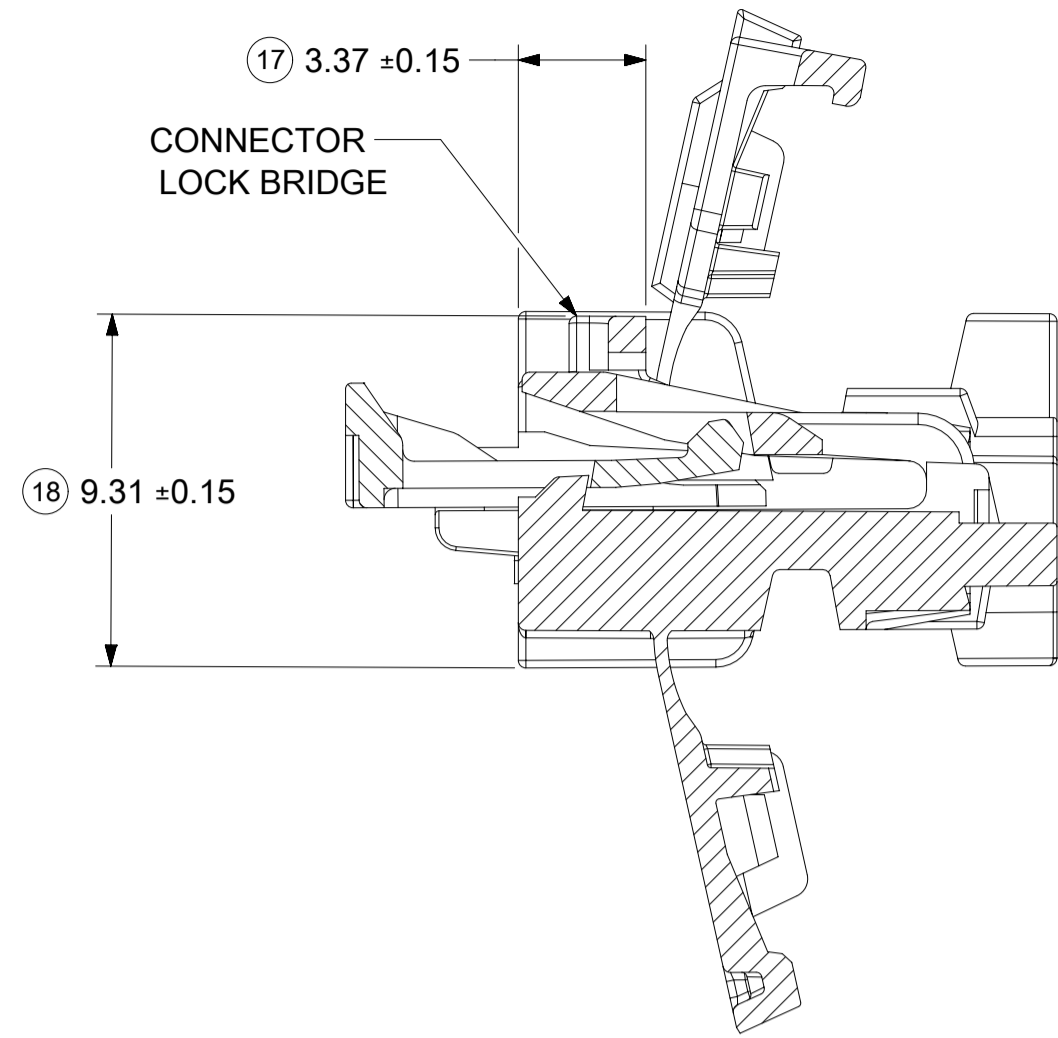
PASS THRU DIAMETER
∅ DIM A
1MM ADDITIONAL CLEARANCE
ADDED TO TIGHTEST FIT CIRCLE



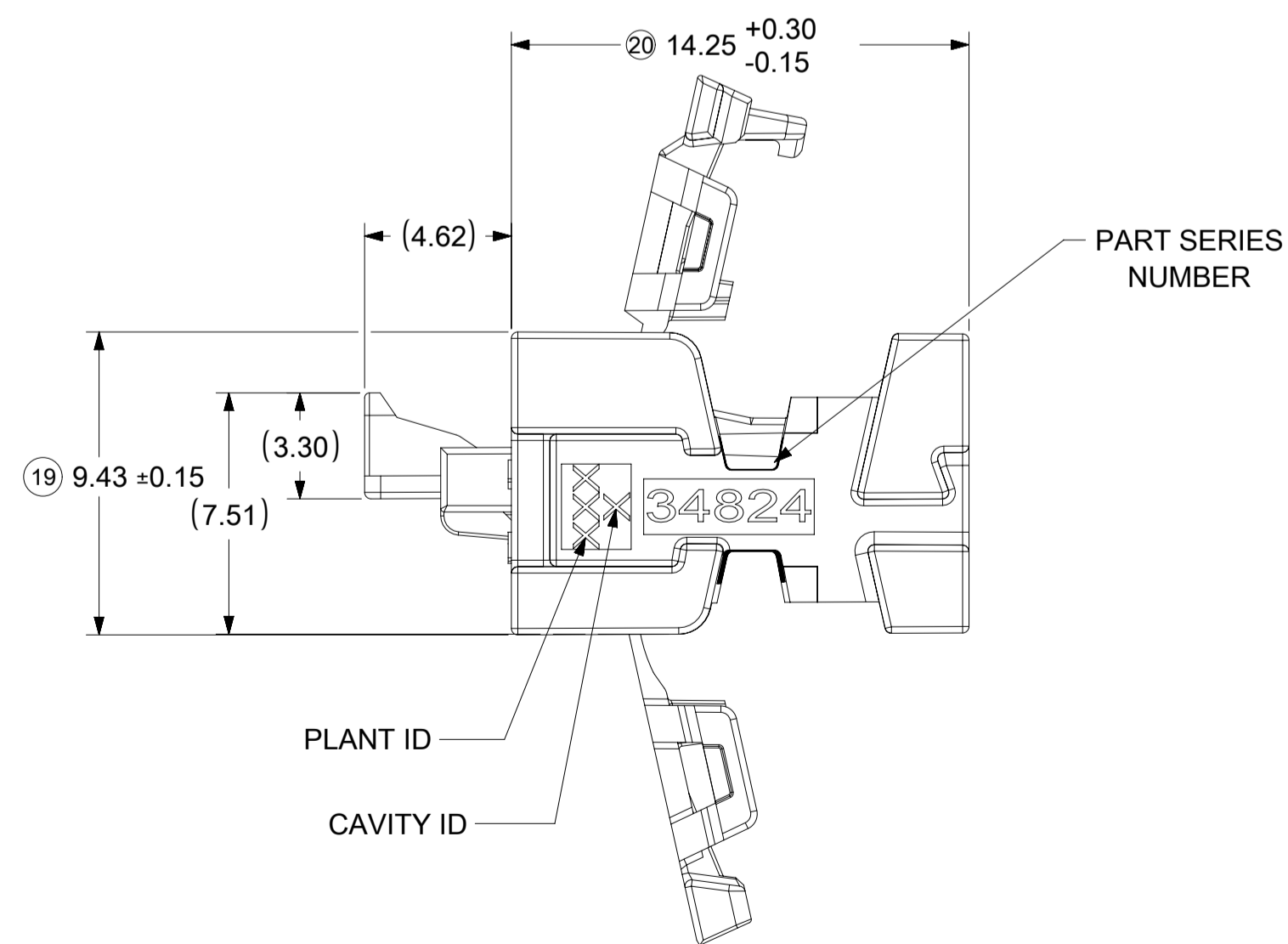
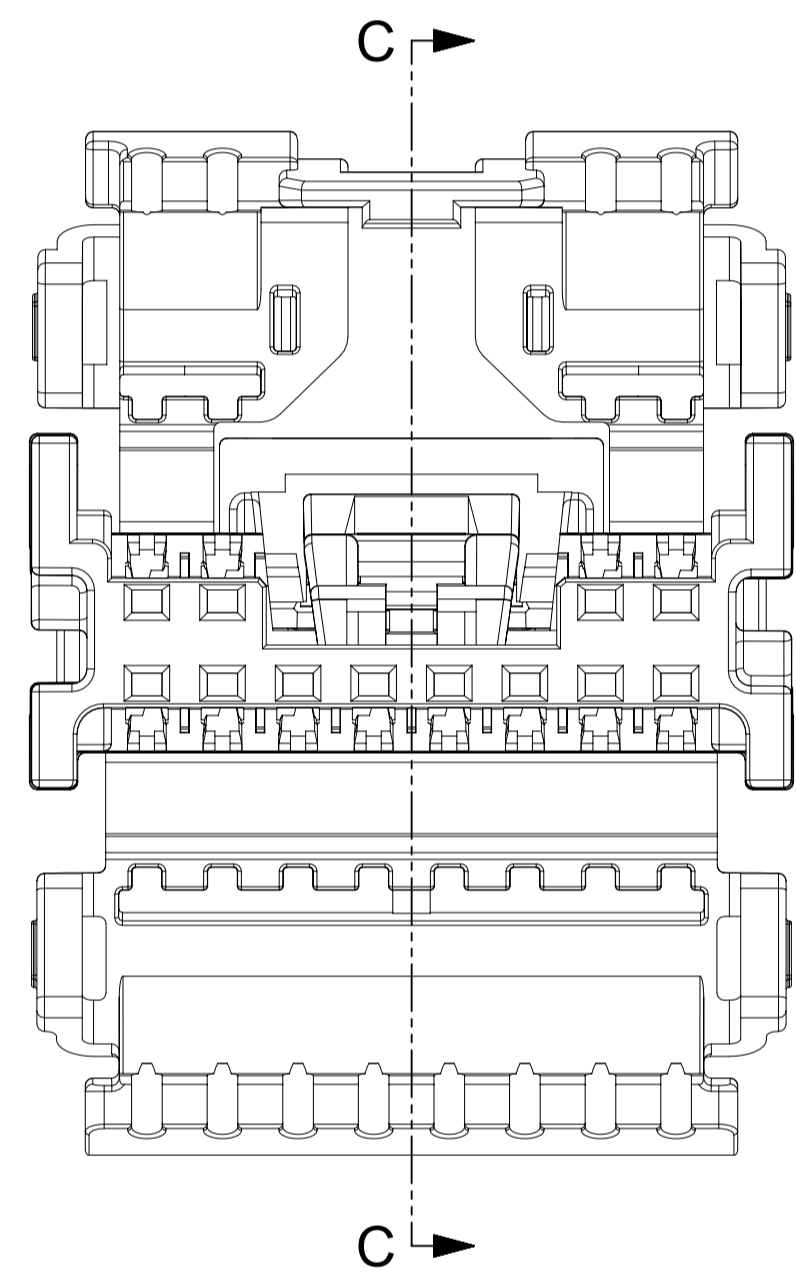
CHARTED DIMENSIONS		
DESCRIPTION	DIMENSION	
	A	B
4 CKT	16.09	6.77
8 CKT	22.52	7.77
12 CKT	23.18	8.47
16 CKT	26.87	8.47
20 CKT	30.65	8.47
24 CKT	34.47	8.47

THIS DRAWING CONTAINS INFORMATION THAT IS PROPRIETARY TO MOLEX ELECTRONIC TECHNOLOGIES, LLC AND SHOULD NOT BE USED WITHOUT WRITTEN PERMISSION										
DIMENSION UNITS	SCALE	CURRENT REV DESC:								
mm	5:1									
GENERAL TOLERANCES (UNLESS SPECIFIED)										
ANGULAR TOL	± 1.0°									
4 PLACES	±									
3 PLACES	±									
2 PLACES	± 0.1									
1 PLACE	± 0.2									
0 PLACES	±									
DRAFT WHERE APPLICABLE MUST REMAIN WITHIN DIMENSIONS		THIRD ANGLE PROJECTION	DRAWING	SERIES	MATERIAL NUMBER					CUSTOMER
			A1-SIZE	34824	SD-34824-003					GENERAL MARKET
					DOCUMENT NUMBER		DOC TYPE	DOC PART	REVISION	
					SD-34824-003		PSD	001	M15	
					EC NO: 669840					
					DRWN: SWU31		2021/07/12			
					CHK'D: CDZHANG		2021/07/13			
					APPR: CDZHANG		2021/07/13			
					INITIAL REVISION:					
					DRWN: TMACHUGA		2013/10/15			
					APPR: RBAUMAN		2013/11/13			
					SHEET NUMBER		2 OF 4			

DUAL ROW LOCK BRIDGE OPTION

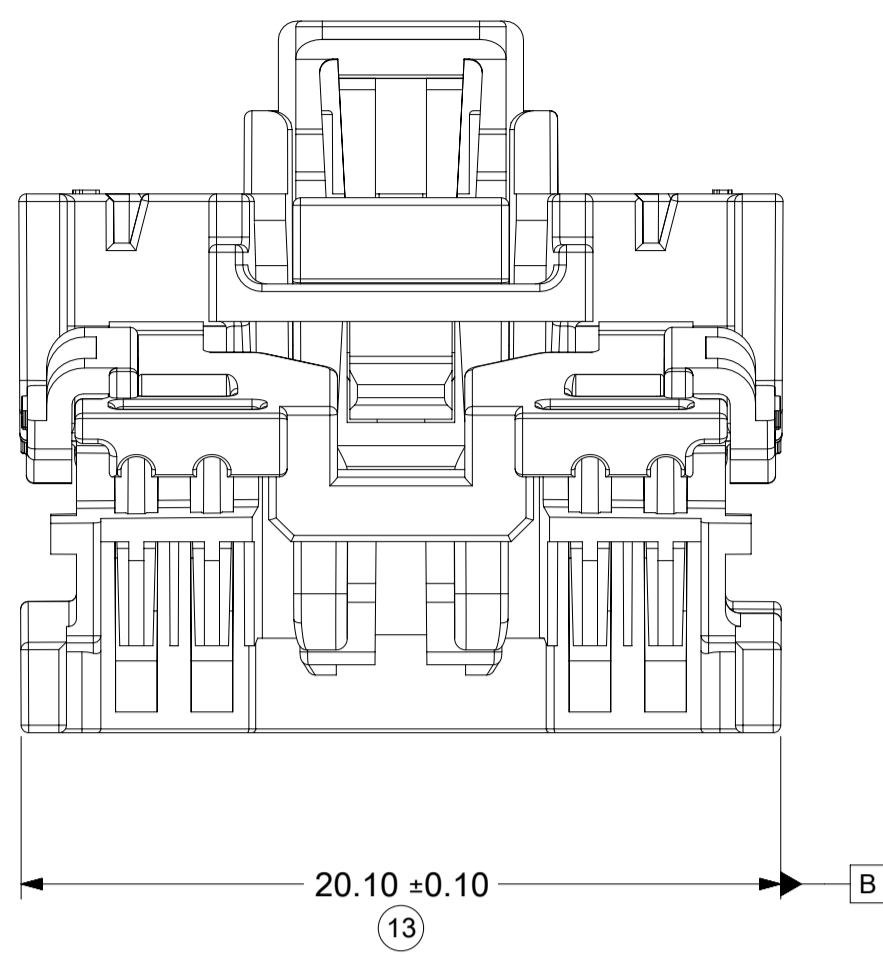


SECTION C-C

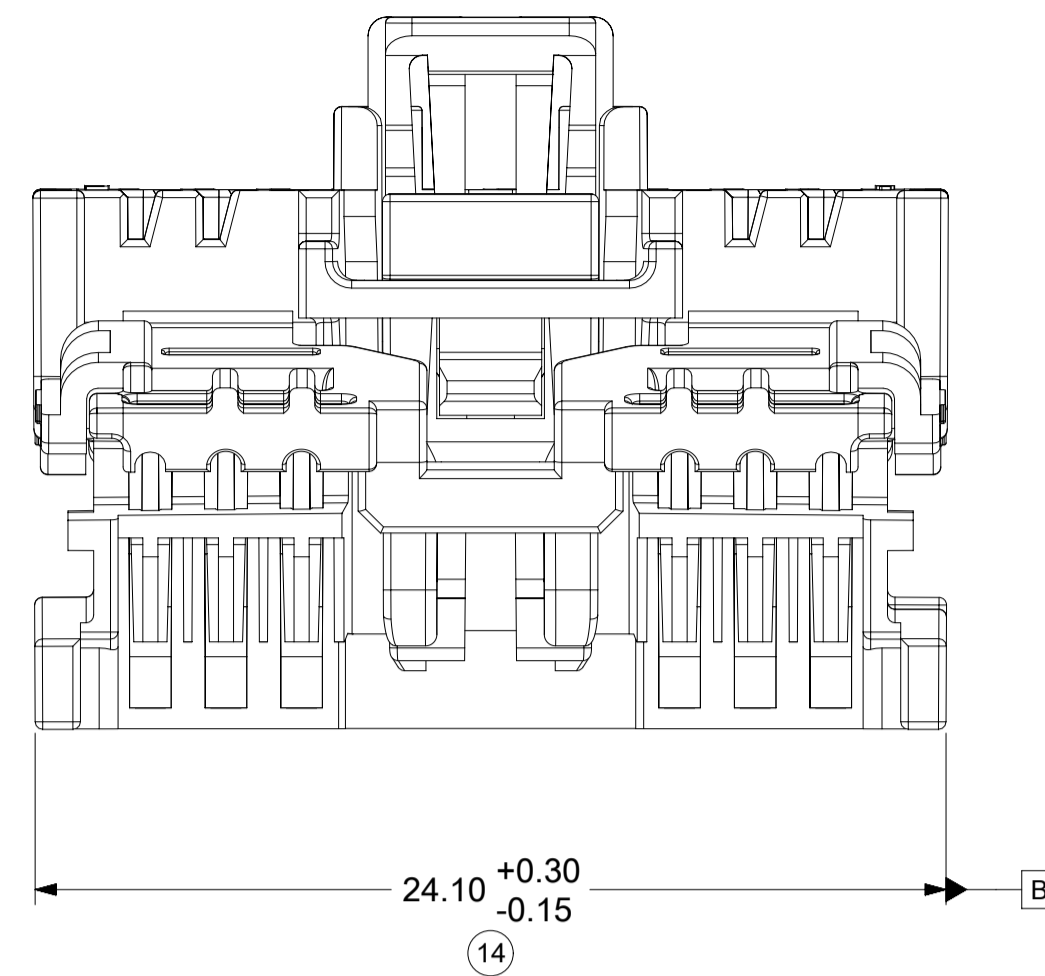


*NOTE: DIM 20 TOLERANCE IS +0.20/-0.15 FOR P/N 34824-2244/5/6

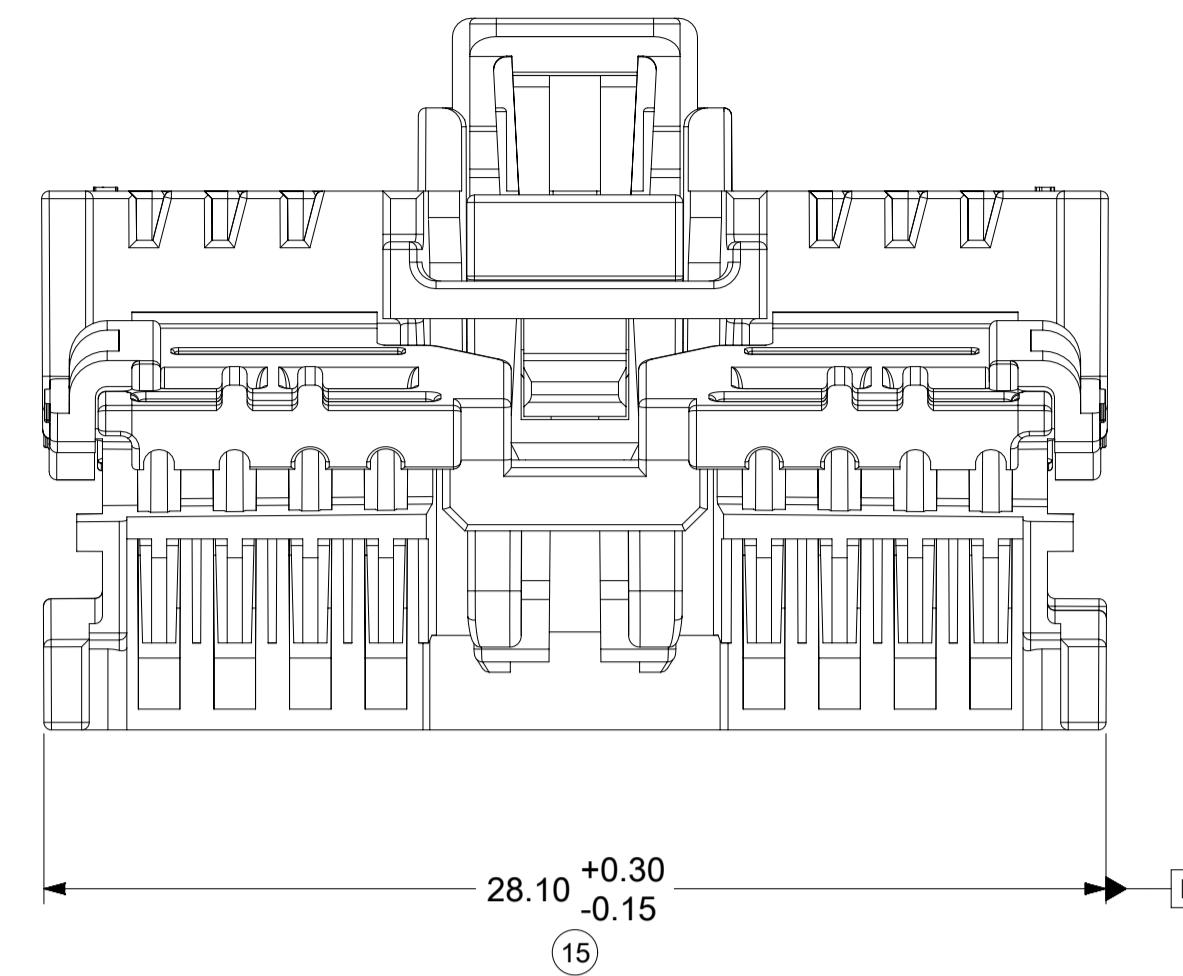
12CKT USCAR COMPATIBLE RECEPTACLE WITH CPA



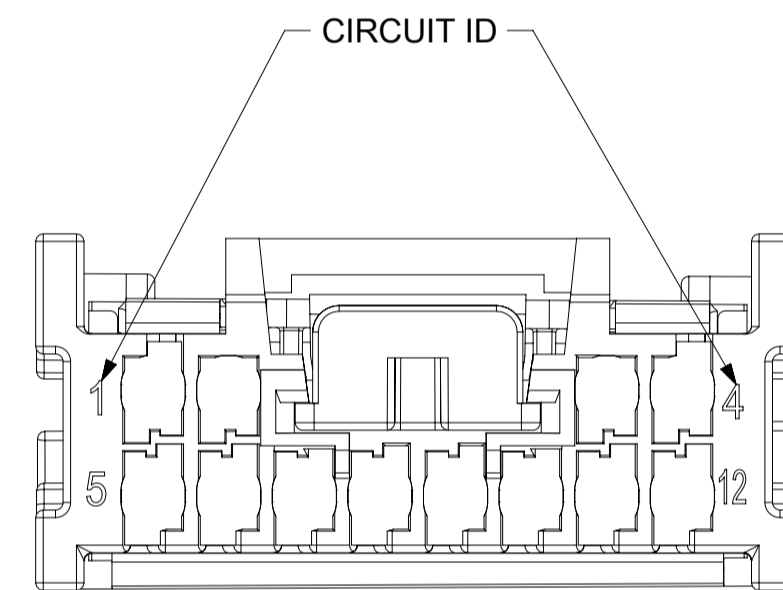
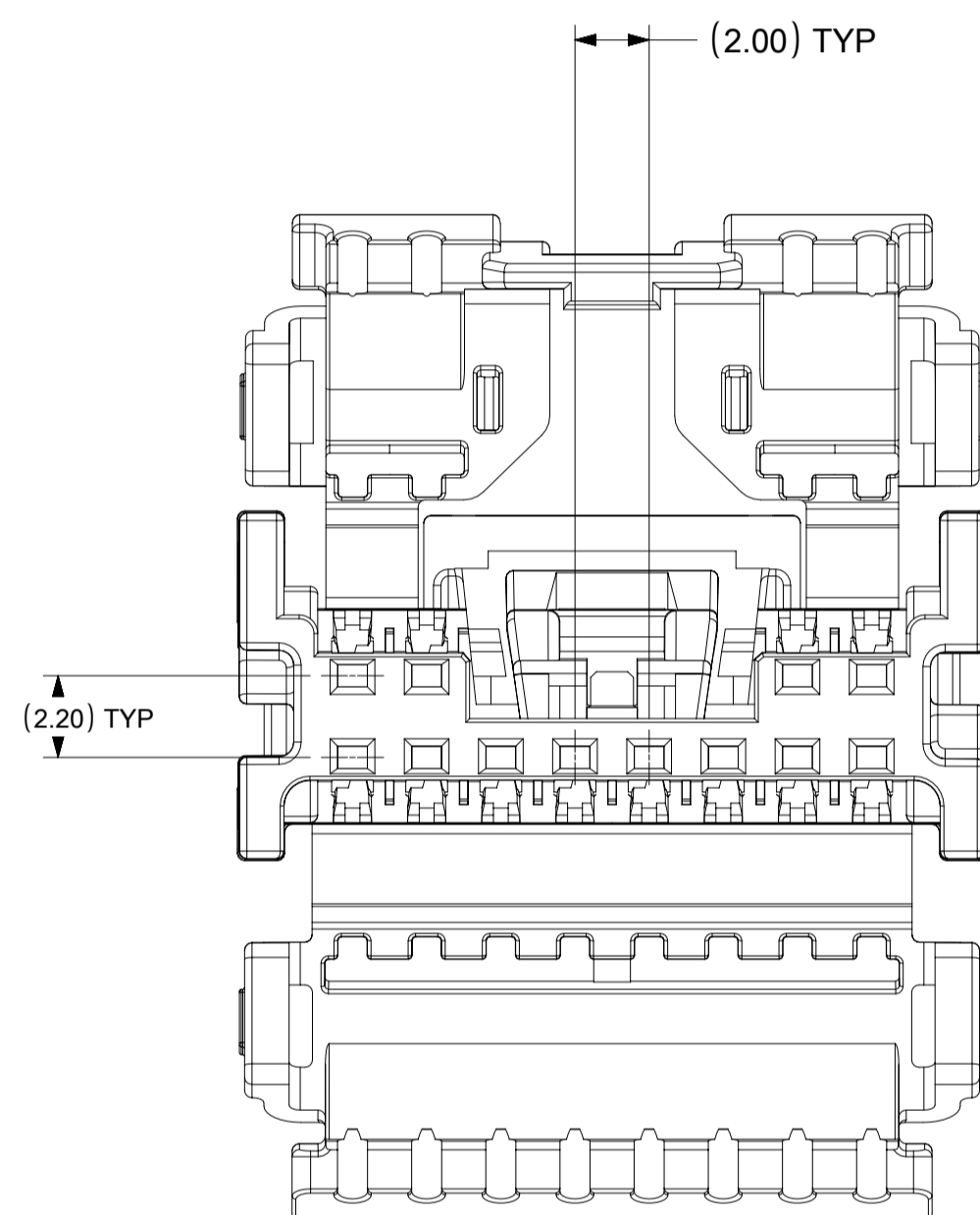
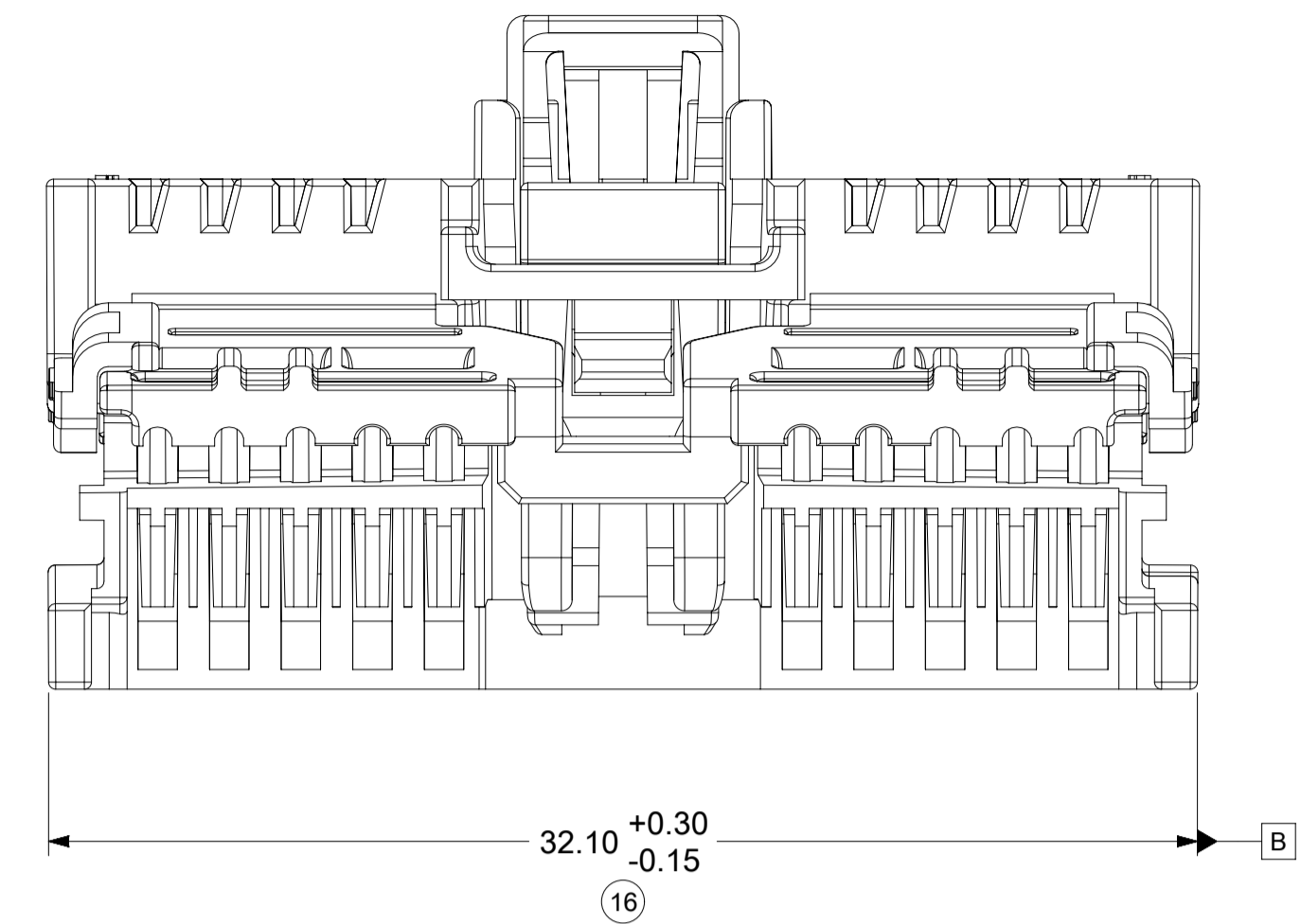
16CKT USCAR COMPATIBLE RECEPTACLE WITH CPA



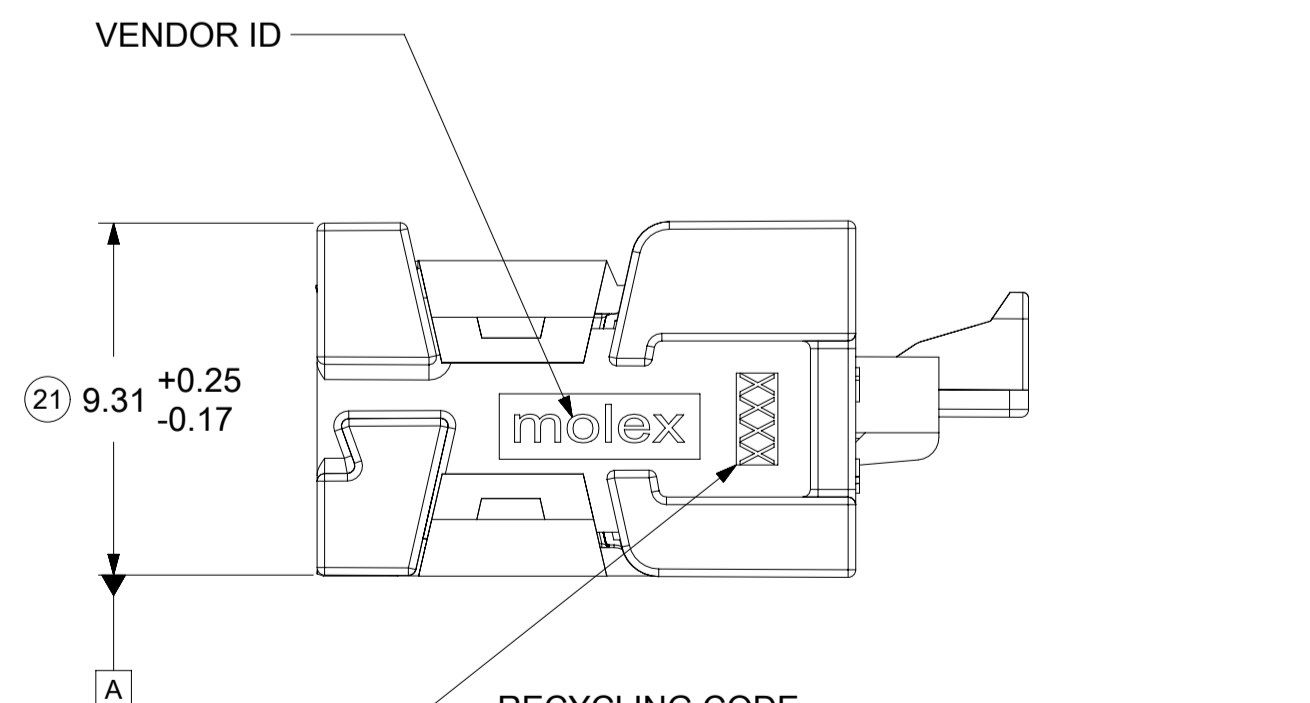
20CKT USCAR COMPATIBLE RECEPTACLE WITH CPA



24CKT USCAR COMPATIBLE RECEPTACLE WITH CPA



HINGES CLOSED



*NOTE: DATUMS A AND C ARE SIMILAR FOR 12-24CKT CONNECTORS

THIS DRAWING CONTAINS INFORMATION THAT IS PROPRIETARY TO MOLEX ELECTRONIC TECHNOLOGIES, LLC AND SHOULD NOT BE USED WITHOUT WRITTEN PERMISSION

DIMENSION UNITS	SCALE	CURRENT REV DESC:	
mm	5:1		
GENERAL TOLERANCES (UNLESS SPECIFIED)			
ANGULAR TOL	± 1.0°		
4 PLACES	±	EC NO: 669840	2021/07/12
3 PLACES	±	DRWN: SWU31	2021/07/13
2 PLACES	± 0.1	CHK'D: CDZHANG	2021/07/13
1 PLACE	± 0.2	APPR: CDZHANG	2021/07/13
0 PLACES	±	INITIAL REVISION:	
DRAFT WHERE APPLICABLE MUST REMAIN WITHIN DIMENSIONS		DRWN: TMACHUGA	2013/10/15
THIRD ANGLE PROJECTION		APPR: RBAUMAN	2013/11/13
DRAWING		SERIES	MATERIAL NUMBER
A1-SIZE		34824	SD-34824-003
CUSTOMER		SHEET NUMBER	
GENERAL MARKET		3 OF 4	

molex

MINI50 RECEPTACLE WITH CPA SALES DRAWING

PRODUCT CUSTOMER DRAWING

DOCUMENT NUMBER: SD-34824-003
DOC TYPE: PSD
DOC PART: 001
REVISION: M15

SINGLE ROW ASSEMBLY (RECEPTACLE WITH CPA)

MOLEX MATERIAL NUMBER BULK PACKAGING PK-31301-538	GENERAL MOTORS PART NUMBER	CONFIGURATION	MATERIAL TYPE	CIRCUIT	POL	COLOR	MATING COMPONENT							
							SURFACE MOUNT TECHNOLOGY (SMT) HEADER		VERTICAL THRU HOLE HEADER			RIGHT ANGLE THRU HOLE HEADER		
							TAPE AND REEL PACKAGING PK-31301-786	TUBE PACKAGING PK-31301-688	TRAY PACKAGING PK-31301-440	TUBE PACKAGING PK-31301-688	TAPE AND REEL PACKAGING PK-47799-0001	TRAY PACKAGING PK-31301-440	TUBE PACKAGING PK-31301-688	TAPE AND REEL PACKAGING PK-47799-0001
34791-5140	13507113	USCAR	PBT	4	A	BLACK	34912-8040	34912-9040	34792-0040	34792-9040	34792-8040	34793-0040	34793-9040	34793-8040
34791-5141	13507115	USCAR		4	B	LIGHT GRAY	34912-8041	34912-9041	34792-0041	34792-9041	34792-8041	34793-0041	34793-9041	34793-8041
34791-5142	13507116	USCAR		4	C	DARK GRAY	34912-8042	34912-9042	34792-0042	34792-9042	34792-8042	34793-0042	34793-9042	34793-8042
34791-5143	13507117	USCAR		4	D	GREEN	34912-8043	34912-9043	34792-0043	34792-9043	34792-8043	34793-0043	34793-9043	34793-8043
34791-5180	13507118	USCAR		8	A	BLACK	34912-8080	34912-9080	34792-0080	34792-9080	34792-8080	34793-0080	34793-9080	34793-8080
34791-5181	13507119	USCAR		8	B	LIGHT GRAY	34912-8081	34912-9081	34792-0081	34792-9081	34792-8081	34793-0081	34793-9081	34793-8081
34791-5182	13507120	USCAR		8	C	DARK GRAY	34912-8082	34912-9082	34792-0082	34792-9082	34792-8082	34793-0082	34793-9082	34793-8082

DUAL ROW ASSEMBLY (RECEPTACLE WITH CPA)

MOLEX MATERIAL NUMBER BULK PACKAGING PK-31301-538	GENERAL MOTORS PART NUMBER	CONFIGURATION	MATERIAL TYPE	CIRCUIT	POL	COLOR	MATING COMPONENT							
							SURFACE MOUNT TECHNOLOGY (SMT) HEADER		VERTICAL THRU HOLE HEADER			RIGHT ANGLE THRU HOLE HEADER		
							TAPE AND REEL PACKAGING PK-31301-786	TUBE PACKAGING PK-31301-688	TRAY PACKAGING PK-31301-440	TUBE PACKAGING PK-31301-688	TAPE AND REEL PACKAGING PK-47799-0001	TRAY PACKAGING PK-31301-440	TUBE PACKAGING PK-31301-688	TAPE AND REEL PACKAGING PK-47799-0001
34824-2164	N/A	USCAR	ECOPAXX	16	A	BLACK	34897-8160	34897-9160	34825-0160	34825-9160	34825-8160	34826-0160	34826-9160	34826-8160
34824-2165	N/A	USCAR		16	B	LIGHT GRAY	34897-8161	34897-9161	34825-0161	34825-9161	34825-8161	34826-0161	34826-9161	34826-8161
34824-2166	N/A	USCAR		16	C	DARK GRAY	34897-8162	34897-9162	34825-0162	34825-9162	34825-8162	34826-0162	34826-9162	34826-8162
34824-2204	13544280	USCAR		20	A	BLACK	34897-8200	34897-9200	34825-0200	34825-9200	34825-8200	34826-0200	34826-9200	34826-8200
34824-2205	13544281	USCAR		20	B	LIGHT GRAY	34897-8201	34897-9201	34825-0201	34825-9201	34825-8201	34826-0201	34826-9201	34826-8201
34824-2206	13544282	USCAR		20	C	DARK GRAY	34897-8202	34897-9202	34825-0202	34825-9202	34825-8202	34826-0202	34826-9202	34826-8202
34824-2244	N/A	USCAR		24	A	BLACK	34897-8240	34897-9240	34825-0240	34825-9240	34825-8240	34826-0240	34826-9240	34826-8240
34824-2245	N/A	USCAR		24	B	LIGHT GRAY	34897-8241	34897-9241	34825-0241	34825-9241	34825-8241	34826-0241	34826-9241	34826-8241
34824-2246	N/A	USCAR	24	C	DARK GRAY	34897-8242	34897-9242	34825-0242	34825-9242	34825-8242	34826-0242	34826-9242	34826-8242	
34824-5124	13507121	USCAR	PBT	12	A	BLACK	34897-8120	34897-9120	34825-0124	34825-9124	34825-8124	34826-0124	34826-9124	34826-8124
34824-5125	13507122	USCAR		12	B	LIGHT GRAY	34897-8121	34897-9121	34825-0125	34825-9125	34825-8125	34826-0125	34826-9125	34826-8125
34824-5126	13507114	USCAR		12	C	DARK GRAY	34897-8122	34897-9122	34825-0126	34825-9126	34825-8126	34826-0126	34826-9126	34826-8126

*NOTE: CONFIGURATION CONSISTS OF AN EXPANSION OF THE 12CKT USCAR-COMPATIBLE CONFIGURATION TO ALLOW FOR 16, 20, AND 24 CIRCUITS

MINI50 CPA (APPLIED TO SINGLE & DUAL ROW BRIDGED RECEPTACLES)

MATERIAL NUMBER	COLOR	MATING COMPONENT
34824-7000	NATURAL	SEE CHARTS ABOVE

CTX50 UNSEALED RECEPTACLE TERMINALS

PART NUMBER		MATERIAL	WIRE GAGE (mm ²)	GRIP
D-WIND (LEFT PAYOFF)	B-WIND (RIGHT PAYOFF)			
560023-0448	560023-0450	COPPER ALLOY	0.35	LARGE
560023-0421	560023-0423	COPPER ALLOY	0.22	MEDIUM
560023-0444	560023-0445	COPPER ALLOY	0.13	SMALL

THIS DRAWING CONTAINS INFORMATION THAT IS PROPRIETARY TO MOLEX ELECTRONIC TECHNOLOGIES, LLC AND SHOULD NOT BE USED WITHOUT WRITTEN PERMISSION										
DIMENSION UNITS	SCALE	CURRENT REV DESC:			molex		MINI50 RECEPTACLE WITH CPA SALES DRAWING			
mm	1:1									
GENERAL TOLERANCES (UNLESS SPECIFIED)					EC NO: 669840 DRWN: SWU31 CHK'D: CDZHANG APPR: CDZHANG 2021/07/12 2021/07/13 2021/07/13 2013/10/15 2013/11/13 DRWN: TMACHUGA APPR: RBAUMAN					
ANGULAR TOL ± 1.0°										
4 PLACES ±										
3 PLACES ±										
2 PLACES ± 0.1										
1 PLACE ± 0.2					PRODUCT CUSTOMER DRAWING					
0 PLACES ±					DOCUMENT NUMBER		DOC TYPE		DOC PART	REVISION
					SD-34824-003		PSD		001	M15
DRAFT WHERE APPLICABLE MUST REMAIN WITHIN DIMENSIONS			THIRD ANGLE PROJECTION		DRAWING		SERIES		MATERIAL NUMBER	
			A1-SIZE		34824		CUSTOMER		SHEET NUMBER	
					GENERAL MARKET		4 OF 4			