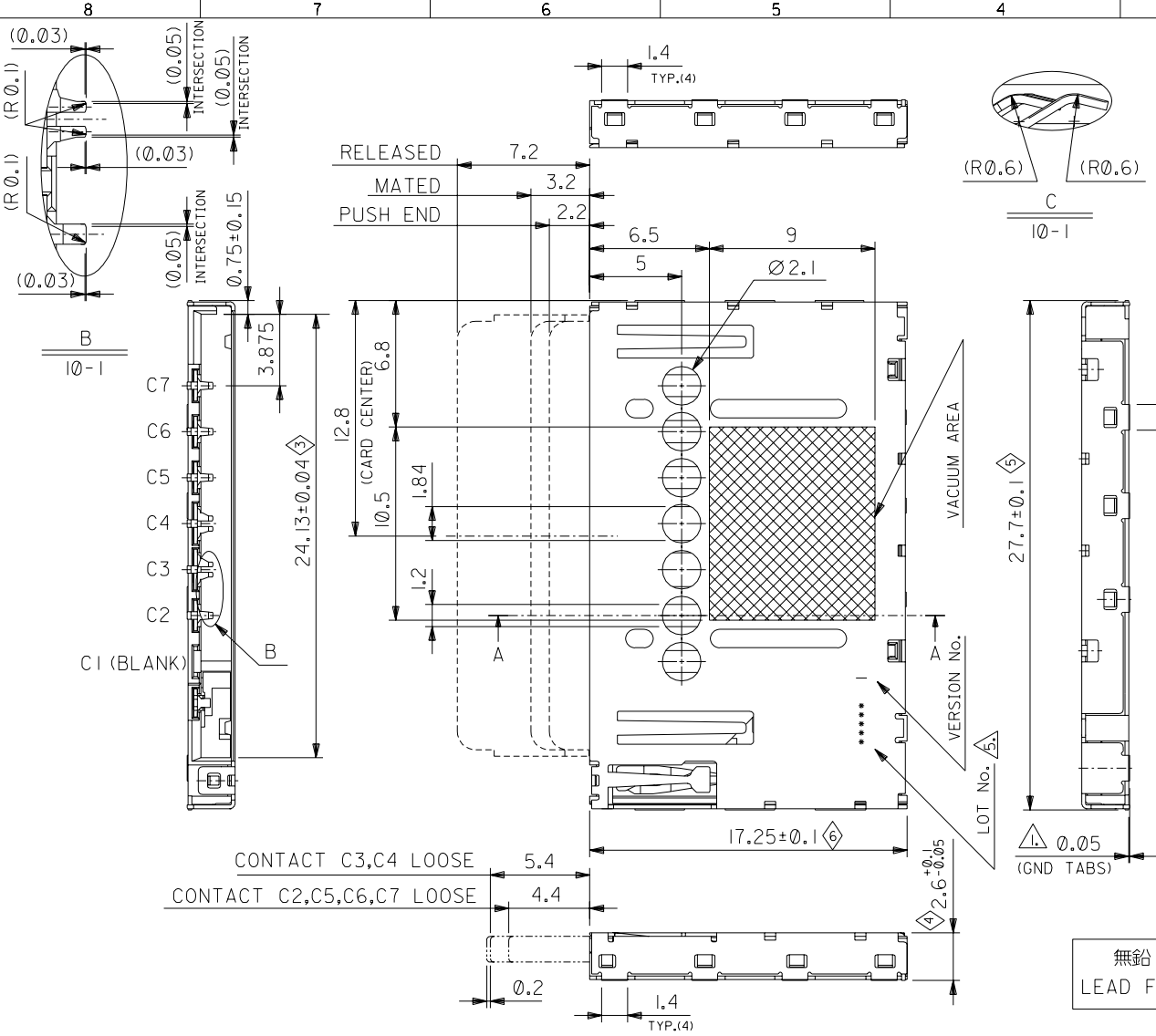


DWG. NO. SD-500850-001

DO NOT SCALE DRAWING



**NOTES**

1. ソルダータール及びソルダータブはハウジング底面を基準に、上に 0.00 下に 0.10 の範囲にあり、かつ全体の平坦度は 0.10 MAX.  
SOLDER TAILS AND SOLDER TABS ARE WITHIN THE AREA FROM 0.00mm ABOVE TO 0.1mm BELOW HOUSING BOTTOM LINE. TOTAL COPLANARITY TO BE 0.10 MAX.

2. GND TAIL 半田面のバリは 0.02 MAX.  
MAX. 0.02mm BURR ON SOLDERING AREA OF GROUNDING TAILS.

3. 端子の接触部及び半田部はバリ無し。  
NO BURRS ON CONTACT & SOLDERING AREA OF TERMINALS.

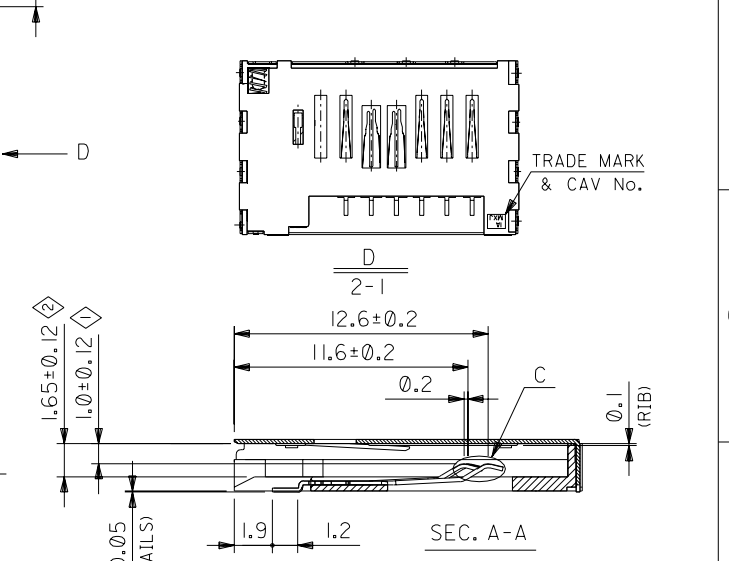
4. めっきにはひび割れ無し。  
THE CRACKS OF PLATINGS AND BASE MATERIALS ARE NOT ALLOWED.

ロットNo. \* \* \* \* \*

2003 : END OF YEAR

MONTH

DAY

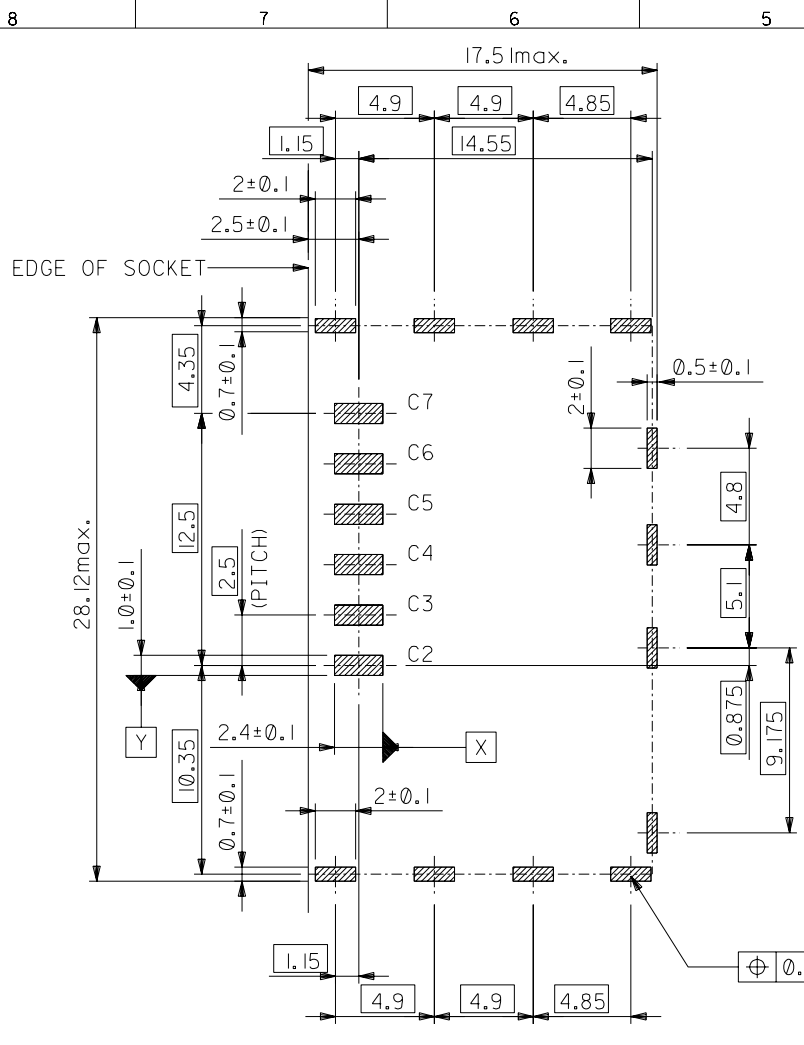


無鉛  
LEAD FREE

500850-0600	500850-0609
EMBOSSD ASS'Y	製品番号 MATERIAL No.

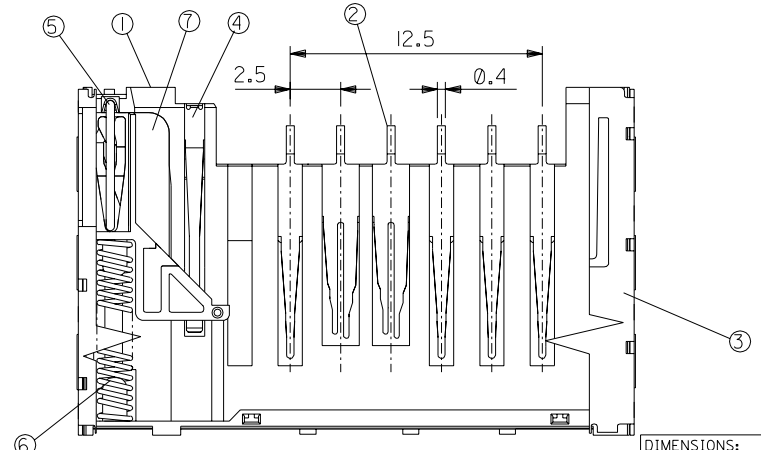
EC NO. DRWN: CH'K: APPR:	EC NO. DRWN: CH'K: APPR:	EC NO. DRWN: CH'K: APPR:	REVISED EC NO. J2004-1258 DRWN: H. TAKASE '03/11/26 CH'K: APPR: Y. ITO	PROPOSED EC NO. J2004-0480 DRWN: H. TAKASE '03/08/08 CH'K: APPR: Y. ITO	DESCRIPTION MATERIAL 材料 SEE CHART FINISH 仕上り SEE CHART WIRE RANGE 適用線径範囲 INS. RANGE 被覆外径	GENERAL TOLERANCES: (UNLESS SPECIFIED) 一般公差 10 UNDER 未満 ±0.2 10 OVER 30 UNDER 未満 ±0.25 30 OVER 以上 ±0.3 ANGLE 角度 ±3°	SCALE 4-1 DESIGN UNITS <input checked="" type="checkbox"/> mm <input type="checkbox"/> INCH DRAWN BY & DATE <i>S. Takase</i> '03/08/08 CHECKED BY & DATE APPROVED BY & DATE <i>Y. Ito</i> '03/08/08 CAD FILENAME SD-500850-001.S01	THIRD ANGLE PROJECTION DIMENSIONS: <input type="checkbox"/> mm <input type="checkbox"/> INCH <input checked="" type="checkbox"/> mm ONLY SHT REV REVISE ON CAD ONLY	TITLE: RS MMC SOCKET NORMAL TYPE HOUSING ASS'Y MOLEX MOLEX INCORPORATED	MATERIAL NO. SEE TABLE	DRAWING NO. SD-500850-001	SHEET NO. 1 OF 3
THIS DRAWING CONTAINS INFORMATION THAT IS PROPRIETARY TO MOLEX INCORPORATED AND SHOULD NOT BE USED WITHOUT WRITTEN PERMISSION.											SIZE B	

DWG. NO. SD-500850-001



推奨基板寸法  
RECOMMENDED P.C. BOARD LAYOUT

番号 No.	部品 PARTS	材質/仕上げ MATERIAL/REMARKS
①	ハウジング HOUSING	LCP, UL94V-0, 色:黒 LIQUID CRYSTAL POLYMER, UL94V-0, BLACK
②	ターミナル TERMINAL	銅合金(燐青銅 C5210R-EH, t=0.2) COPPER ALLOY (PHOSPHOR BRONZE C5210R-EH, t=0.2) めっき仕様 接点部:金めっき 0.6マイクロメートル以上 PLATING CONTACT: Au PLATING, 0.6 MICRO METER MINIMUM 半田付け部:錫合金めっき 3マイクロメートル以上 SOLDER: Sn ALLOY PLATING, 3 MICRO METER MINIMUM 下地めっき:ニッケルめっき 2マイクロメートル以上 UNDER PLATING: Ni PLATING, 2 MICRO METER MINIMUM
③	メタルカバー METAL SHELL	ステンレス鋼, t=0.2, STAINLESS STEEL (SUS304), t=0.2, SOLDERABILITY IMPROVEMENT COAT めっき仕様 下地めっき:ニッケルめっき 2マイクロメートル以上 PLATING UNDER PLATING: Ni PLATING, 2 MICRO METER MINIMUM 半田付け処理(金、パラジウムコート) SOLDERABILITY IMPROVEMENT COAT (Au & Pd COAT)
④	逆挿しロック INVERSE LOCK	ステンレス鋼, t=0.2 STAINLESS STEEL (SUS304), t=0.2
⑤	カムピン CAM PIN	ステンレス鋼 STAINLESS STEEL (SUS304)
⑥	スプリング COIL SPRING	ピアノ線, ニッケルめっき PIANO WIRE (SWP), NICKEL PLATING
⑦	スライドカム SLIDER CAM	LCP, UL94V-0, 色:黒 LIQUID CRYSTAL POLYMER, UL94V-0, BLACK



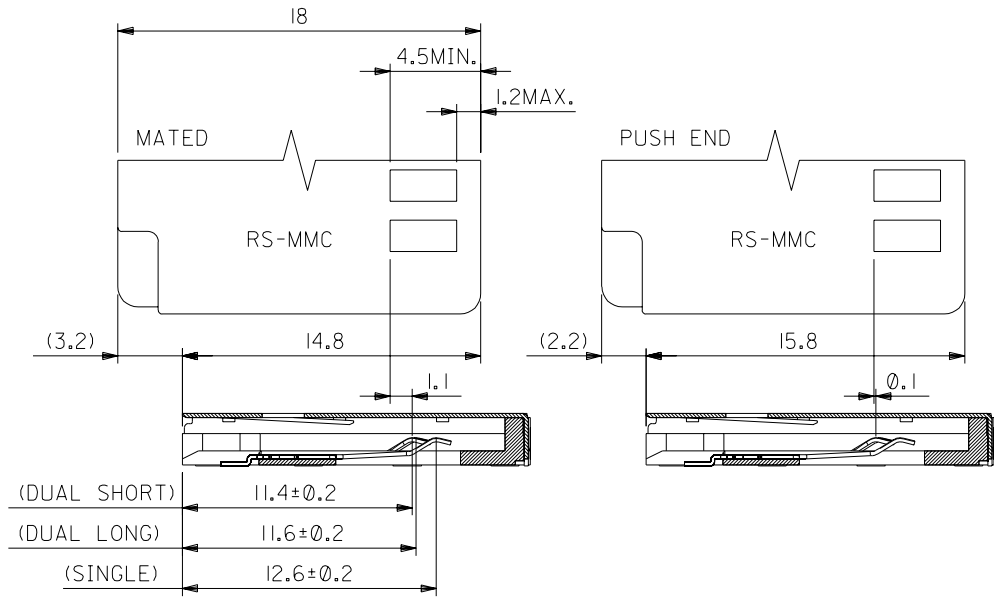
DO NOT SCALE DRAWING

EC NO. DRAWN: CHK'G: APPR:	EC NO. DRAWN: CHK'G: APPR:	EC NO. DRAWN: CHK'G: APPR:	REVISED EC NO. J2004-1258 DRWN:H.TAKASE 03/11/26 CHK'G: APPR: Y.IITO	PROPOSED EC NO. J2004-0480 DRWN:H.TAKASE 03/08/08 CHK'G: APPR: Y.IITO	DESCRIPTION MATERIAL 材料 SEE CHART FINISH 仕上げ SEE CHART WIRE RANGE 適用線径範囲 — INS. RANGE 被覆外径 —
-------------------------------------	-------------------------------------	-------------------------------------	--	---	--

GENERAL TOLERANCES: (UNLESS SPECIFIED) 一般公差	SCALE 4-1	DESIGN UNITS mm □ INCH	THIRD ANGLE PROJECTION	DIMENSIONS: mm □ INCH mm ONLY	SHT REVISE ON CAD ONLY
10 UNDER 未滿	±0.2	DRAWN BY & DATE S. Takase 03/08/08	TITLE: RS MMC SOCKET NOMAL TYPE HOUSING ASS'Y		
10 OVER 以上	±0.25	CHECKED BY & DATE	MOLEX MOLEX INCORPORATED		
30 OVER 以上	±0.3	APPROVED BY & DATE Y.Ito 03/08/08	MATERIAL NO. SD-500850-001.S02		
ANGLE 角度	±3°	CAD FILENAME SD-500850-001.S02	SHEET NO. 2 OF 3		SIZE B
THIS DRAWING CONTAINS INFORMATION THAT IS PROPRIETARY TO MOLEX INCORPORATED AND SHOULD NOT BE USED WITHOUT WRITTEN PERMISSION.					

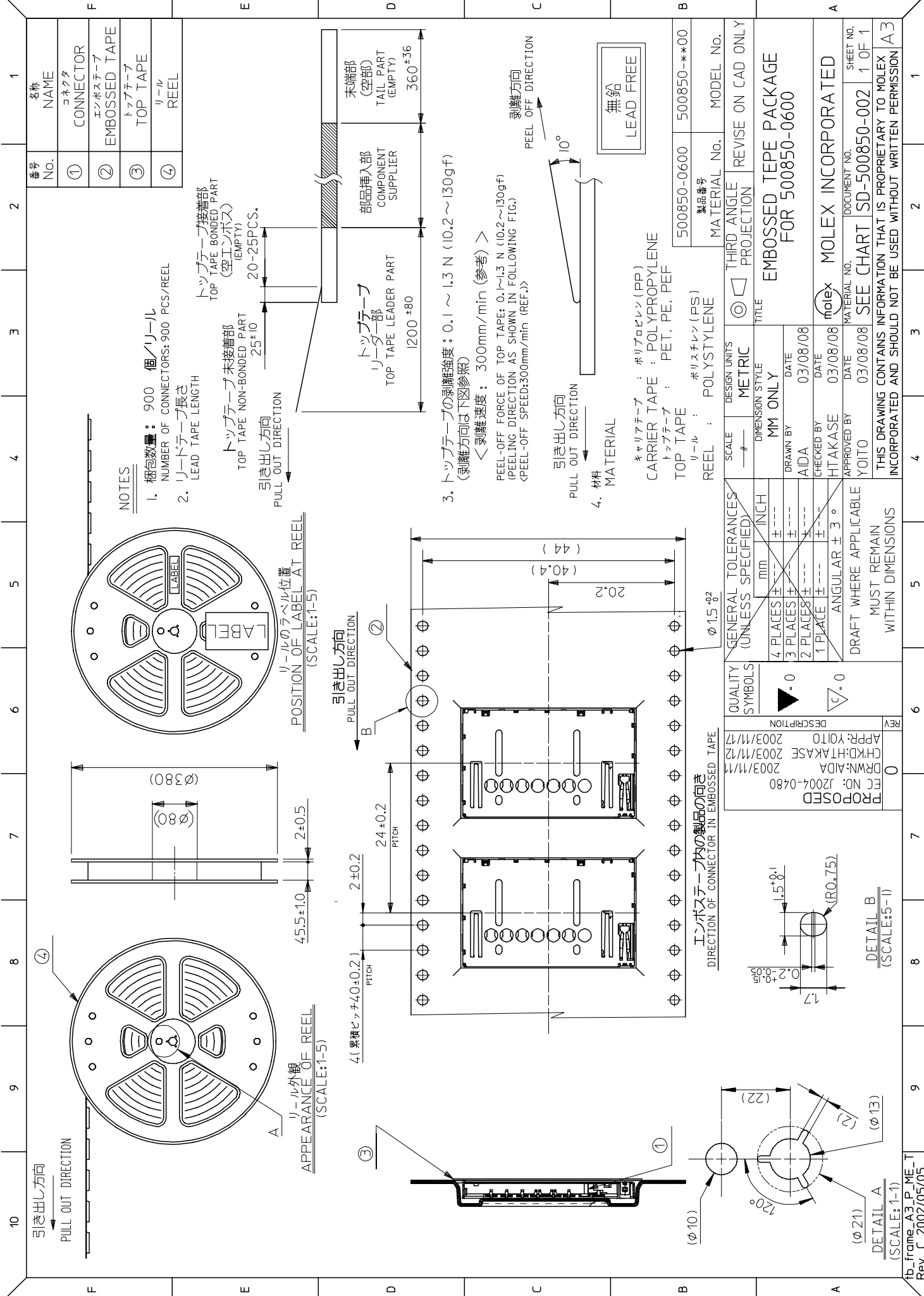
DWG. NO. SD-500850-001

CONTACT POSITION ON CARD PAD



DO NOT SCALE DRAWING

EC NO. DRWN: CHK: APPR:	EC NO. DRWN: CHK: APPR:	EC NO. DRWN: CHK: APPR:	REVISED EC NO. JD2004-1258 DRWN:H.TAKASE '03/11/26 CHK: APPR: Y.IITO	PROPOSED EC NO. JD2004-0480 DRWN:H.TAKASE '03/08/08 CHK: APPR: Y.IITO	DESCRIPTION	MATERIAL 材料	GENERAL TOLERANCES: (UNLESS SPECIFIED) 一般公差	SCALE 4-1	DESIGN UNITS <input checked="" type="checkbox"/> mm <input type="checkbox"/> INCH	<input checked="" type="checkbox"/> THIRD ANGLE <input type="checkbox"/> PROJECTION	DIMENSIONS: <input type="checkbox"/> mm <input type="checkbox"/> INCH <input checked="" type="checkbox"/> mm ONLY	SHT	REV	
						SEE CHART	10 UNDER 未満	±0.2	DRAWN BY & DATE <i>S. Takase</i> '03/08/08	TITLE: RS MMC SOCKET NOMAL TYPE HOUSING ASS'Y	REVISION ON CAD ONLY			
A	0				FINISH 仕上り	SEE CHART	10 OVER 30 UNDER 以上 未満	±0.25	CHECKED BY & DATE	MOLEX MOLEX INCORPORATED	MATERIAL NO. SEE TABLE	DRAWING NO. SD-500850-001	SHEET NO. 3 OF 3	
						WIRE RANGE 適用線径範囲	30 OVER 以上	±0.3	APPROVED BY & DATE <i>Y.Ito</i> '03/08/08					
					INS. RANGE 被覆外径		ANGLE 角度	±3°	CAD FILENAME SD-500850-001.S03				THIS DRAWING CONTAINS INFORMATION THAT IS PROPRIETARY TO MOLEX INCORPORATED AND SHOULD NOT BE USED WITHOUT WRITTEN PERMISSION.	SIZE B



NOTES

1. 梱包数量: 900 個/リール  
NUMBER OF CONNECTORS: 900 Pcs/REEL
2. リードテープ長さ  
LEAD TAPE LENGTH

トップテープ未接着部 (空エンプラス)  
TOP TAPE NON-BONDED PART (EMPTY)

トップテープ接着部 (空エンプラス)  
TOP TAPE BONDED PART (EMPTY)

25±10

20-25PCS.

リールのラベル位置  
(SCALE:1-5)

POSITION OF LABEL AT REEL

リール外觀  
(SCALE:1-5)

APPEARANCE OF REEL

引き出し方向  
PULL OUT DIRECTION

4(累積ヒッチ) 40±0.2

PITCH

2±0.2

PITCH

24±0.2

PITCH

トップテープ  
リール部  
TOP TAPE LEADER PART

1200 ±80

部品挿入部  
COMPONENT SUPPLIER

末端部 (空部)  
TAIL PART (EMPTY)

360 ±36

3. トップテープの剥離強度: 0.1 ~ 1.3 N (10.2 ~ 130gf)  
(剥離方向は下図参照)  
<剥離速度: 300mm/min (参考)>

PEEL-OFF FORCE OF TOP TAPE: 0.1~1.3 N (10.2~130gf)  
(PEELING DIRECTION AS SHOWN IN FOLLOWING FIG.)  
<PEEL-OFF SPEED: 300mm/min (REF.)>

引き出し方向  
PULL OUT DIRECTION

10°

剥離方向  
PEEL OFF DIRECTION

4. 材料  
MATERIAL

無鉛  
LEAD FREE

キャリアテープ: ポリプロピレン (PP)  
CARRIER TAPE: POLYPROPYLENE

トップテープ: PET, PE, PEF

リール: ポリスチレン (PS)  
REEL: POLYSTYLENE

エンボスターペ内の製品の向き  
DIRECTION OF CONNECTOR IN EMBOSSED TAPE

QUALITY SYMBOLS	DESCRIPTION	REV
▲ 0	PROPOSED FC NO: 12004-0480 DRWN: AIDA CHKD: HTAKASE APP: Y010 2003/11/17	0
▽ 0	APPR: Y010 2003/11/17	

GENERAL TOLERANCES (UNLESS SPECIFIED)	SCALE	DESIGN UNITS	METRIC
4 PLACES ±	MM ONLY	THIRD ANGLE PROJECTION	REVISE ON CAD ONLY
3 PLACES ±			
2 PLACES ±			
1 PLACE ±			
ANGULAR ± 3°			
DRAFT WHERE APPLICABLE MUST REMAIN WITHIN DIMENSIONS			

SCALE	DESIGN UNITS	METRIC	TITLE
MM ONLY	THIRD ANGLE PROJECTION	REVISE ON CAD ONLY	EMBOSSED TEPE PACKAGE FOR 500850-0600
DRAWN BY	DATE	CHECKED BY	DATE
AIDA	03/08/08	HTAKASE	03/08/08
APPROVED BY	DATE	MATERIAL NO.	MODEL No.
Y010	03/08/08	500850-0600	500850-**-00

DOCUMENT NO.	SHEET NO.
MOLEX INCORPORATED	1 OF 1
SEE CHART SD-500850-002	

THIS DRAWING CONTAINS INFORMATION THAT IS PROPRIETARY TO MOLEX INCORPORATED AND SHOULD NOT BE USED WITHOUT WRITTEN PERMISSION
A3