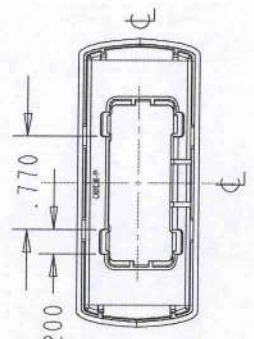
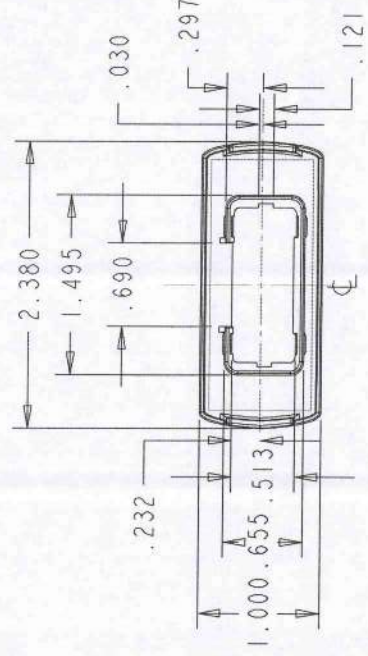
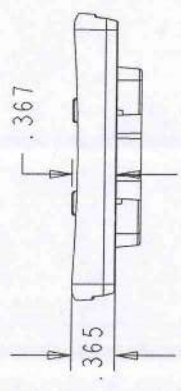
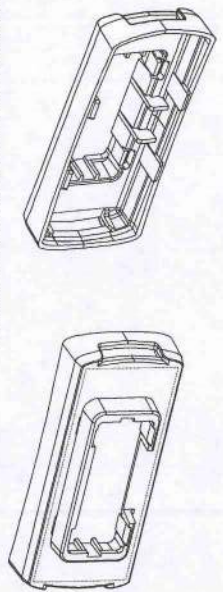
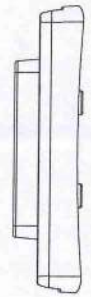


Generated by Foxit PDF Creator © Foxit Software
 http://www.foxitsoftware.com For evaluation only

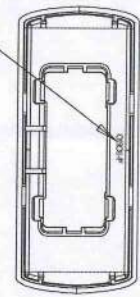
REVISIONS			
LET	ECN	DESCRIPTION	DATE
01			05/04/12
02		ADDED CAVITY ID	05/22/12
			JMM



SECTION C-C



CAVITY ID: (02)
 COPY 1.25 TALL
 RAISED 0,05 TO 0,1



NOTES:

1. FOR LIST OF MATERIAL SEE:
PL 115128-501, 115129-501
2. UNLESS OTHERWISE SPECIFIED:
CORNERS SHOWN SHARP HAVE
A RADIUS OF .01.
3. NO KNOCKOUTS, GATES OR FLASH
ON THE EXTERIOR SURFACES.
4. FLASH PERMISSIBLE WITHIN .005 INCH.
5. KNOCKOUTS FLUSH TO .005 BELOW SURFACE.
6. TEXTURE: EDM #33
7. INTERIOR FINISH: SPI C3 OR BETTER

PACINTEC
 Subsidiary of LaFrance Corp.

One LaFrance way, Concordville, Pa. 19332-5002 U.S.A.

WOLDED TOLERANCE:	DRAWN BY:	DATE
PRODUCT WILL BE PRODUCED IN THE FOLLOWING PROJECT STANDARDS AND TOLERANCES	R. WOLSTENHOLME	05/04/12
MACHINED:	CUSTOMER PRODUCT I.D.:	
ANGLES: ±1/2°	MATERIAL: ABS	
DECIMALS: .XX ± .02 .XXX ± .010	COLOR: SEE PARTS LIST	
	CLASS: MEDIUM IMPACT	
	U.L. RATING: SEE PARTS LIST	

STANARD		
CN-XR OBD II FEMALE ENDCAP		
PROCESS:	SCALE:	SHEET 1 OF 1
PART #	DRAWING NUMBER	REV
115668-01	115668	02