

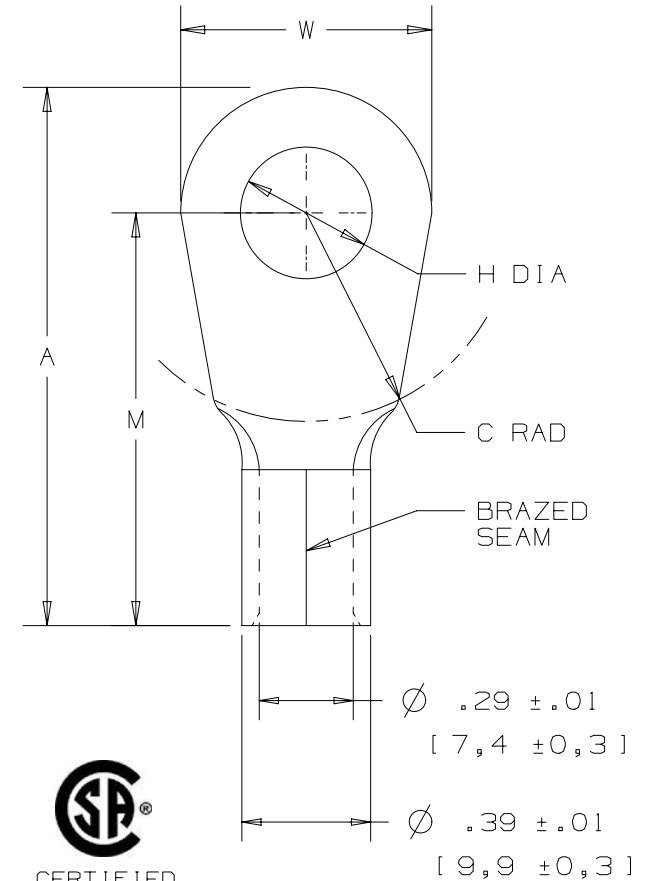
THIS COPY IS PROVIDED ON A RESTRICTED BASIS AND IS NOT TO BE USED IN ANY WAY DETRIMENTAL TO THE INTERESTS OF PANDUIT CORP.

PANDUIT PART NUMBER	STUD SIZE	DIMENSIONS - in [mm]				
		A ± .03 [0,8]	W ± .01 [0,3]	C ± .02 [0,5]	M ± .03 [0,8]	H ± .01 [0,3]
P4-10R	#10	1.40 [35,6]	.55 [14,0]	.50 [12,7]	1.12 [28,5]	.20 [5,1]
P4-14R	1/4"	1.40 [35,6]	.55 [14,0]	.50 [12,7]	1.12 [28,5]	.27 [6,9]
P4-56R	5/16"	1.46 [37,1]	.68 [17,3]	.50 [12,7]	1.12 [28,5]	.33 [8,4]
P4-38R	3/8"	1.46 [37,1]	.68 [17,3]	.50 [12,7]	1.12 [28,5]	.39 [9,9]
P4-12R	1/2"	1.55 [39,4]	.86 [21,8]	.53 [13,5]	1.12 [28,5]	.52 [13,2]

UL & CSA TOOL, DIES AND NUMBER OF CRIMPS		
TOOLS	DIES	NUMBER OF CRIMPS
CT-1701	P4	2
CT-2600	CD-2600-P4	1

NOTES:

- UL LISTED AND CSA CERTIFIED FOR:
  - #4 AWG STRANDED COPPER WIRE
  - 302°F (150°C) MAX TEMP RATING
  - 2000 VOLTS MAX
- SEE WWW.PANDUIT.COM FOR PACKAGE QUANTITIES
- MATERIAL:
  - STAMPING - .05" [1,27] THK COPPER, TIN PLATED
- DIMENSIONS IN BRACKETS ARE IN MILLIMETERS
- WIRE STRIP LENGTH:  $1/2" \begin{matrix} +1/32 \\ -0 \end{matrix} [12,7\text{mm} \begin{matrix} +0,8 \\ -0 \end{matrix}]$



TITLE	
#4 BARREL NON-INSULATED RING TONGUE	
CUSTOMER DRAWING	
ITEM REVISION NAME	N41213BB/10
DATASET FILE NAME	N41213BB/10
UNLESS OTHERWISE SPECIFIED, DIMENSIONAL TOLERANCES ARE: IN [mm]	
.X ±	.XXX ±
.XX ±	ANGLES ±
THIRD ANGLE PROJECTION	
DRAWING NUMBER: A41213	
DRAWN BY	DAW
DATE	
CHK	
SCALE	NONE
SHT 1 OF 1	
SIZE A	

REV	DATE	BY	CHK	APR	DESCRIPTION	ECN
10	10/16/18	BWG	BJPU	JADE	REPLACED TABLE WITH NUMBER OF CRIMPS.	041687/00
09	5/17	JHNU	TMR	RGB	ADDED VOLTAGE RATING	N41213BB-A41213
08	07/15	TMR	TMR	RGB	ADDED CSA BACK TO DWG, DIE INFORMATION	N41213BB-A41213
07	07/14	MBY	JHNU	RGB	REVISED NOTES, MOVED TOOLS TO TABLE, REVISED CERTIFICATION, UPDATED BORDER	N41213BB-A41213

D101000DA/16