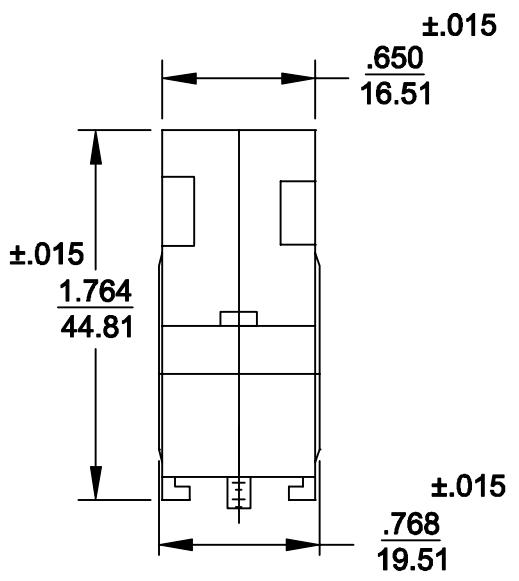
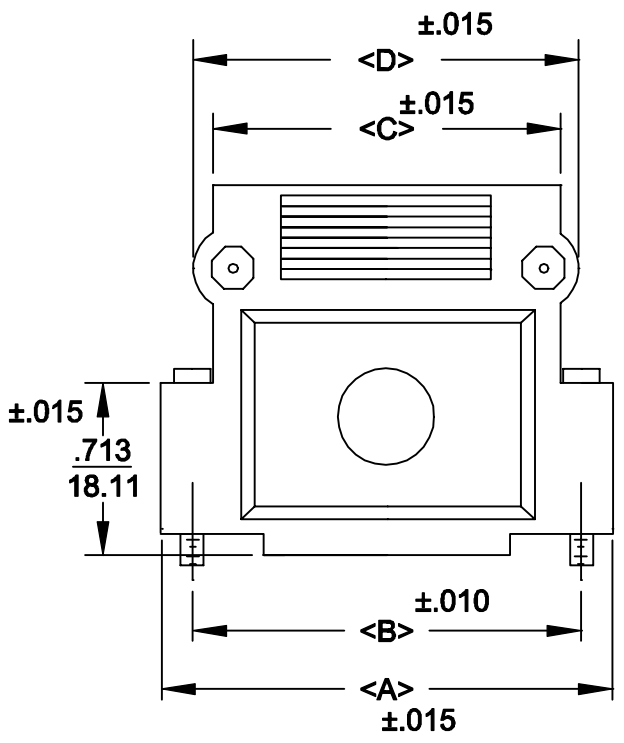


DESCRIPTION: **976 SERIES**

- BACKSHELL KIT INCLUDES:**
 (2) BACKSHELL HALVES
 (2) 4-40 MATING SCREWS
 (2) HOUSING SCREWS
 (2) HOUSING NUTS




976-XXX-XXX-XX1

SERIES _____
 POSITIONS _____
 009
 015
 025
 037
 MATERIAL _____
 010 = PLASTIC
 020 = METALIZED PLASTIC
 COLOR: _____
 03 = GREY
 12 = NICKEL OVER COPPER
 PUT-UPS _____
 1 = KIT

| POS. | A | B | C | D |
|------|-------|-------|-------|-------|
| 9 | 1.319 | .984 | .758 | .946 |
| | 33.50 | 24.99 | 19.25 | 24.03 |
| 15 | 1.622 | 1.312 | 1.102 | 1.289 |
| | 41.20 | 33.32 | 27.99 | 32.74 |
| 25 | 2.157 | 1.852 | 1.642 | 1.874 |
| | 54.79 | 47.04 | 41.71 | 47.60 |
| 37 | 2.815 | 2.500 | 2.283 | 2.470 |
| | 71.50 | 63.50 | 57.99 | 62.74 |

METALIZED PLASTIC:
MATERIALS: ABS HIGH TEMPERATURE PLASTIC 94HB
PLATING: CHROME
METALIZED PLASTIC:
MATERIALS: ABS HIGH TEMPERATURE PLASTIC 94HB - GREY

| | | | | |
|--|---|-----------------------------------|------------------------------|------------------------|
|  | THESE DRAWINGS AND SPECIFICATIONS ARE THE PROPERTY OF NorComp AND SHALL NOT BE REPRODUCED, COPIED OR USED AS THE BASIS FOR THE MANUFACTURE OR SALE OF APPARATUS WITHOUT WRITTEN PERMISSION. | | DRAWN: PAM JENKINS | DATE: 8-6-98 |
| | | | CHECKED: | DATE: |
| NorComp | | SCALE | SHEET OF | REV 2 |
| | | DWG NO. 976-XXX-0X0-XX1 | | |