

## Docking frames - HC-B 6-ANDOCK - 1586112

Please be informed that the data shown in this PDF Document is generated from our Online Catalog. Please find the complete data in the user's documentation. Our General Terms of Use for Downloads are valid (<http://download.phoenixcontact.com>)



Docking frames for racks, for type B6 contact inserts, with 4 M5 flat headed screws, slide-in offset for x/y axis of  $\pm 1.5$  mm



### Key commercial data

Packing unit	1 PCE
Custom tariff number	85389099
Country of origin	Germany

### Technical data

#### General

Material	High-grade steel
----------	------------------

### Classifications

#### eCl@ss

eCl@ss 4.0	272607xx
eCl@ss 4.1	27260701
eCl@ss 5.0	27189207
eCl@ss 5.1	27189207
eCl@ss 6.0	27143424
eCl@ss 7.0	27440209
eCl@ss 8.0	27440209

#### ETIM

ETIM 3.0	EC002310
ETIM 4.0	EC002310
ETIM 5.0	EC002310

# Docking frames - HC-B 6-ANDOCK - 1586112

## Classifications

### UNSPSC

UNSPSC 6.01	30211817
UNSPSC 7.0901	39121416
UNSPSC 11	43172601
UNSPSC 12.01	39121522
UNSPSC 13.2	39121522

## Approvals

### Approvals

---

Approvals

GOST

---

Ex Approvals

---

Approvals submitted

---

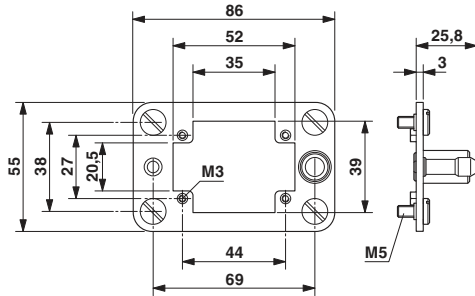
### Approval details



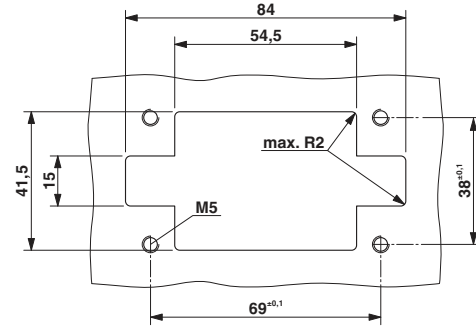
## Drawings

## Docking frames - HC-B 6-ANDOCK - 1586112

Dimensioned drawing



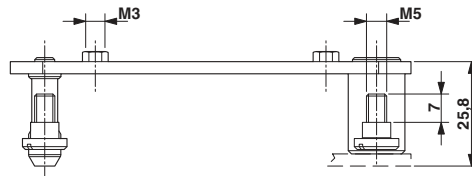
Dimensioned drawing



Dimensional drawing

Panel cutout

Dimensioned drawing



max. dimensions of both the docking frames (in case of standard contacts 25.8 mm;  
in case of fiber optics contacts 27 mm; in case of pneumatic contacts 26.5 mm)