

STRUCTURE	Silicon Monolithic Integrated Circuit
PRODUCT SERIES	BTL driver for CD/CD-ROM
TYPE	BA 5 9 8 3 FP
PACKAGE OUTLINES	Figure 1 (Plastic Mold)
POWER DISSIPATION	Figure 2
BLOCK DIAGRAM	Figure 3
APPLICATION	Figure 4
TEST CIRCUIT	Figure 5

- FUNCTIONS**
- 4ch BTL Driver.
  - Small surface mounting power package ( HSOP 28) .
  - Wide dynamic range. ( 4V( typ.) at PreVcc=12V,PowVcc=5V,RL=8Ω )
  - Thermal shut down circuit built in.
  - Separating Vcc into Pre and Power ( Power divides into CH1/2 and CH3/4 , can make better power efficiency, by low supply voltage drive.
  - Mute operated individually CH4 and CH1/2/3.
  - All channels mute is stand by mode.
  - Suitable for low operation voltage DSP by wide D-range pre opamp.

**ABSOLUTE MAXIMUM RATINGS**

Parameter	Symbol	Limits	Unit
Supply voltage	PreVcc,PowVcc	13.5	V
Power dissipation	Pd	1.7 #1	W
Max output current	I <sub>OMAX</sub>	1 #2	A
Operating temperature	Topr	-35 ~ 85	°C
Storage temperature	Tstg	-55 ~ 150	°C

#1 On less than 3% (percentage occupied by copper foil) , 70x 70mm<sup>2</sup> ,t=1.6mm, glass epoxy mounting. Reduce power by 13.6mW for each degree above 25°C .

#2 The output current must not exceed the maximum Pd and ASO.

**GUARANTEED OPERATING RANGES**

Parameter	Symbol	Limits	Unit
Vcc for pre block	PreVcc	4.5 ~ 13.2	V
Vcc for power block	PowVcc	4.5 ~ PreVcc	V

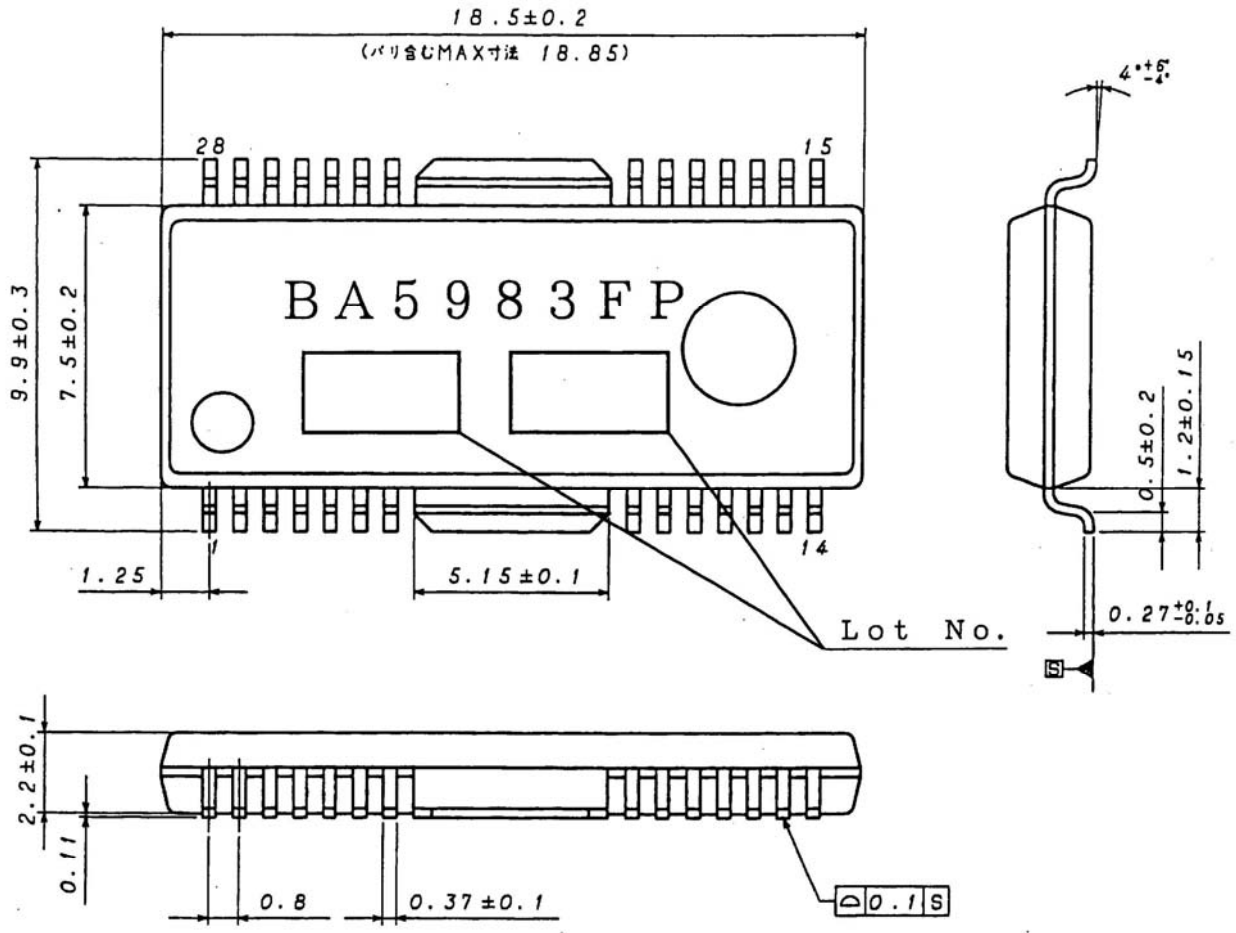
**ELECTRICAL CHARACTERISTICS**

 ( Unless otherwise noted,  $T_a=25^\circ\text{C}$ ,  $\text{PreVcc}=8\text{V}$ ,  $\text{PowVcc1}=5\text{V}$ ,  $\text{PowVcc2}=8\text{V}$ ,  $V_{\text{BIAS}}=1.65\text{V}$ ,  $R_L=8\Omega$  )

Parameter	Symbol	Min.	Typ.	Max.	UNIT	Conditions	Test circuit
Quiescent current	$I_Q$	—	20	32	mA	$R_L=\infty$	Fig.5
CH1-3 Standby Current	$I_{QST1}$	—	6.2	13	mA	$R_L=\infty$	Fig.5
CH4 Standby Current	$I_{QST2}$	—	16	26	mA	$R_L=\infty$	Fig.5
All Channel Standby Current	$I_{QST3}$	—	—	1	mA	$R_L=\infty$	Fig.5
<Driver block>							
Output offset voltage	$V_{\text{OOF}}$	-70	—	70	mV		Fig.5
Maximum output voltage 1	$V_{\text{OM1}}$	3.6	4.0	—	V	CH1,2 $V_{\text{IN}}=V_{\text{BIAS}} \pm 1.65\text{V}$	Fig.5
Maximum output voltage 2	$V_{\text{OM2}}$	5.4	6.0	—	V	CH3,4 $V_{\text{IN}}=V_{\text{BIAS}} \pm 1.65\text{V}$	Fig.5
Closed loop voltage gain 1	$G_{\text{VC1}}$	10	12	14	dB	CH1,2 $V_{\text{IN}}=V_{\text{BIAS}} \pm 0.5\text{V}$	Fig.5
Closed loop voltage gain 2	$G_{\text{VC2}}$	16	18	20	dB	CH3,4 $V_{\text{IN}}=V_{\text{BIAS}} \pm 0.5\text{V}$	Fig.5
Slew Rate	$\text{SR}_{\text{DRV}}$	—	2	—	V	Input pulse 100kHz, 2Vp-p	Fig.5
Standby on voltage	$V_{\text{STON}}$	—	—	0.5	V		Fig.5
Standby off voltage	$V_{\text{STOFF}}$	2.0	—	—	V		Fig.5
Bias drop mute on voltage	$V_{\text{BMDN}}$	—	—	0.7	V		Fig.5
Bias drop mute off voltage	$V_{\text{BMBFF}}$	1.3	—	—	V		Fig.5
<Pre operational amplifier>							
Common mode input range	$V_{\text{ICM}}$	0	—	6.8	V		Fig.5
Input offset voltage	$V_{\text{FOF}}$	-6	0	6	mV		Fig.5
Input bias current	$I_{\text{BOP}}$	—	—	300	nA		Fig.5
High level output voltage	$V_{\text{HOP}}$	7	7.8	—	V	$V_{\text{BIAS}}=4\text{V}$	Fig.5
Low level output voltage	$V_{\text{LOP}}$	—	—	0.3	V	$V_{\text{BIAS}}=4\text{V}$	Fig.5
Output sink current	$I_{\text{S1}}$	1	—	—	mA	output to PreVcc by 50Ω, $V_{\text{BIAS}}=4\text{V}$	Fig.5
Output source current	$I_{\text{S0}}$	300	500	—	μA	output to GND by 50Ω, $V_{\text{BIAS}}=4\text{V}$	Fig.5
Slew rate	$\text{SR}_{\text{OP}}$	—	2	—	V/μs	Input pulse 100kHz, 2Vp-p	Fig.5

○ This product is not designed for protection against radioactive rays.

PACKAGE OUTLINES (mm)

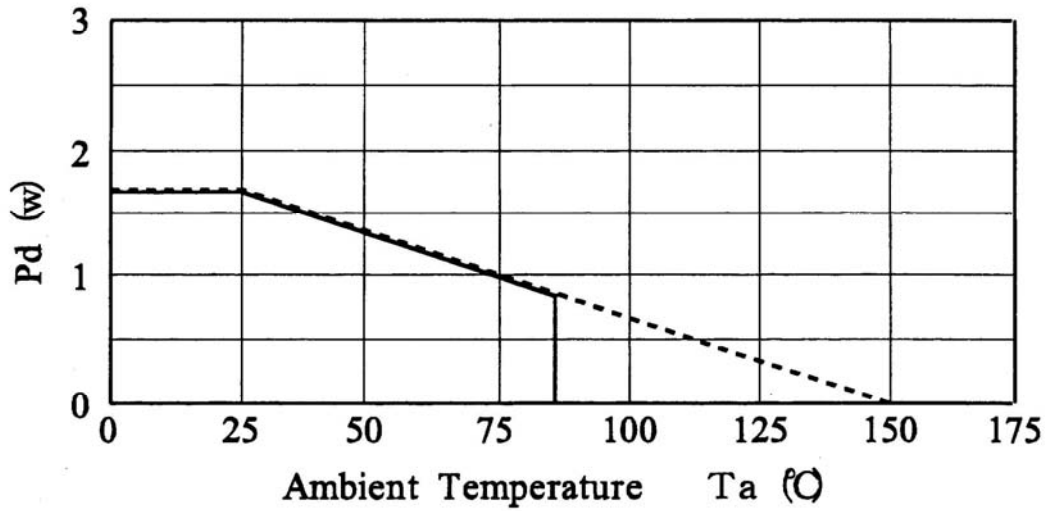


(UNIT: mm)

図番: EX140-5001-1

Figure 1

POWER DISSIPATION / Electrical characteristic curves

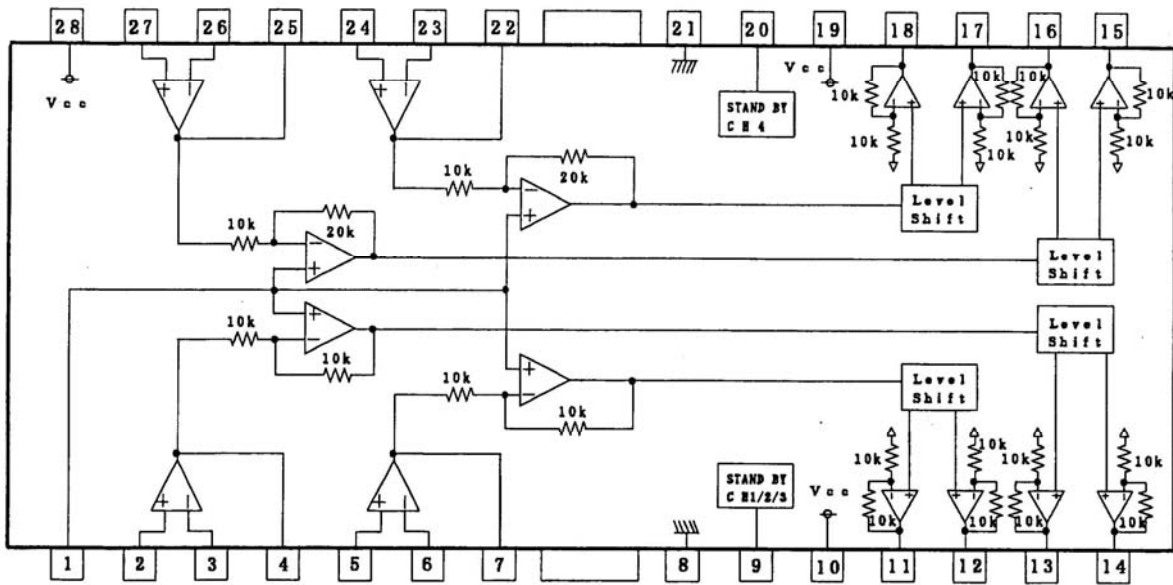


**Pd : power dissipation**

\* On less than 3% (percentage occupied by copper foil) , 70× 70mm<sup>2</sup> ,t=1.6mm glass epoxy mounting.

Figure 2

**BLOCK DIAGRAM**



resistor unit :  $\Omega$

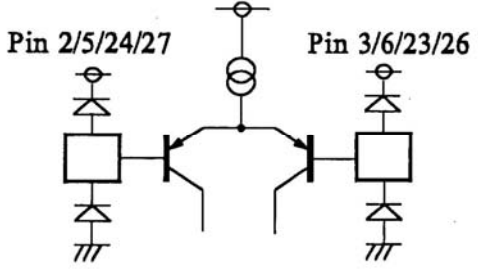
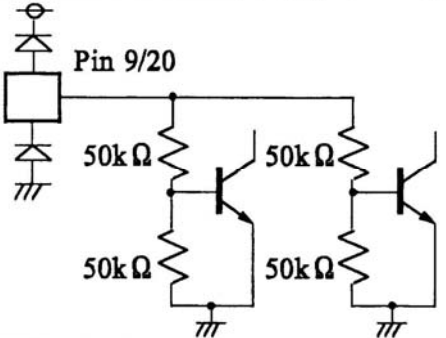
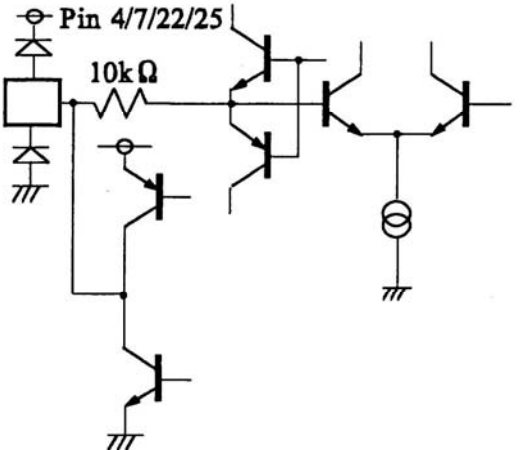
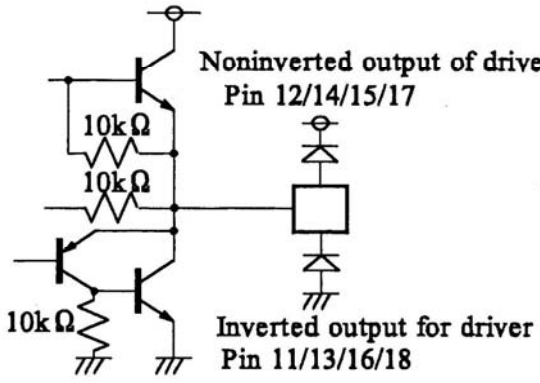
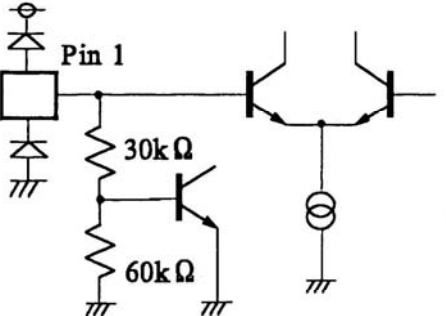
Figure 3

Pin description

NO	Symbol	Function	NO	Symbol	Function
1	BIAS IN	Input for Bias-amplifier	15	VO4(+)	Non inverted output of CH4
2	OPIN1(+)	Non inverting input for CH1 OP-AMP	16	VO4(-)	Inverted output of CH4
3	OPIN1(-)	Inverting input for CH1 OP-AMP	17	VO3(+)	Non inverted output of CH3
4	OPOUT1	Output for CH1 OP-AMP	18	VO3(-)	Inverted output of CH3
5	OPIN2(+)	Non inverting input for CH2 OP-AMP	19	PowVcc2	Vcc for CH3/4 power block
6	OPIN2(-)	Inverting input for CH2 OP-AMP	20	STBY2	Input for CH4 stand by control
7	OPOUT2	output for CH2 OP-AMP	21	GND	Substrate ground
8	GND	Substrate ground	22	OPOUT3	Output for CH3 OP-AMP
9	STBY1	Input for CH1/2/3 stand by control	23	OPIN3(-)	Inverting input for CH3 OP-AMP
10	PowVcc1	Vcc for CH1/2 power block	24	OPIN3(+)	Non inverting input for CH3 OP-AMP
11	VO2(-)	Inverted output of CH2	25	OPOUT4	Output for CH4 OP-AMP
12	VO2(+)	Non inverted output of CH2	26	OPIN4(-)	Inverting input for CH4 OP-AMP
13	VO1(-)	Inverted output of CH1	27	OPIN4(+)	Non inverting input for CH4 OP-AMP
14	VO1(+)	Non inverted output of CH1	28	Pre Vcc	Vcc for pre block

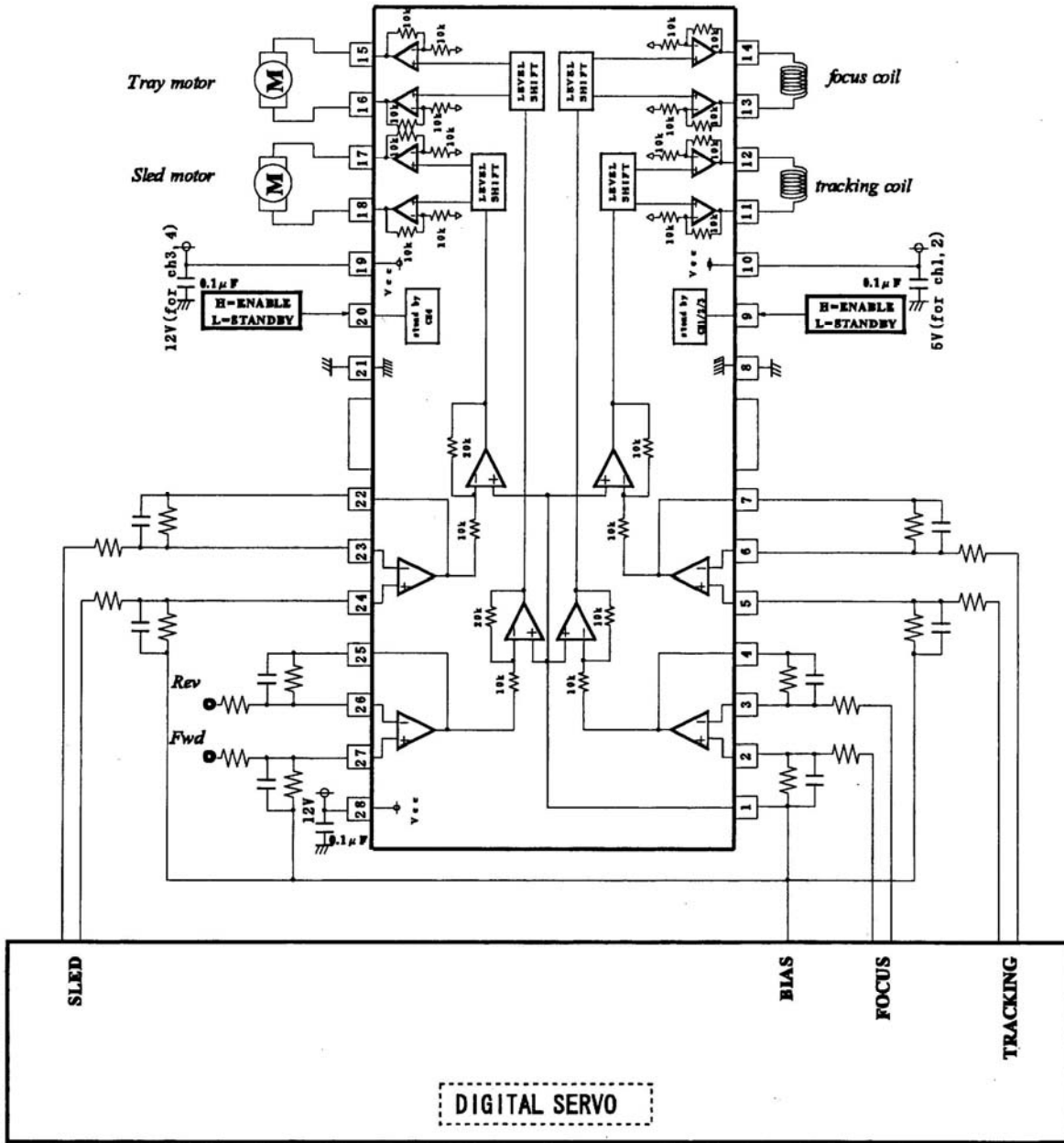
notes) Symbol of + and - (output of drivers) means polarity to input pin.  
(For example if voltage of pin4 high, pin14 is high)

EQUIVALENT CIRCUIT OF TERMINALS

Input for Operational amplifier	Input for stand by control
 <p>Pin 2/5/24/27</p> <p>Pin 3/6/23/26</p>	 <p>Pin 9/20</p> <p>50kΩ</p> <p>50kΩ</p> <p>50kΩ</p> <p>50kΩ</p>
Output of OP - amp & input for driver	Output of driver
 <p>Pin 4/7/22/25</p> <p>10kΩ</p>	 <p>Noninverted output of driver Pin 12/14/15/17</p> <p>10kΩ</p> <p>10kΩ</p> <p>10kΩ</p> <p>Inverted output for driver Pin 11/13/16/18</p>
Input for bias amplifier	
 <p>Pin 1</p> <p>30kΩ</p> <p>60kΩ</p>	

resistor unit : Ω

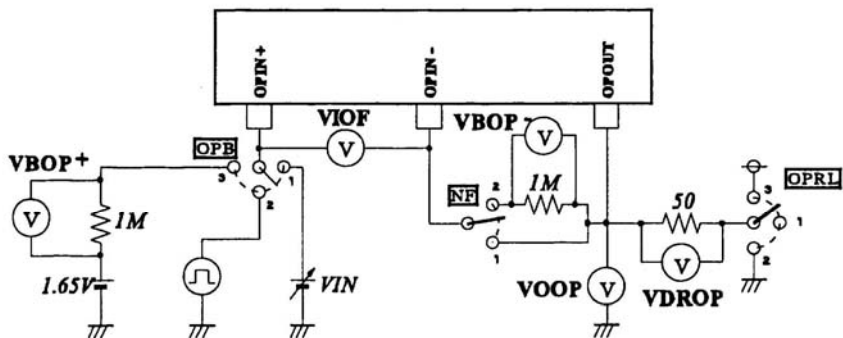
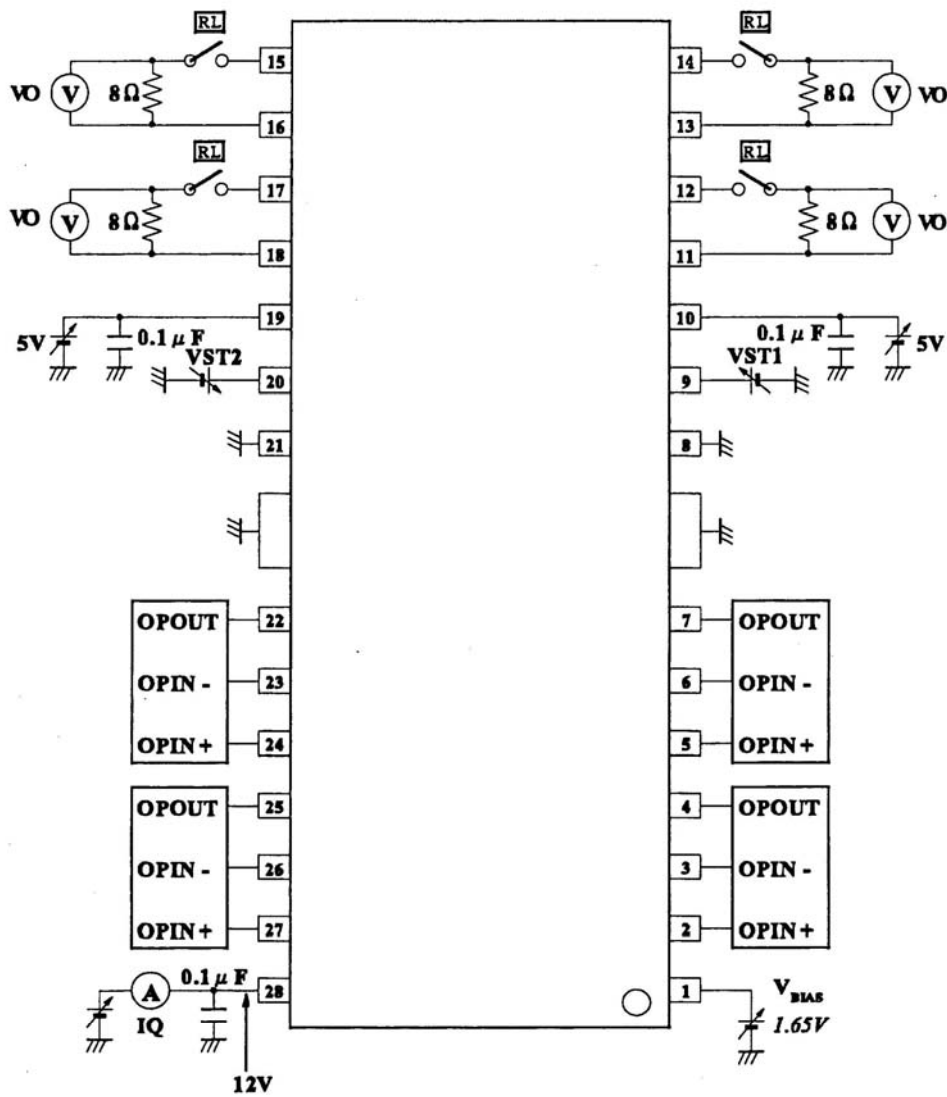
Application circuit



resistor unit : Ω

Figure 4

TEST CIRCUIT



resistor unit :  $\Omega$

Figure 5



**Table of measuring circuit switches**

 1) Quiescent current or standby (  $V_{IN}=V_{BIAS}=1.65V$ , OPB→ 1, RL→ OFF, NF→ 1, OPRL→ 1)

Symbol	Input		Conditions	Measuring point
	VST1	VST2		
IQ	5V	5V		IQ
IQST1	0V	5V		IQ
IQST2	5V	0V		IQ
IQST3	0V	0V		IQ

2) Driver block ( OPB→ 1,NF→ 1,OPRL→ 1, RL→ ON)

Symbol	SW	Input				Condition	Measuring point
	OPB	VIN	VST1	VST2	VBIAS		
VOO1	1	1.65V	2.0V	2.0V	1.65V		VO (CH1,2)
VOO2	1	1.65V	2.0V	2.0V	1.65V		VO (CH3,4)
VOM1	1	± 1.65V	2.0V	2.0V	1.65V	VIN=0V or 3.3V	VO (CH1,2)
VOM2	1	± 1.65V	2.0V	2.0V	1.65V	VIN=0V or 3.3V	VO (CH3,4)
GVC1	1	± 0.5V	2.0V	2.0V	1.65V	VIN=1.15V or 2.15V	VO (CH1,2)
GVC2	1	± 0.5V	2.0V	2.0V	1.65V	VIN=1.15V or 2.15V	VO (CH3,4)
VSTON	1	3.0V	0.5V	0.5V	1.65V	Check output of driver is muted.	VO
VSTOFF	1	3.0V	2.0V	2.0V	1.65V	Check output of driver is active.	VO
VBMON	1	3.0V	0.5V	0.5V	0.5V	Check output of driver is muted.	VO
VBMOFF	1	3.0V	2.0V	2.0V	1.3V	Check output of driver is active.	VO
SR <sub>DRV</sub>	2	± 1V	2.0V	2.0V	1.65V	Input pulse 100kHz, *2V <sub>p-p</sub>	VO

3) Pre operational amplifier ( VST1=VST2=2V,RL→ OFF)

Symbol	Switch			Input		Conditions	Measuring point
	OPB	NF	OPRL	VIN	VBIAS		
VOFOP	1	1	1	1.65V	1.65V		VIOF
VBOP	3	2	1	1.65V	1.65V		VBOP/1M Ω
VOHOP	1	1	1	12V	6V	V <sub>BIAS</sub> =VCC/2	VOOP
VOLOP	1	1	1	0V	6V	V <sub>BIAS</sub> =VCC/2	VOOP
ISI	1	1	3	6V	6V	V <sub>BIAS</sub> =VCC/2	VDROP/50 Ω
ISO	1	1	2	6V	6V	V <sub>BIAS</sub> =VCC/2	VDROP/50 Ω
SROP	2	1	1	± 1.0V*	1.65V	Input pulse 100kHz, *2V <sub>p-p</sub>	VOOP

## Notes on use

1. Thermal shut down circuit is built in. In case IC chip temperature rises to 175°C (typ), thermal shut down circuit operates and mutes the output current. Next time IC chip temperature falls below 150°C (typ), the driver blocks start.
2. Bias pin (pin1) should be pulled up more than 1.3V. In case bias pin voltage is under 0.7V (typ), output current is muted.
3. In case supply voltage falls below 3.8V (typ), output current is muted. Next time supply voltage rises to 4.0V (typ.), the driver blocks start.
4. Mute operation is caused by thermal shut down, decrease of bias pin voltage or decrease of supply voltage. when mute is done, output voltage becomes internal reference voltage (about PowVcc/2).
5. In case of one of the standby terminals turn into or open, correspondence channel circuit (include opamps) is muted.
6. Both of the standby terminals low or open, all circuits shutdown (sleep mode) and all output pins become high impedance.  
In addition to threshold is 1.4V (typ.).
7. Supply voltage of PreVcc should be equal to or higher than PowVcc.
8. Take care the external resistor value of OPamp.  
OPamp source current supplies to internal resistor (10K Ω) as well as external resistor.
9. Insert the bypass capacitor between Vcc pin and GND pin of IC as near as possible (approximately 0.1μF).
10. Keep the GND pin voltage the lowest of all pins.
11. Heat dissipation fins are attached to the GND on the inside of the package. Make sure to connect these to the external GND.

## Notes

No copying or reproduction of this document, in part or in whole, is permitted without the consent of ROHM Co.,Ltd.

The content specified herein is subject to change for improvement without notice.

The content specified herein is for the purpose of introducing ROHM's products (hereinafter "Products"). If you wish to use any such Product, please be sure to refer to the specifications, which can be obtained from ROHM upon request.

Examples of application circuits, circuit constants and any other information contained herein illustrate the standard usage and operations of the Products. The peripheral conditions must be taken into account when designing circuits for mass production.

Great care was taken in ensuring the accuracy of the information specified in this document. However, should you incur any damage arising from any inaccuracy or misprint of such information, ROHM shall bear no responsibility for such damage.

The technical information specified herein is intended only to show the typical functions of and examples of application circuits for the Products. ROHM does not grant you, explicitly or implicitly, any license to use or exercise intellectual property or other rights held by ROHM and other parties. ROHM shall bear no responsibility whatsoever for any dispute arising from the use of such technical information.

The Products specified in this document are intended to be used with general-use electronic equipment or devices (such as audio visual equipment, office-automation equipment, communication devices, electronic appliances and amusement devices).

The Products specified in this document are not designed to be radiation tolerant.

While ROHM always makes efforts to enhance the quality and reliability of its Products, a Product may fail or malfunction for a variety of reasons.

Please be sure to implement in your equipment using the Products safety measures to guard against the possibility of physical injury, fire or any other damage caused in the event of the failure of any Product, such as derating, redundancy, fire control and fail-safe designs. ROHM shall bear no responsibility whatsoever for your use of any Product outside of the prescribed scope or not in accordance with the instruction manual.

The Products are not designed or manufactured to be used with any equipment, device or system which requires an extremely high level of reliability the failure or malfunction of which may result in a direct threat to human life or create a risk of human injury (such as a medical instrument, transportation equipment, aerospace machinery, nuclear-reactor controller, fuel-controller or other safety device). ROHM shall bear no responsibility in any way for use of any of the Products for the above special purposes. If a Product is intended to be used for any such special purpose, please contact a ROHM sales representative before purchasing.

If you intend to export or ship overseas any Product or technology specified herein that may be controlled under the Foreign Exchange and the Foreign Trade Law, you will be required to obtain a license or permit under the Law.



Thank you for your accessing to ROHM product informations.  
More detail product informations and catalogs are available, please contact us.

### ROHM Customer Support System

<http://www.rohm.com/contact/>