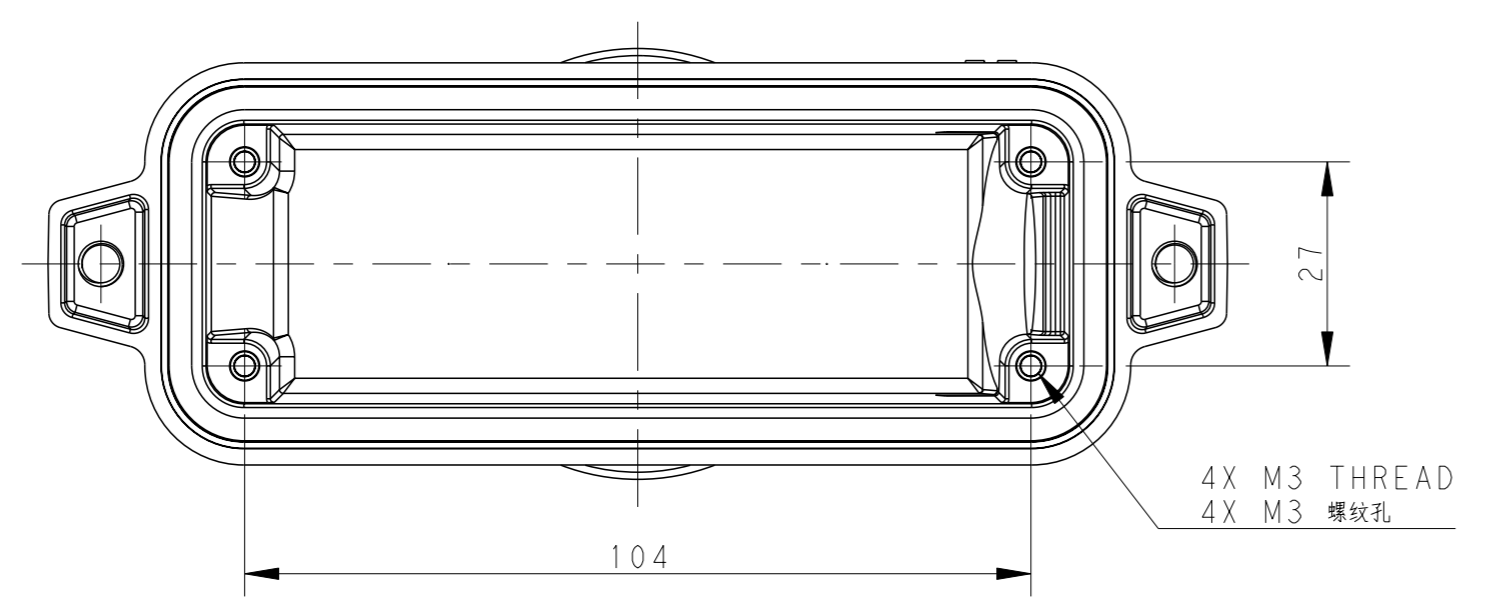
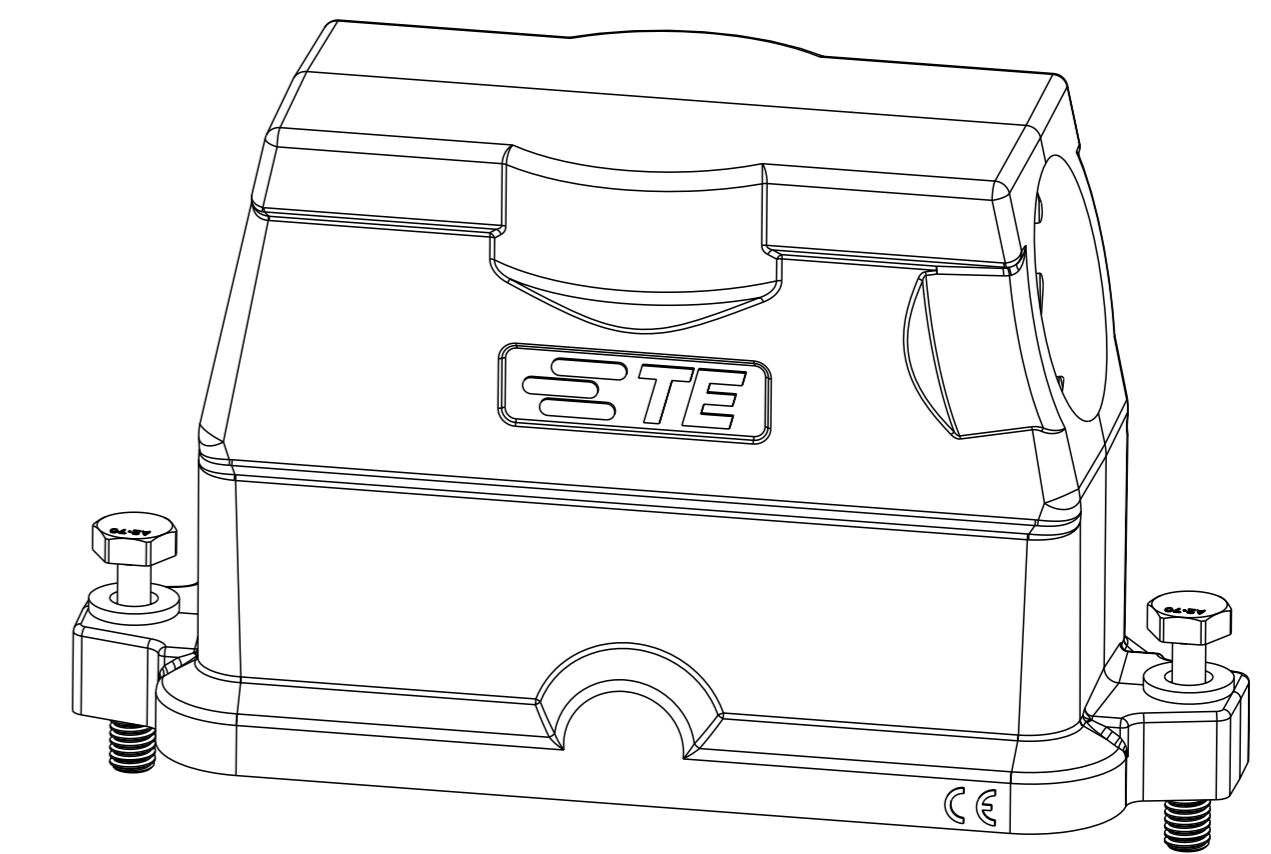
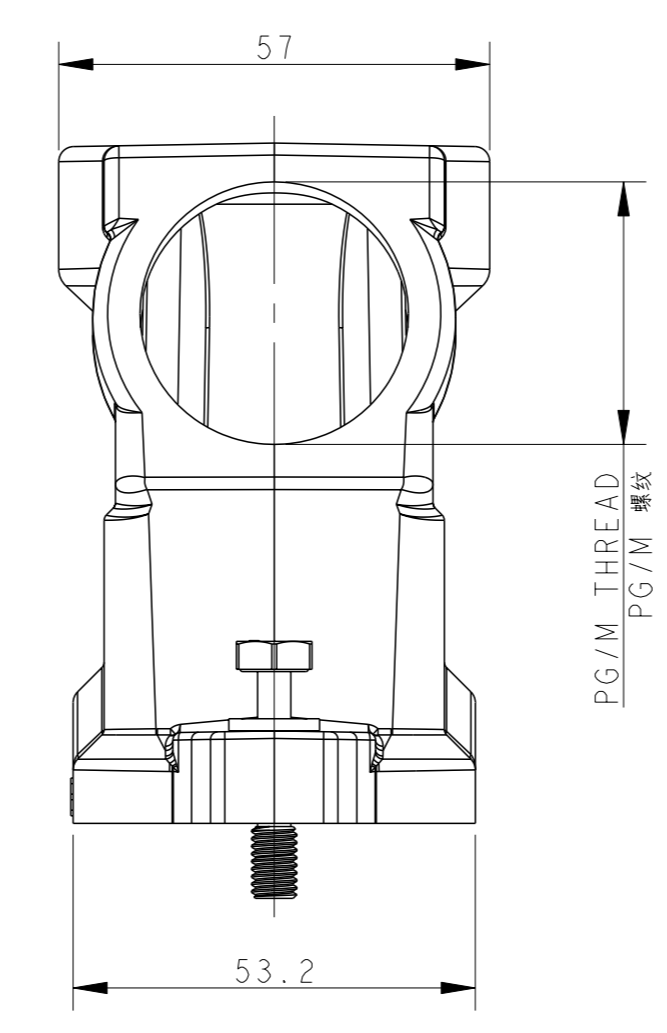
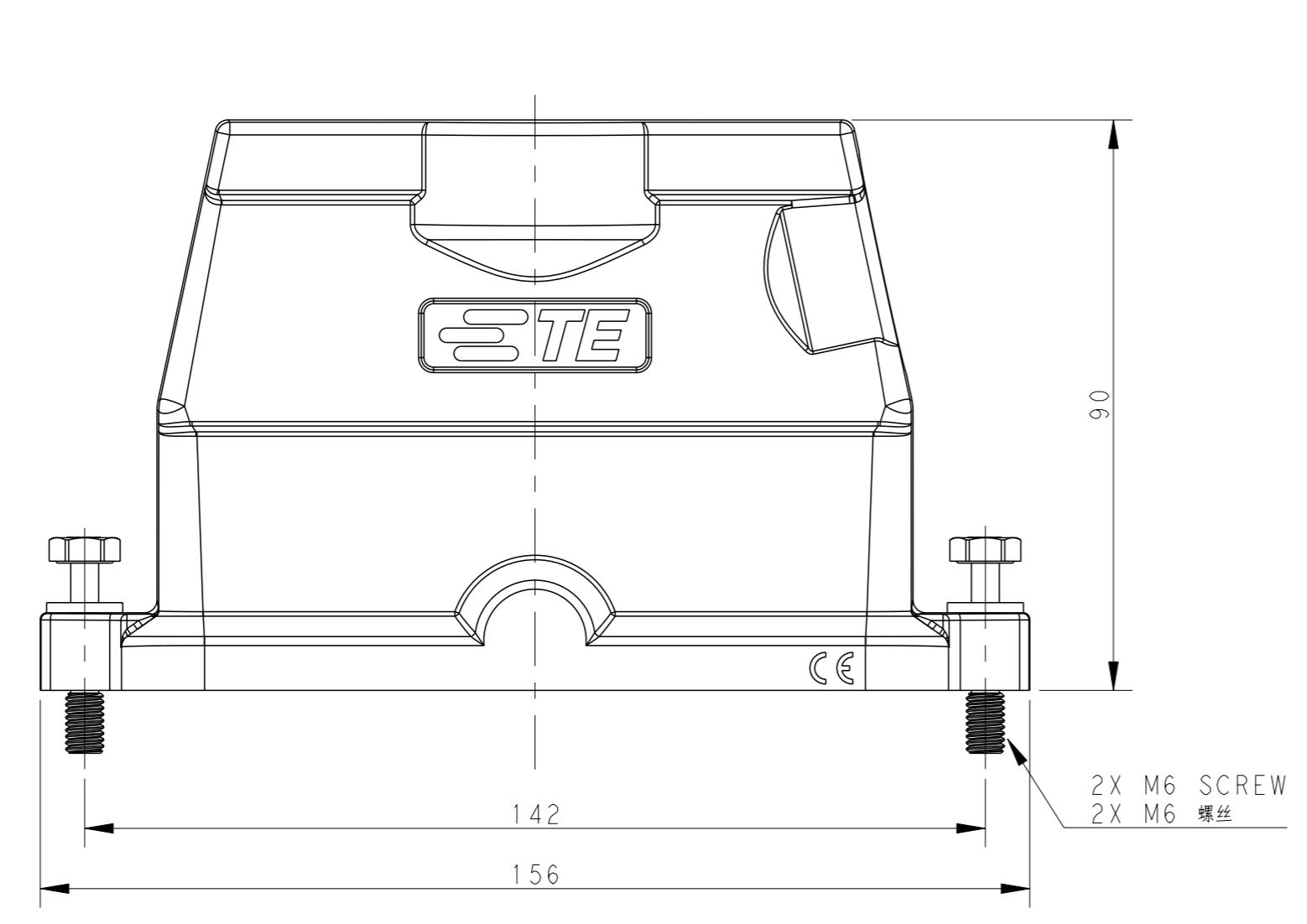


| REVISIONS |     |                 |           |          |
|-----------|-----|-----------------|-----------|----------|
| #         | CTH | DESCRIPTION     | DATE      | DWN APVD |
| A         |     | INITIAL RELEASE | 07JUN2016 | DW CW    |
| B         |     | ECR-20-016312   | 03JUN2021 | BS CW    |

NOTES:  
 1. TECHNICAL CHARACTERISTICS:  
 HOOD MATERIAL: DIE CAST ALUMINIUM ALLOY  
 SURFACE: SEE TABLE  
 DEGREE OF PROTECTION: IP68 (MATED)

注释:  
 1. 技术参数:  
 壳体材料: 铝合金  
 表面处理: 见表格  
 防护等级: IP68 (配合)



| PART NUMBER<br>料号 | DESCRIPTION<br>描述  | PG/M THREAD<br>PG/M 螺纹 |
|-------------------|--|------------------------|
| T1912241140-009   | H24BPR-TSHC-M40-EMC-C<br>H24BPR HOOD, CENTER LOCKING, SIDE ENTRY M40, POWDER COATED, SILVER WHITE<br>H24BPR中部锁定侧出壳M40 银白色    | M40                    |
| T1912241132-009   | H24BPR-TSHC-M32-EMC-C<br>H24BPR HOOD, CENTER LOCKING, SIDE ENTRY M32, POWDER COATED, SILVER WHITE<br>H24BPR中部锁定侧出壳M32 银白色    | M32                    |
| T1912241129-009   | H24BPR-TSHC-PG29-EMC-C<br>H24BPR HOOD, CENTER LOCKING, SIDE ENTRY PG29, POWDER COATED, SILVER WHITE<br>H24BPR中部锁定侧出壳PG29 银白色 | PG29                   |
| T1912241125-009   | H24BPR-TSHC-M25-EMC-C<br>H24BPR HOOD, CENTER LOCKING, SIDE ENTRY M25, POWDER COATED, SILVER WHITE<br>H24BPR中部锁定侧出壳M25 银白色    | M25                    |
| T1912241121-009   | H24BPR-TSHC-PG21-EMC-C<br>H24BPR HOOD, CENTER LOCKING, SIDE ENTRY PG21, POWDER COATED, SILVER WHITE<br>H24BPR中部锁定侧出壳PG21 银白色 | PG21                   |
| T1912240140-009   | H24BPR-TSHC-M40-EMC-C<br>H24BPR HOOD, CENTER LOCKING, SIDE ENTRY M40, POWDER COATED, BLACK<br>H24BPR中部锁定侧出壳M40 黑色            | M40                    |
| T1912240132-009   | H24BPR-TSHC-M32-EMC-C<br>H24BPR HOOD, CENTER LOCKING, SIDE ENTRY M32, POWDER COATED, BLACK<br>H24BPR中部锁定侧出壳M32 黑色            | M32                    |
| T1912240129-009   | H24BPR-TSHC-PG29-EMC-C<br>H24BPR HOOD, CENTER LOCKING, SIDE ENTRY PG29, POWDER COATED, BLACK<br>H24BPR中部锁定侧出壳PG29 黑色         | PG29                   |
| T1912240125-009   | H24BPR-TSHC-M25-EMC-C<br>H24BPR HOOD, CENTER LOCKING, SIDE ENTRY M25, POWDER COATED, BLACK<br>H24BPR中部锁定侧出壳M25 黑色            | M25                    |
| T1912240121-009   | H24BPR-TSHC-PG21-EMC-C<br>H24BPR HOOD, CENTER LOCKING, SIDE ENTRY PG21, POWDER COATED, BLACK<br>H24BPR中部锁定侧出壳PG21 黑色         | PG21                   |

|  |               |                                |                                |
|--|---------------|--------------------------------|--------------------------------|
| THIS DRAWING IS A CONTROLLED DOCUMENT. |               | DWN<br>DAVID WANG<br>07JUN2016 | TE Connectivity                |
| DIMENSIONS:                            |               | CHK<br>CHRIS WANG              |                                |
| TOLERANCES UNLESS OTHERWISE SPECIFIED: |               | APVD<br>XIANG XU<br>07JUN2016  | NAME<br>H24BPR-TSHC-PG/M-EMC-C |
| mm                                     | 0 PLC ±       | PRODUCT SPEC                   | SIZE                           |
|  | 1 PLC ±       | 108-137191                     | CAGE CODE                      |
|  | 2 PLC ±       | APPLICATION SPEC               | DRAWING NO                     |
|  | 3 PLC ±       | 114-137191                     | RESTRICTED TO                  |
|  | 4 PLC ±       | WEIGHT                         | A1                             |
|  | ANGLES FINISH | CUSTOMER DRAWING               | SCALE 1:1                      |
| MATERIAL                               |               |                                | SHEET 1 OF 1                   |
|  |               |                                | REV B                          |

Printed on 7 Jun 2021 15:34 (China Standard Time) from T1912240140