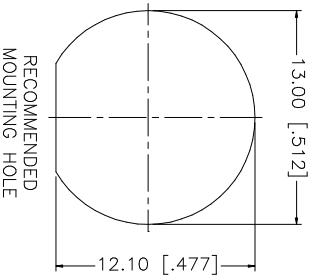
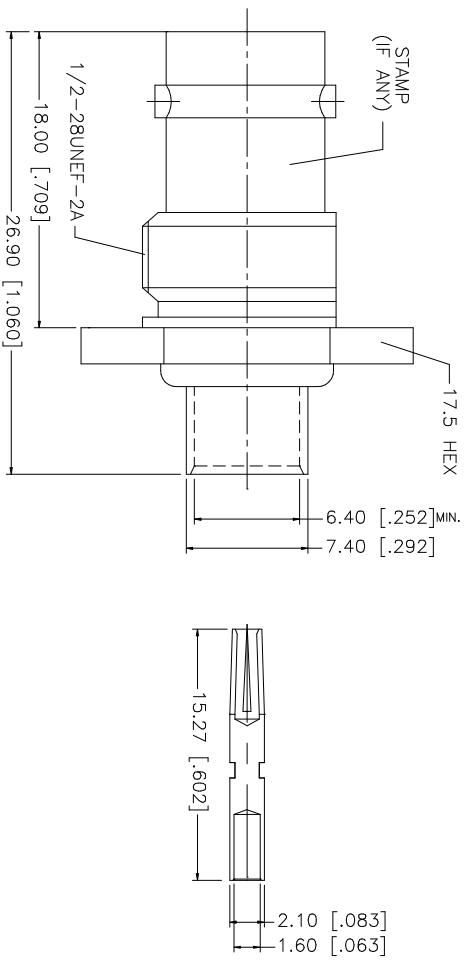
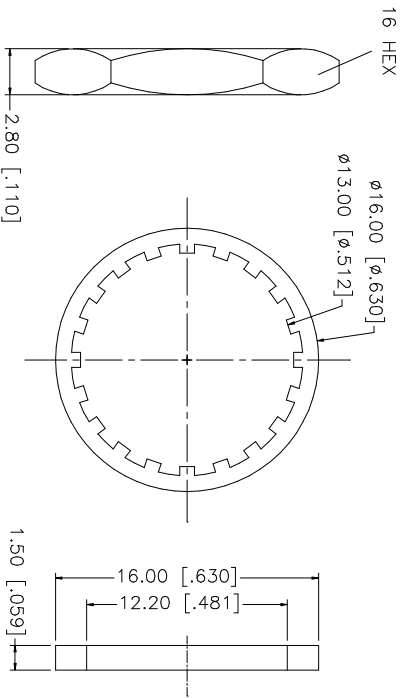
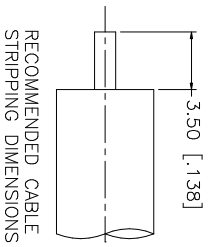


REV.	DATE	DESCRIPTION
NC	02/21/03	INITIAL RELEASE



NOTE:  
1. CONTACT PIN TO SOLDER

REV.	DATE	DESCRIPTION
8		
7		
6		
5		
4		
3		
2		
1		

DESCRIPTION	MATERIAL	FINISH	QTY
HEX NUT	BRASS	NICKEL	1
LOCK WASHER	BRASS	NICKEL	1
GASKET	RUBBER	RED	1
CONTACT PIN	PHOS. BRONZE	GOLD	1
INSULATOR	TEFLON	NATURAL	1
BODY/HOUSING	BRASS	NICKEL	1
DESCRIPTION	MATERIAL	FINISH	QTY

UNLESS OTHERWISE SPECIFIED DIMENSIONS ARE IN MILLIMETERS. DIMENSIONS IN [ ] ARE IN INCHES AND FOR CUSTOMER REFERENCE ONLY.	UNLESS OTHERWISE SPECIFIED TOLERANCES FOR MILLIMETERS ARE:	UNLESS OTHERWISE SPECIFIED TOLERANCES FOR INCHES ARE:
	0.5 - 8mm ± 0.20mm	.020 - .315 = ± 0.007"
	8 - 30mm ± 0.40mm	.315 - 1.180 = ± 0.015"
	30 - 120mm ± 0.50mm	1.180 - 4.724 = ± 0.020"

APPROVALS	DATE
DRAWN G.R.S.	02/21/03
CHECKED	
ISSUED	
SHEET 1 OF 1	

CAD FILE	DWG. NO.	REV.	NC	SIZE	SCALE
C:/122/122489.DWG	112714.DWG			A	NA

PART DESCRIPTION	PART NO.
BNC BULKHEAD DIRECT SOLDER JACK (FOR .250" SEMI-RIGID CABLE)	112714

# Amphenol Connex