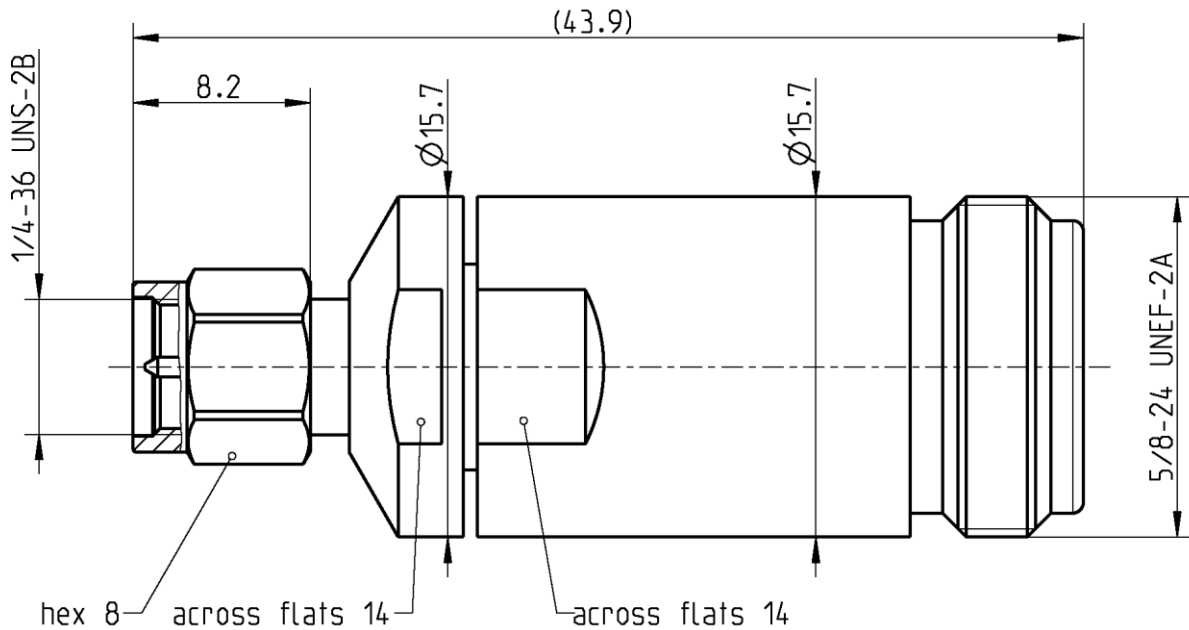
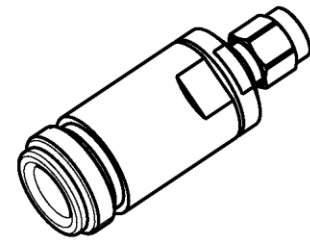


Adaptor
RPC-3.50 plug – RPC-N 50 Ω jack

03S105-K00S3



All dimensions are in mm; tolerances according to ISO 2768 m-H

Interface

RPC-3.50 according to
RPC-3.50 mechanically compatible with
RPC-N according to

IEC 60169-23
RPC-2.92 and SMA
IEC 61169-16; MIL-STD 348A/402

Documents

N/A

Material and plating

Connector parts

- Center contact
- Outer contact
- Coupling nut
- Dielectric
- Gasket

Material

- CuBe
- Stainless steel
- Stainless steel
- PPE
- Silicone

Plating

- Gold, min. 1.27 µm, over chemical nickel
- Passivated
- Passivated

Dieses Dokument ist urheberrechtlich geschützt • This document is protected by copyright • Rosenberger Hochfrequenztechnik GmbH & Co. KG

RF_35/09.14/6.2

Adaptor
RPC-3.50 plug – RPC-N 50 Ω jack

03S105-K00S3

Electrical data

Impedance	50 Ω
Frequency	DC to 18 GHz
Return loss	≥ 26 dB, DC to 18 GHz
Insertion loss	≤ 0.05 x √f(GHz) dB
Insulation resistance	≥ 5 GΩ
Test voltage (at sea level)	1000 V rms
Working voltage (at sea level)	335 V rms
RF-leakage	≥ 90 dB up to 1 GHz

Mechanical data

Mating cycles	≥ 500
Center contact captivation	≥ 28 N
Coupling test torque RPC-3.50	1.70 Nm
Recommended torque RPC-3.50	0.80 Nm to 1.10 Nm
Coupling test torque RPC-N	1.70 Nm
Recommended torque RPC-N	0.70 Nm to 1.10 Nm

Environmental data

Temperature range	-40°C to +85°C
Thermal shock	MIL-STD-202, Meth. 107, Cond. B
Corrosion	MIL-STD-202, Meth. 101, Cond. B
Vibration	MIL-STD-202, Meth. 204, Cond. D
Shock	MIL-STD-202, Meth. 213, Cond. I
Moisture resistance	MIL-STD-202, Meth. 106
RoHS	compliant

Tooling

N/A

Suitable cables

N/A

Weight

39.0 g/pce

While the information has been carefully compiled to the best of our knowledge, nothing is intended as representation or warranty on our part and no statement herein shall be construed as recommendation to infringe existing patents. In the effort to improve our products, we reserve the right to make changes judged to be necessary.

Draft	Date	Approved	Date	Rev.	Engineering change number	Name	Date
Herbert Babinger	17.05.04	F. Reiner	20.06.18	b01	18-1026	M.Ruf	20.06.18

Rosenberger Hochfrequenztechnik GmbH & Co. KG
P.O.Box 1260 D-84526 Tittmoning Germany
www.rosenberger.de

Tel. : +49 8684 18-0
Email : info@rosenberger.de

Page
2 / 2