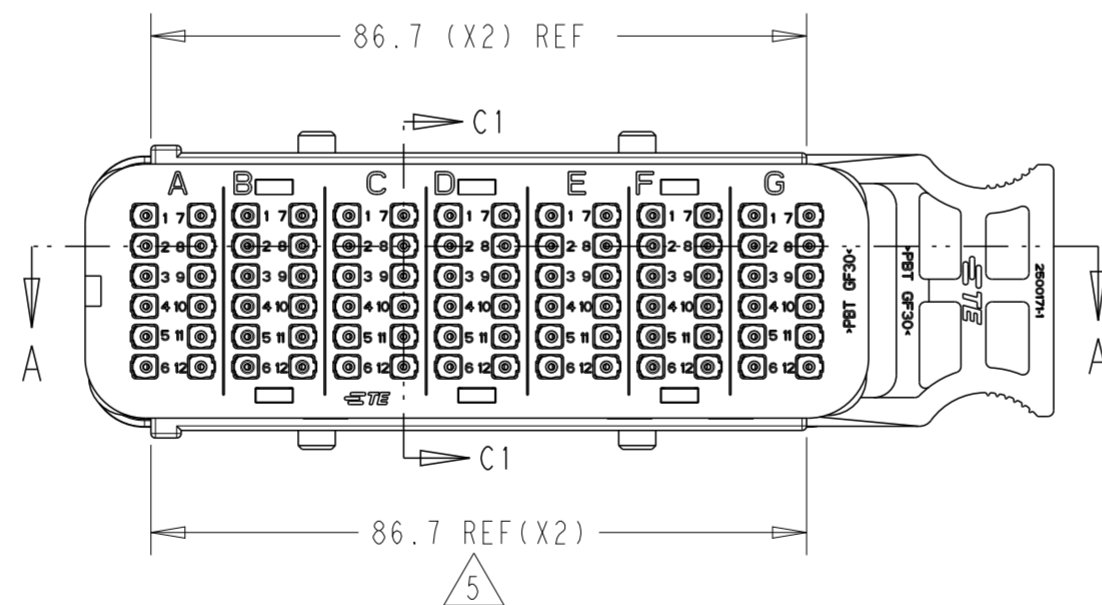
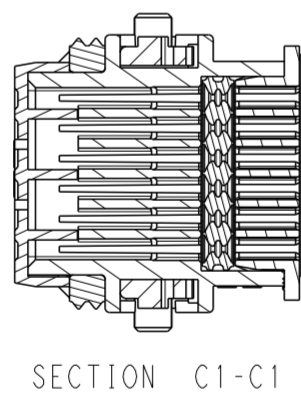
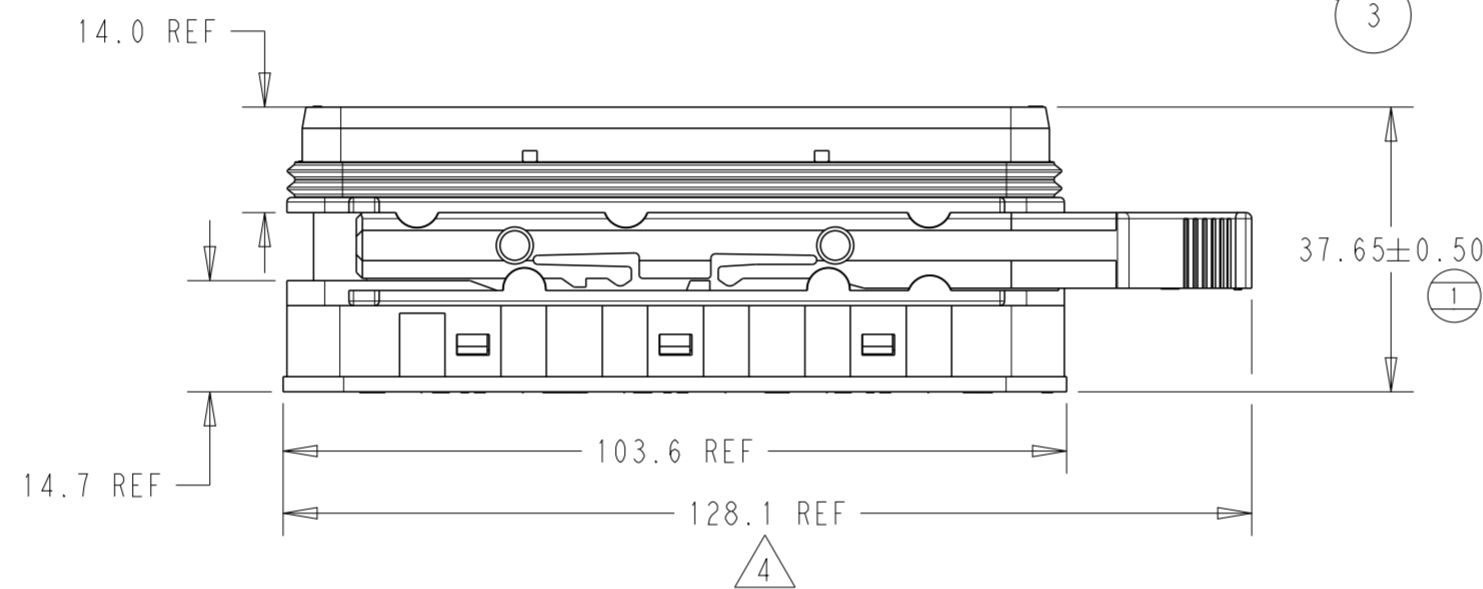
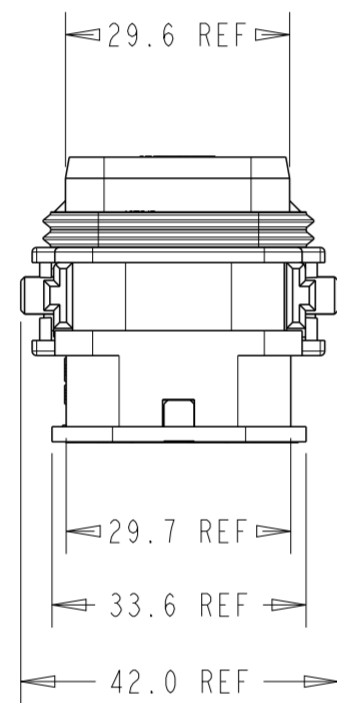
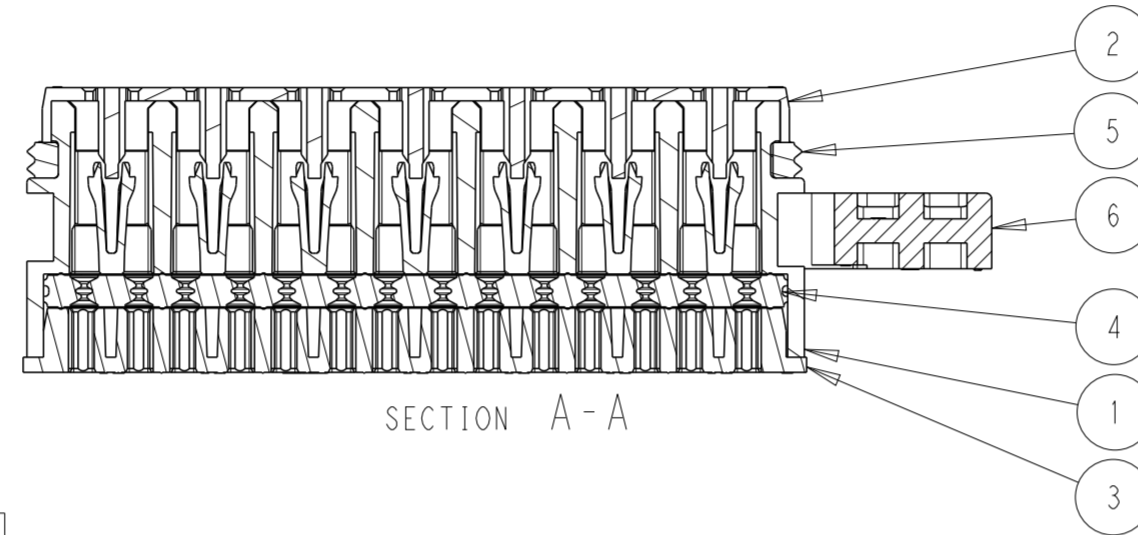
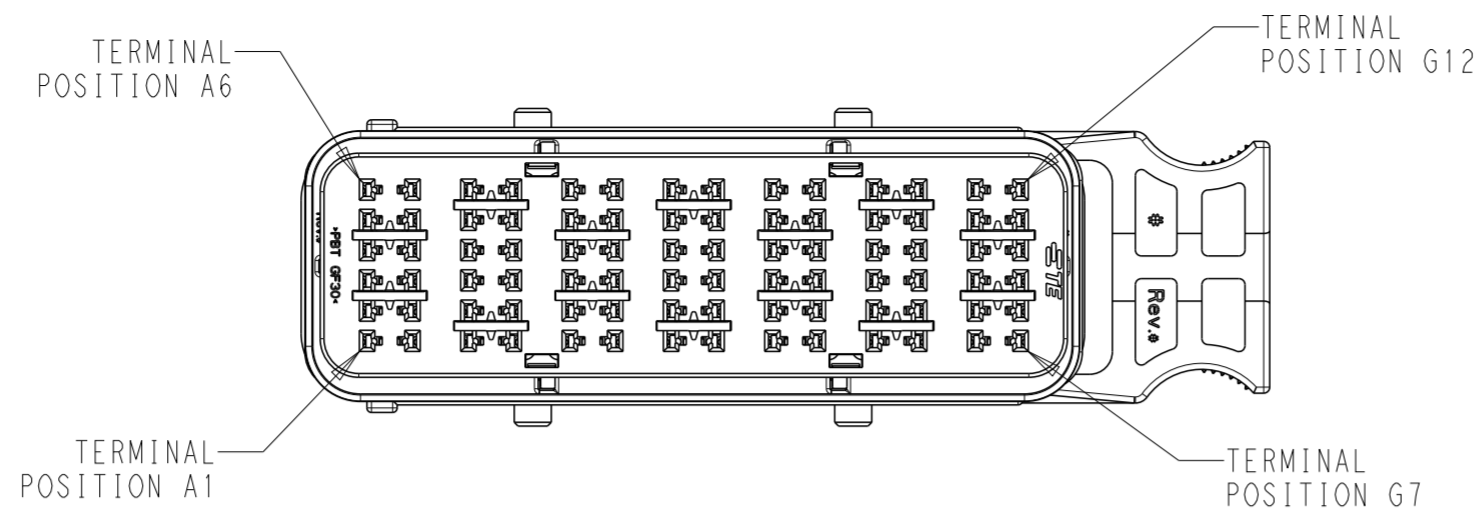


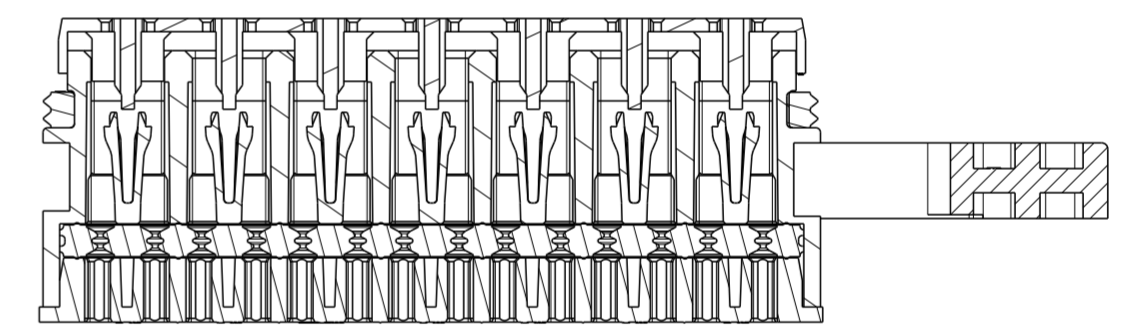
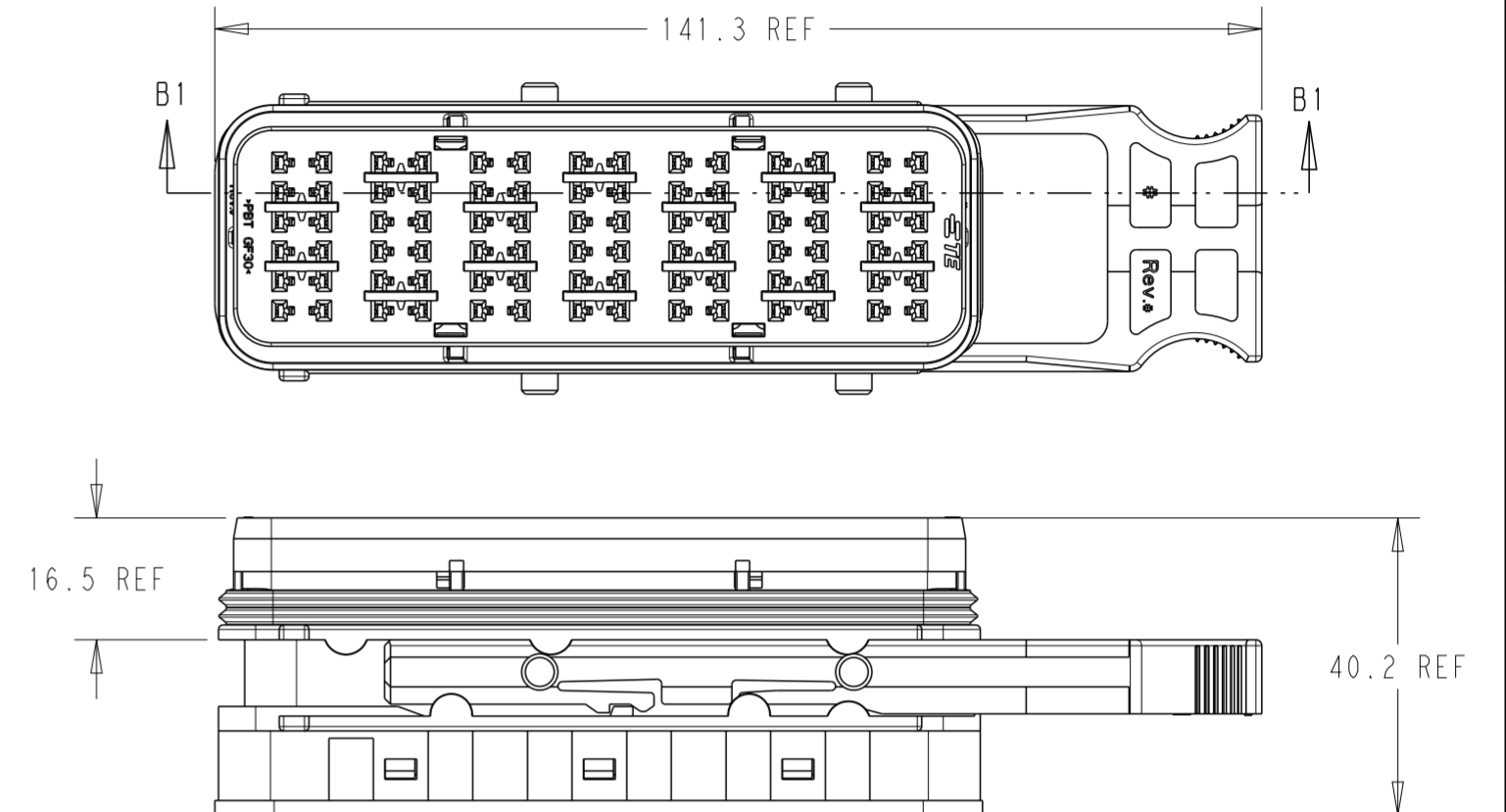
SRC2 84+0 MAIN HOUSING BLACK

TPA IN FULL-LOCK (AS SHIPPED) POSITION AND LATCH IN PARTIALLY OPEN POSITION



REVISIONS					
P	LTR	DESCRIPTION	DATE	DWN	APVD
A2		ECO-20-009048	15JUL2020	MHS	MT
B		PCN-21-123224	23DEC2021	DRK	AW

TPA IN PRE-LOAD POSITION AND LATCH IN OPEN POSITION



NOTES:

- MATERIALS:
HOUSINGS: POLYESTER (PBT), GLASS FILLED, UL 94 HB
SEAL: SILICONE RUBBER
- VARIATION OF SHADE WITHIN OR BETWEEN BATCHES, OR DISCOLORATION IS ACCEPTABLE
- MX150 RECEPTACLE TERMINALS TO BE USED WITH THESE ASSEMBLIES IN ALL CAVITIES, CRIMPED WITH CABLE INSULATION OUTER DIAMETER IN THE RANGE 1.5mm TO 2.7mm
- PACKAGING SPECIFICATION: TEC-107-160003-02, LATCH SHIPPED IN PARTIALLY OPEN POSITION
- MATES WITH SRC2 PIN BLADE HOUSING ASSEMBLY (BLACK) PN 2500024-1 (OLD PN 937928400)
- CONDUIT INTERFACE OPTIONS REFER TO 2500034
- PRESENCE OF TE CONNECTIVITY LOGO OPTIONAL ON FRONT COVER, REAR COVER, SLIDING LATCH AND HOUSING.

No.	DESCRIPTION	QTY.	COLOR
6	SLIDING LATCH	1	BLACK
5	FEMALE FRONT SEAL	1	RED
4	FEMALE BACK SEAL	1	LIGHT BLUE
3	FEMALE REAR COVER	1	BLACK
2	FEMALE FRONT COVER	1	GREEN
1	FEMALE HOUSING	1	BLACK
BILL OF MATERIAL			

ACCEPTABLE CABLE INSULATION Ø RANGES (mm) - NOTE 3						
CAVITY SET						
A	B	C	D	E	F	G
1.5 - 2.7	1.5 - 2.7	1.5 - 2.7	1.5 - 2.7	1.5 - 2.7	1.5 - 2.7	1.5 - 2.7

932870001	2500008-1
OLD P/N	PART NO

THIS DRAWING IS A CONTROLLED DOCUMENT.	
DIMENSIONS: mm	TOLERANCES UNLESS OTHERWISE SPECIFIED: 0 PLC ± 1 PLC ± 2 PLC ± 3 PLC ± 4 PLC ± ANGLES ± FINISH -
MATERIAL	-

DWN MANOHAR H S 15JUL2020	 TE Connectivity	NAME SRC2 FEMALE 84 PIN RECEPTACLE HOUSING ASSEMBLY	SIZE A2	CAGE CODE 00779	DRAWING NO C-2500008	RESTRICTED TO -
CHK M TRULL 15JUL2020						
APVD M TRULL 15JUL2020						
PRODUCT SPEC TEC-108-160018 APPLICATION SPEC TEC-114-160015						
CUSTOMER DRAWING		SCALE 5:1	SHEET 1 OF 1	REV B		