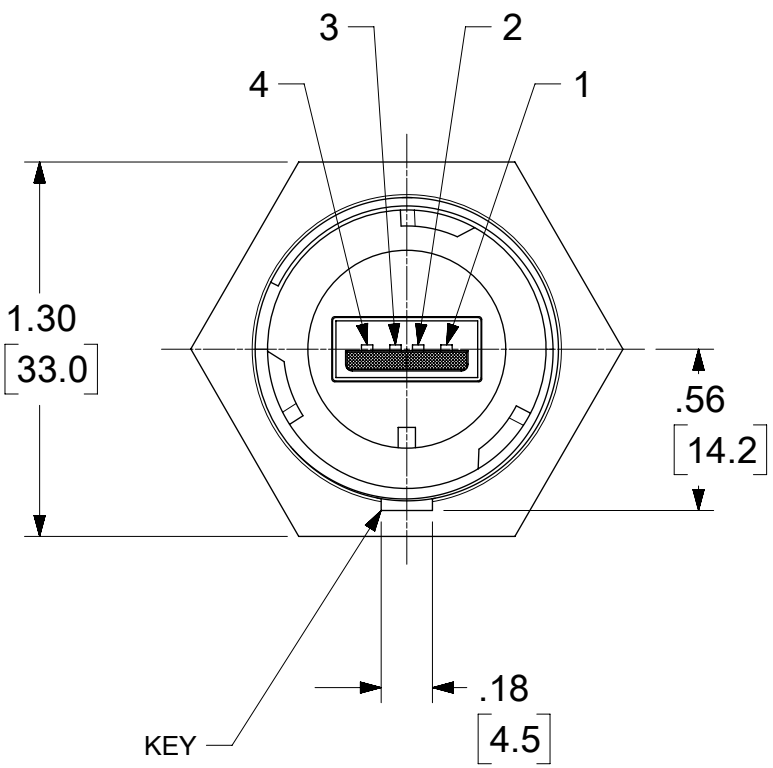
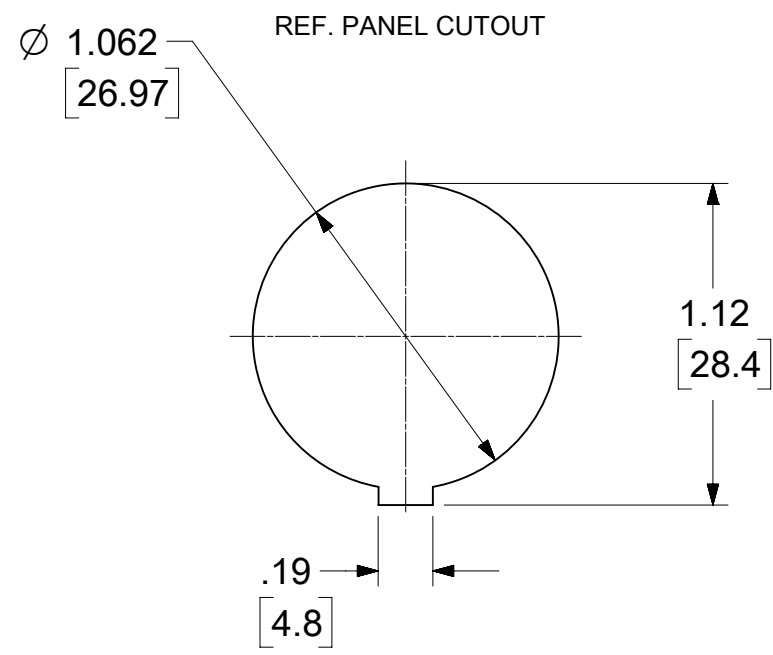
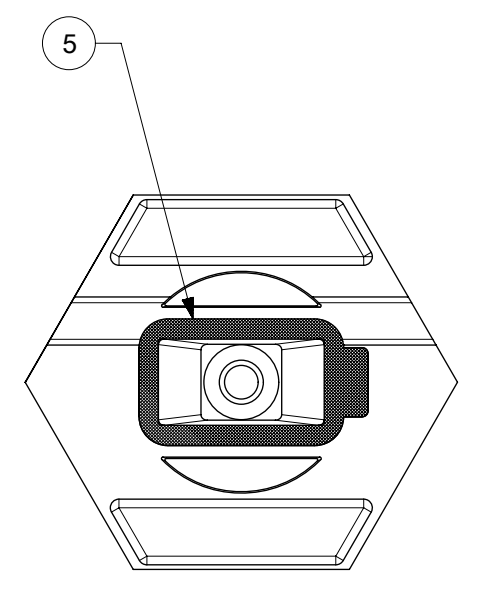
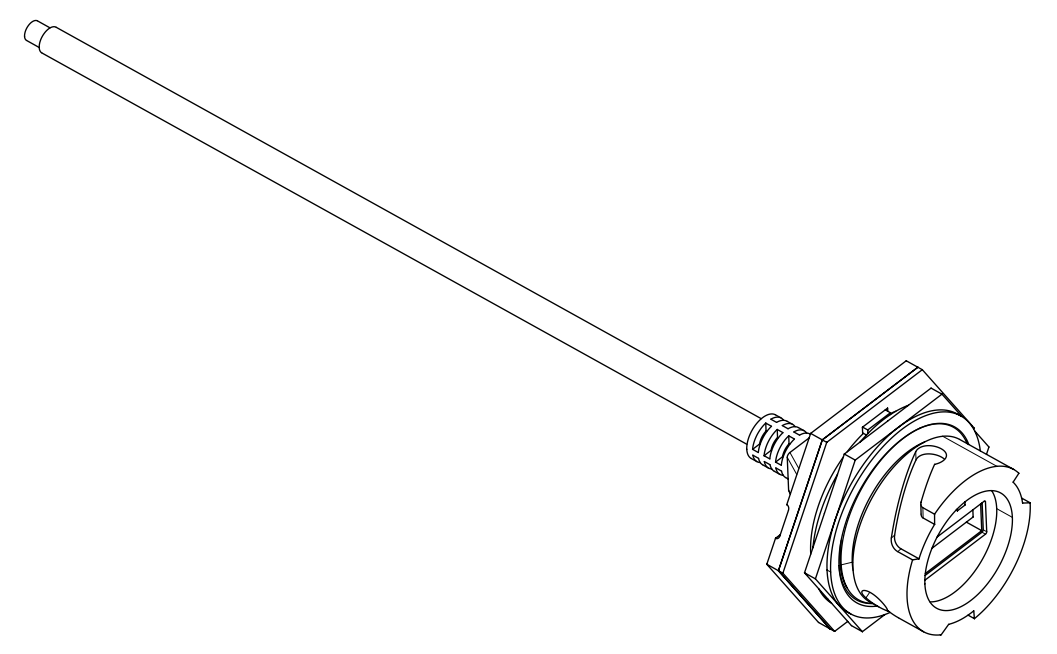
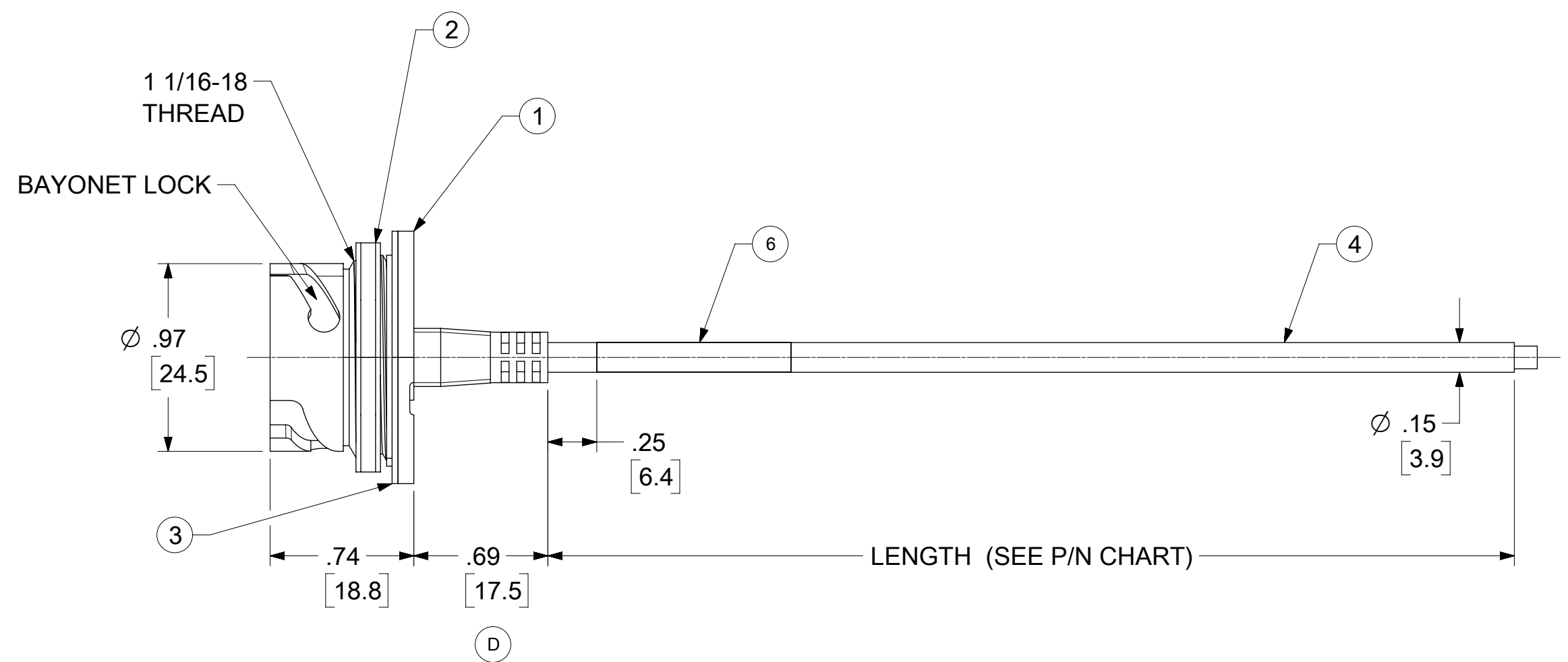


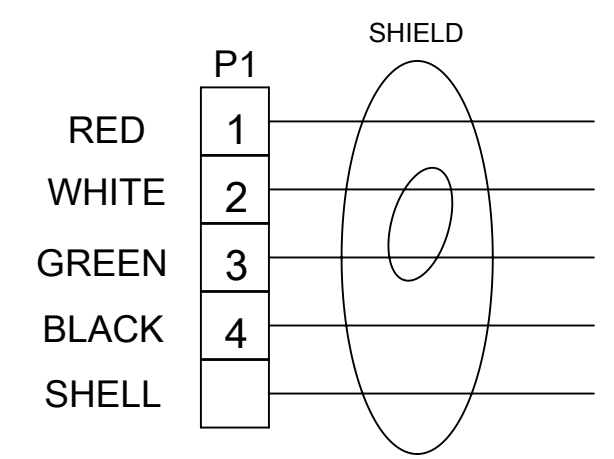
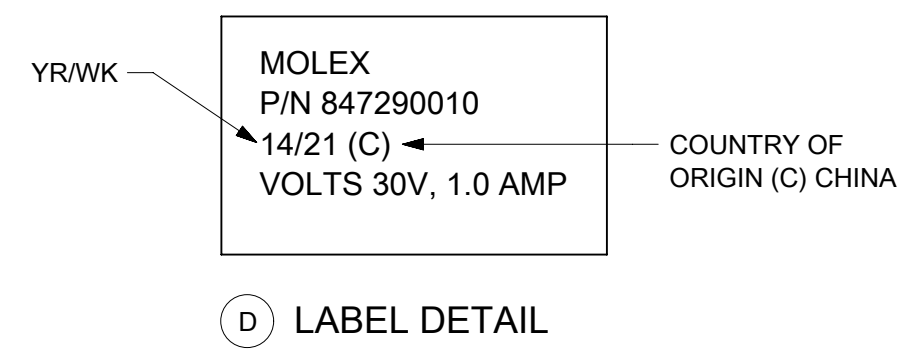
PART NO.	LENGTH
847290010	6.00 IN +.47/-0 (152.0mm +12/-0)



RECEPTACLE FACE VIEW
SHOWN WITHOUT PANEL NUT
AND GASKET



- NOTES:
1. MATERIAL: AS NOTED
 2. FINISHES: AS NOTED
 3. PRODUCT SPEC: PS-84727-002
 4. ELECTRICAL SPECS:
VOLTAGE RATING: 30 VAC
CURRENT RATING: 1.0V
 5. ENVIRONMENTAL: IP67 (RECEPTACLE END, WHEN MATED)
 6. OPERATING TEMP: -40°C TO +80°C
 7. PANEL NUT TORQUE: 24 IN LBS.
 8. PANEL THICKNESS: .10 MAX
 9. CABLE MATERIAL: PVC JACKET, BLACK
USB SHELL: PHOS-BRONZE, NICKEL PLATED
CONTACTS: PHOS-BRONZE, GOLD PLATED WIRE GAGE: 28
 10. DIMS SHOWN ARE FOR REFERENCE UNLESS NOTED OTHERWISE



ITEM	DESCRIPTION	MATERIAL	FINISH
6	WRAP LABEL	VINYL	WHITE
5	POTTING COMPOUND	EPOXY	BLACK
4	USB-A CABLE SUB-ASSY. 28AWG, SHIELDED	AS NOTED	AS NOTED
3	PANEL GASKET	NEOPRENE	BLACK
2	LOCKNUT	NYLON, PA66 UL 94 HB	BLACK
1	RECEPTACLE HOUSING	PBT, UL 94V-0	BLACK

SYMBOLS		THIS DRAWING CONTAINS INFORMATION THAT IS PROPRIETARY TO MOLEX ELECTRONIC TECHNOLOGIES, LLC AND SHOULD NOT BE USED WITHOUT WRITTEN PERMISSION	
▽ = 0	HYBRID	SCALE	CURRENT REV DESC: REV'D PER SUPPLIER
▽ = 0	GENERAL TOLERANCES (UNLESS SPECIFIED)	1.5:1	
▽ = 0		MM	INCH
▽ = 0	4 PLACES ±		
▽ = 0	3 PLACES ±		
▽ = 0	2 PLACES ±	± 0.01	
▽ = 0	1 PLACE ±	± 0.3	
▽ = 0	0 PLACES ±		
▽ = 0	ANGULAR TOL ± 0.5°		
▽ = 0	DRAFT WHERE APPLICABLE MUST REMAIN WITHIN DIMENSIONS	THIRD ANGLE PROJECTION	DRAWING SERIES
		C-SIZE	84729
		MATERIAL NUMBER	CUSTOMER
		SEE P/N CHART	GENERAL MARKET
		DOCUMENT NUMBER	DOC TYPE DOC PART REVISION
		SD-84729-010	PSD 001 D
		SHEET NUMBER	1 OF 1