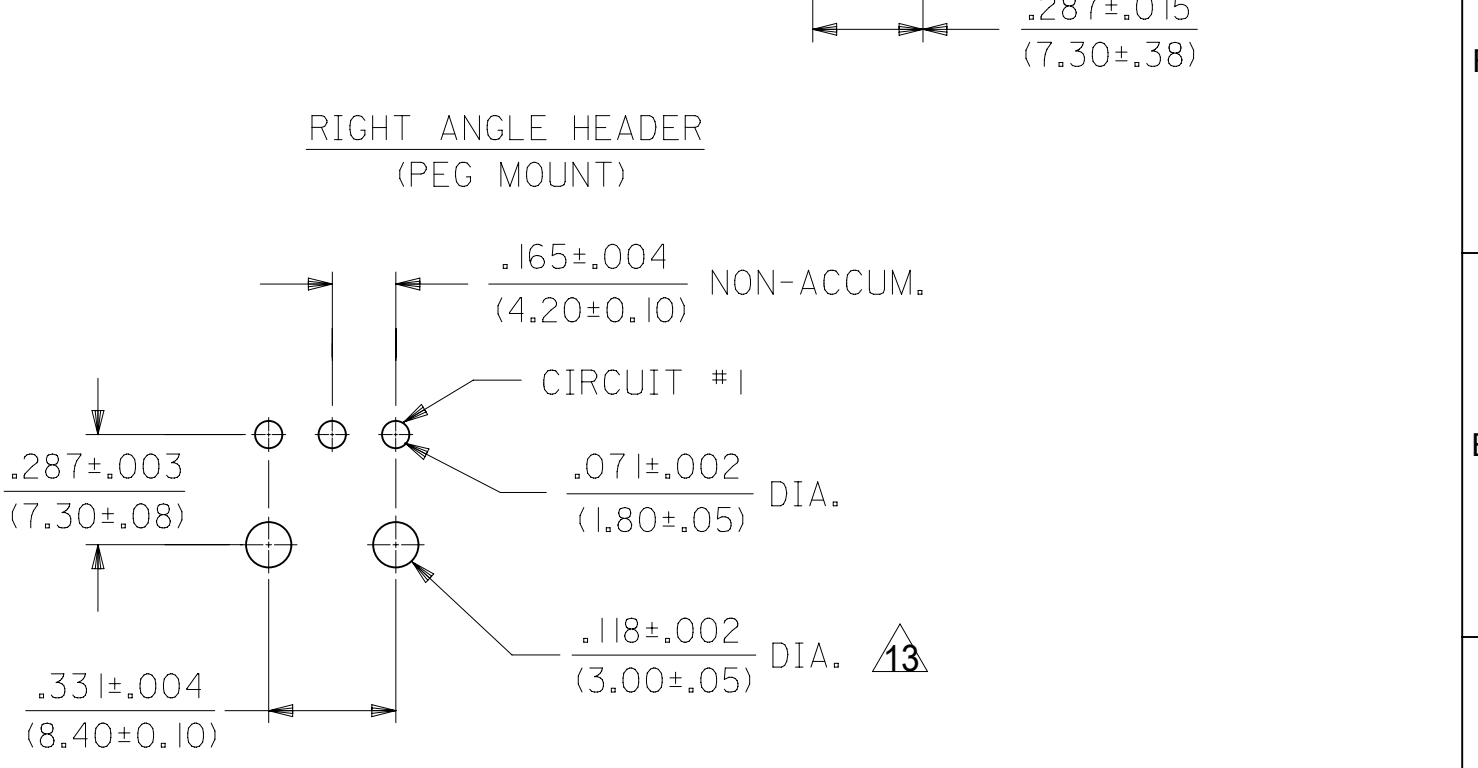
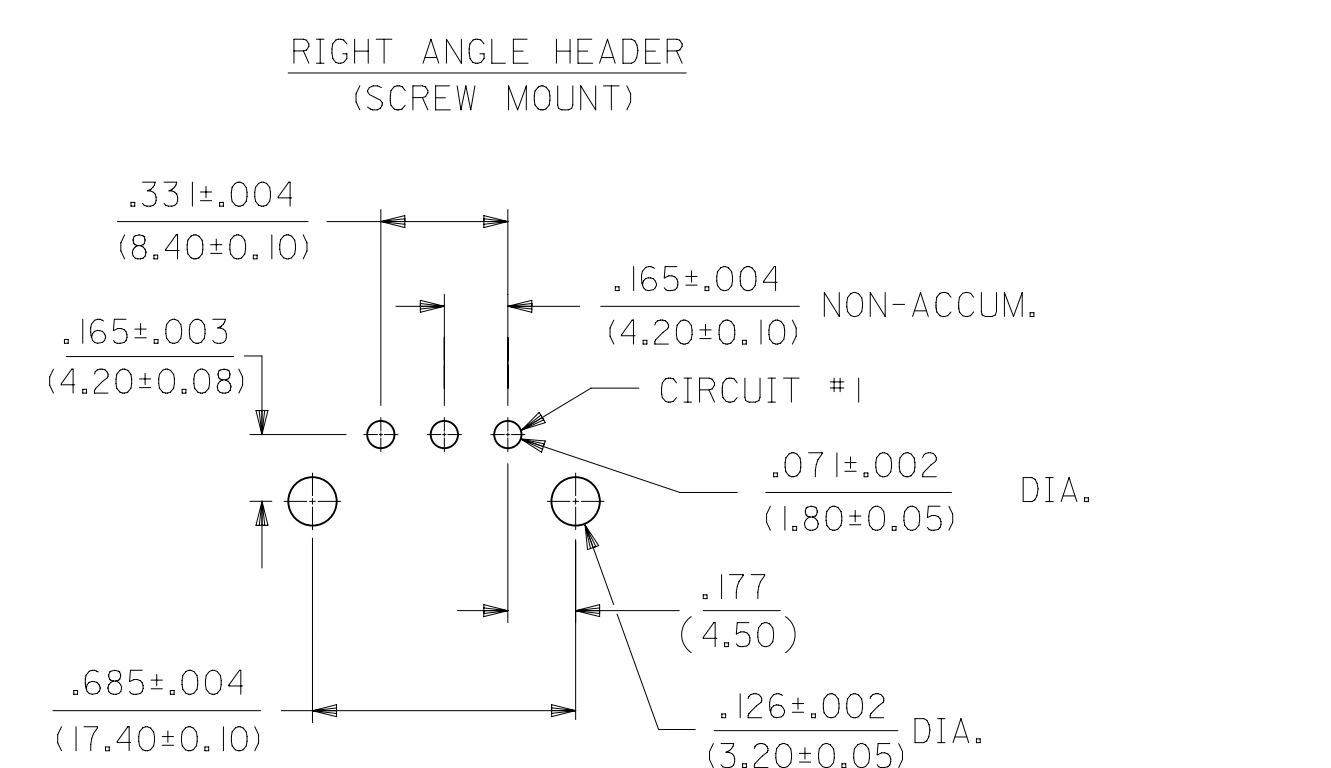
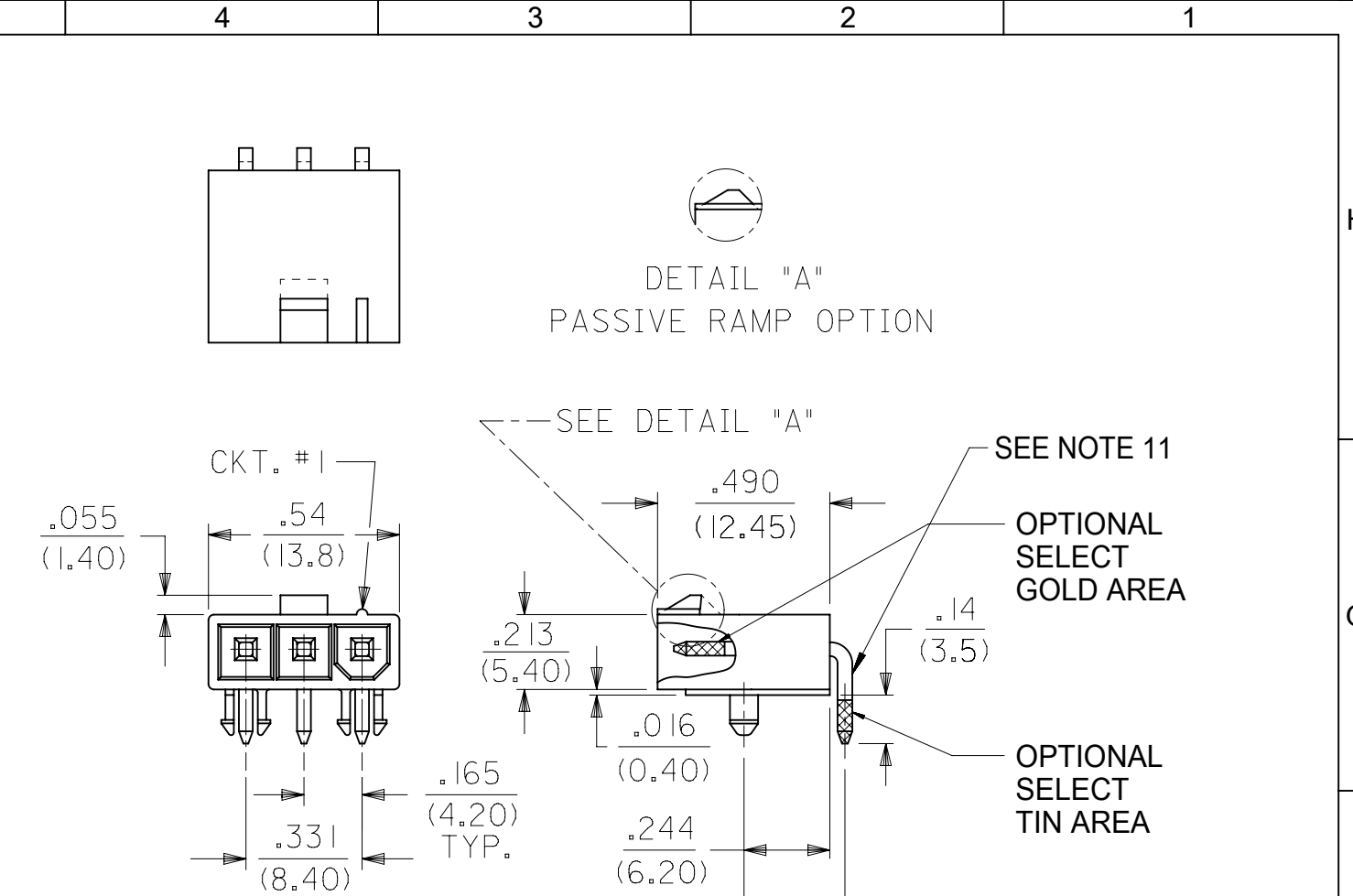
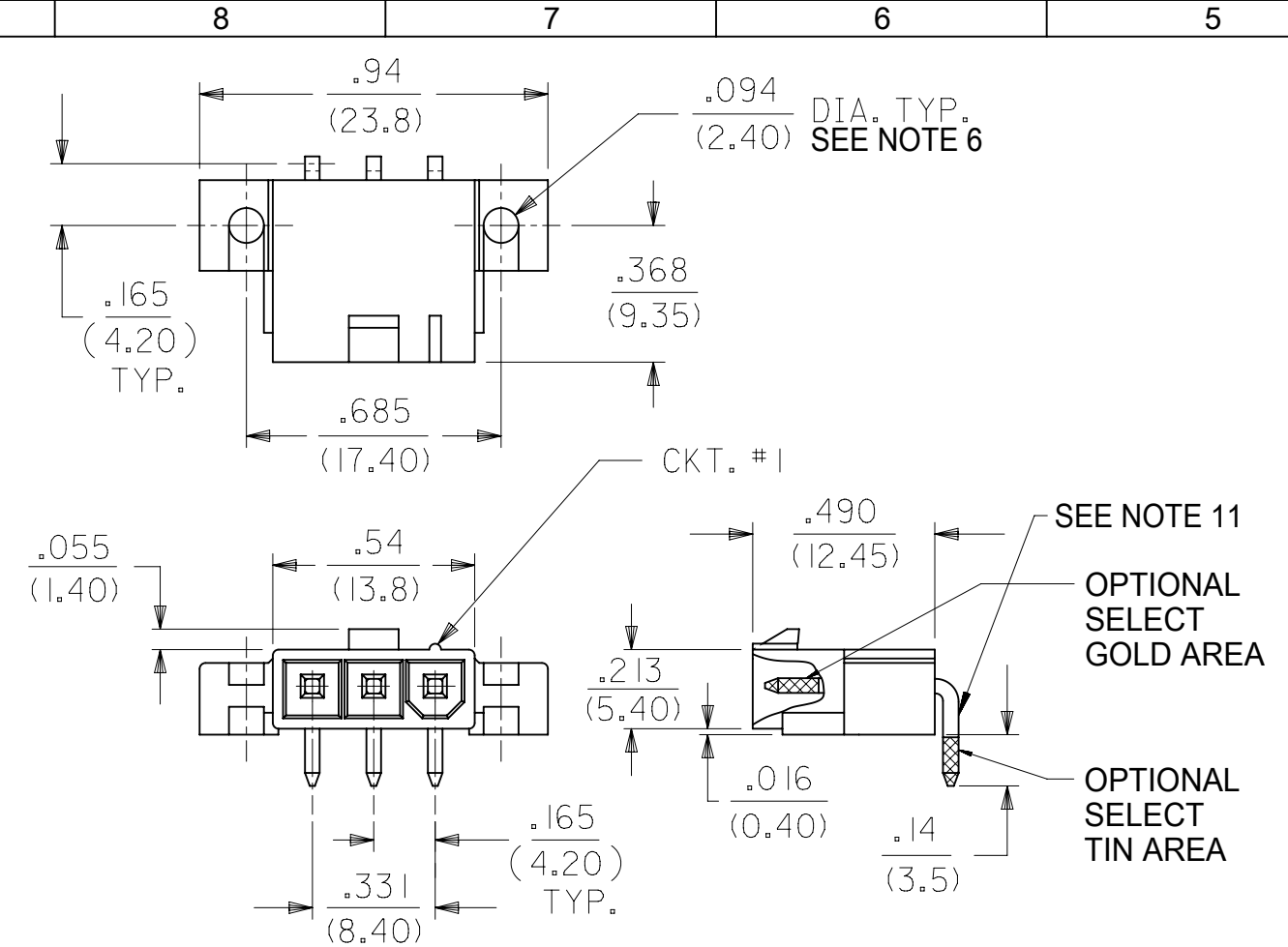


PART NUMBER	ENGINEERING NUMBER	MOUNT OPTION	PLATING	MAT'L.	PACKAGING
39-31-1032	5569-03A4-BL	4	BLANK	BL	BULK
39-30-3035	5569-03A4	4	BLANK	BLANK	
39-30-4033	5569-03A4GS2	4	15 GOLD	BLANK	
39-30-3037	5569-03A4G	4	30 GOLD	BLANK	
39-30-3032	5569-03A3-210	3	BLANK	210	TRAY
39-30-3034	5569-03A3G-210	3	30 GOLD		
39-30-3036	5569-03A4-210	4	BLANK		BULK
39-30-4030	5569-03A4G2-210	4	15 GOLD		
39-30-3038	5569-03A4G-210	4	30 GOLD	210	
NO E.D.P.	5569-03A5G	5	30 GOLD	BLANK	
NO E.D.P.	5569-03A5MS	5	TIN/NICKEL	BLANK	
NO E.D.P.	5569-03A5G-210	5	30 GOLD	210	
39-34-3037	5569-03A5MS-210	5	TIN/NICKEL	210	
46999-0700	5569-03A8MS-130	8	TIN/NICKEL	130	TRAY

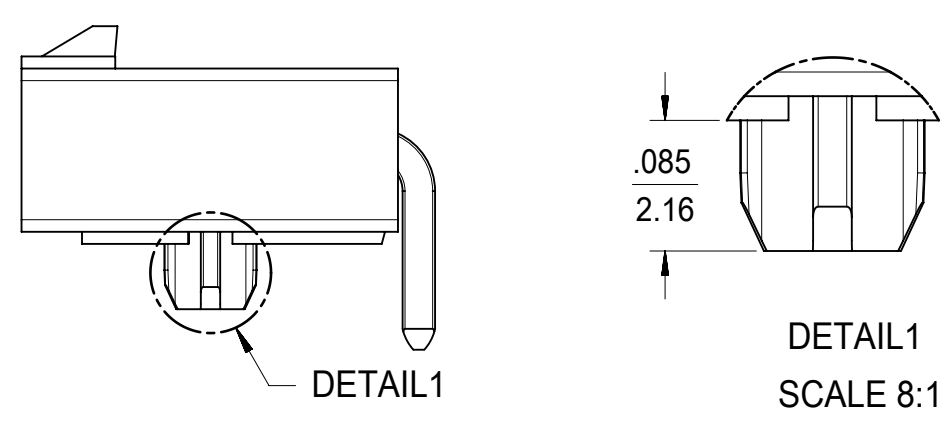
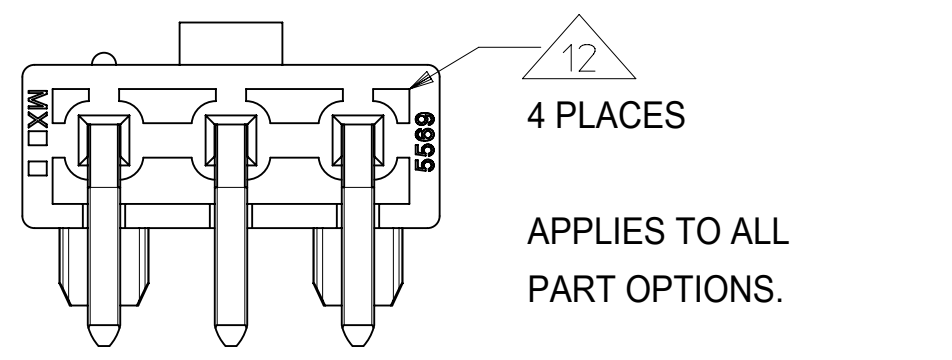


RIGHT ANGLE HEADER (SCREW MOUNT)

RECOMMENDED HOLE LAYOUT FOR .070/(1.78) MAX. THICK P.C. BOARD VIEWED FROM COMPONENT SIDE

RIGHT ANGLE HEADER (PEG MOUNT)

RECOMMENDED HOLE LAYOUT FOR .070/(1.78) MAX. THICK P.C. BOARD VIEWED FROM COMPONENT SIDE

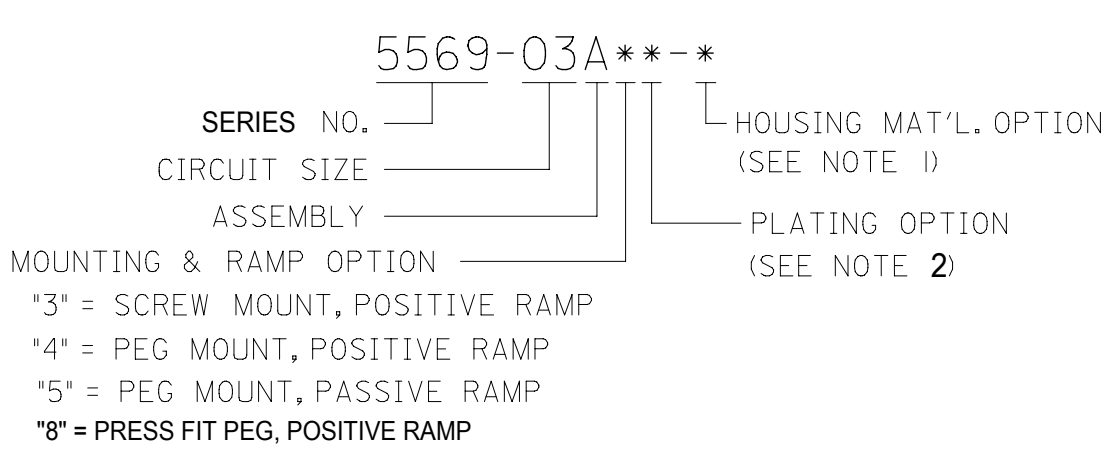


PRESS FIT OPTION

- NOTES:
- HOUSING MATERIAL:
 - "BLANK" = NYLON 6/6, U.L. 94V-2, COLOR: NATURAL.
 - 130 = LCP, U.L. 94V-0, COLOR: BLACK
 - IEC 60335-1, 5TH EDITION GLOW WIRE CAPABLE
 - 210 = NYLON 6/6, U.L. 94V-0, COLOR: NATURAL.
 - BL = NYLON 6/6, U.L. 94V-2, COLOR: BLACK.
 - TERMINAL MATERIAL: BRASS, ALLOY
 - TERMINAL PLATING:
 - "BLANK," MS - .000100/(0.00254) MIN. MATTE TIN OVER .000050/(0.00127) MIN. NICKEL
 - G - .000030/(.00076) MIN. SELECT GOLD, .000100/(.00254) MIN. SELECT MATTE TIN OVER .000050/(.00127) MIN. NICKEL OVERALL.
 - G2,GS2 - .000015/(.00038) MIN. SELECT GOLD, .000100/(.0254) MIN. SELECT MATTE TIN OVER .000050/(.00127) MIN. NICKEL OVERALL.
 - PRODUCT SPECIFICATION: PS-5556-001
 - PACKAGING SPECIFICATION: BULK PACK PER PK-5569-002 TRAY PACK PER PK-5569-005
 - PART MATES WITH MOLEX RECEPTACLE #5557.

- PART IS DESIGNED FOR USE WITH #4 OR M3 SELF TAPPING SCREWS.
- DISCOLORATION IN THE BANDOLIER CARRIER AREA OF THE PIN IS INHERENT TO THE PLATING PROCESS AND IS DUE TO THE MASKING EFFECT OF THE CARRIER. THIS DISCOLORATION IS IN A NON-FUNCTIONAL AREA OF THE PIN AND WILL NOT AFFECT THE PERFORMANCE OF THE HEADER ASSEMBLY.
- CONNECTORS ARE NOT BE BE MATED OR UNMATED WHILE CIRCUITS ARE LIVE.
- PARTS ARE NOT DESIGNED FOR CURRENT SHARING.
- PART CONFORMS TO CLASS "B" REQUIREMENTS OF "COSMETIC SPECIFICATION PS-45499-002."
- FORMING MARKS ON PINS ARE ACCEPTABLE
- CORNER CORE-OUTS ARE OPTIONAL AND MAY OR MAY NOT BE PRESENT
- HOLE TOLERANCE FOR PART NUMBER 46999-0700 IS ±.001 / ±0.03

LEGEND



THIS DRAWING CONTAINS INFORMATION THAT IS PROPRIETARY TO MOLEX ELECTRONIC TECHNOLOGIES, LLC AND SHOULD NOT BE USED WITHOUT WRITTEN PERMISSION									
SYMBOLS		DIMENSION UNITS		SCALE		CURRENT REV DESC: MIGRATE TO ECTR			
∇ = 0	∇ = 0	IN/MM	10:1			molex			
∇ = 0	∇ = 0	GENERAL TOLERANCES (UNLESS SPECIFIED)				RIGHT ANGLE HEADER ASSY, 3 CKT., SINGLE ROW, MINI-FIT JR. SERIES			
∇ = 0	∇ = 0			MM	INCH	PRODUCT CUSTOMER DRAWING			
∇ = 0	∇ = 0	4 PLACES	±	±		EC NO: 172489	2018/01/26	DOCUMENT NUMBER	
∇ = 0	∇ = 0	3 PLACES	±	±	0.01	DRWN: ANESSER	2018/02/20	DOC TYPE DOC PART REVISION	
∇ = 0	∇ = 0	2 PLACES	±	0.25	± 0.015	CHK'D: JBELL	2018/02/22	PSD 000 A	
∇ = 0	∇ = 0	1 PLACE	±	0.38	±	APPR: FSMITH		SHEET NUMBER	
∇ = 0	∇ = 0	0 PLACES	±	±		INITIAL REVISION:		1 OF 1	
∇ = 0	∇ = 0	ANGULAR TOL	±	3.0°		DRWN: GEP	1990/09/20	55690304-SD	
∇ = 0	∇ = 0	DRAFT WHERE APPLICABLE MUST REMAIN WITHIN DIMENSIONS		THIRD ANGLE PROJECTION		APPR: FSMITH	2014/05/16	MATERIAL NUMBER	
						DRAWING	SERIES	CUSTOMER	
						C-SIZE	5569	GENERAL MARKET	

THIS DRAWING REPLACES DRAWING SDA-5569-03A**