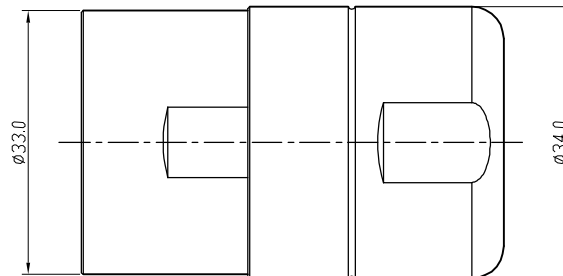
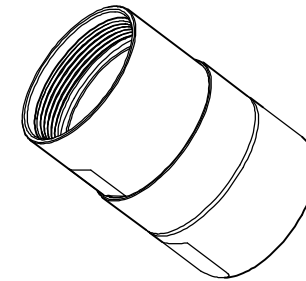
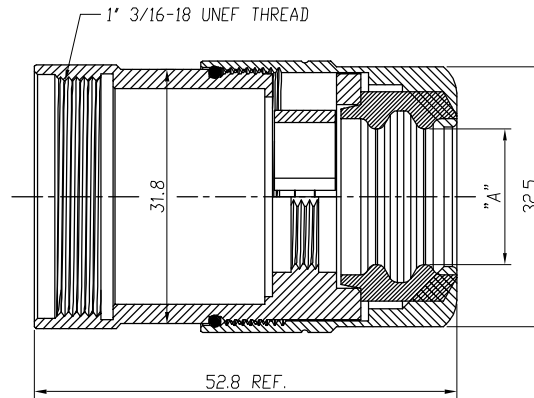
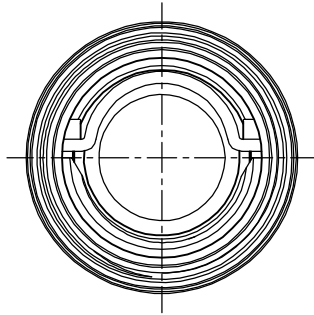


| REVISIONS | | | | | |
|-----------|-----|------------------------|-------------|-------|-------|
| REV | ECO | DESCRIPTION | DATE | BY | APPR |
| B1 | - | RELEASE NEW DWG FORMAT | 15-Dec-2014 | Drack | Tommy |
| B2 | - | Modify rubber material | 13-May-2016 | Ben | Tommy |



NOTES: UNLESS OTHERWISE SPECIFIED

- MATERIAL:**
NUT: ZINC DIE CAST OR AL ALLOY, NICKEL PLATED.
O-RING: NBR.
SEAL: EPDM.
HOUSING BODY: ZINC DIE CAST OR AL ALLOY, NICKEL PLATED
- SPECIFICATIONS:**
2.1 DEGREE OF PROTECTION: IP67 (MATED CONDITION)
2.2 RoHS COMPLIANT
- ALL DIMENSIONS ARE FOR REFERENCE USE ONLY.**

| | Dimension "A " | Cable OD Range |
|---|----------------|-----------------------|
| 1 | RTOL-20CPG-S1 | Ø15.8mm 16.0~17.0 mm |
| 2 | RTOL-20CPG-S2 | Ø20.0 mm 20.5~22.5 mm |
| 3 | RTOL-20CPG-S3 | Ø13.0mm 13.5~15.0 mm |
| 4 | RTOL-20CPG-S5 | Ø13.0 mm 13.5~14.0 mm |
| 5 | RTOL-20CPG-S6 | Ø15.8 mm 16.0~21.0 mm |
| 6 | RTOL-20CPG-S8 | Ø13.0 mm 11.0~15.0 mm |

| SEE PART NUMBER CHART | | | | | |
|--|-------------|--|---------------------------------------|---|----------------------------|
| QUANTITY | PART NUMBER | DESCRIPTION | | | ITEM |
| MATERIALS LIST | | | | | |
| UNLESS OTHERWISE SPECIFIED 1) All dimensions are in metric(mm). 2) Tolerances are as follows: 1 PL DEC ±0.30 Fractions ±1/64 2 PL DEC ±0.15 Angles ±1° 3 PL DEC ±0.08 3) Note reference = | | SIGNATURES DRAWN: Drack CHECKED: ENGINEER: APPROVAL: | | DATE 15 DEC 2014 | |
| MATERIAL SPECIFICATIONS: | | CUSTOMER: | | Amphenol Sine Systems - www.amphenol-sine.com 44724 Morley Drive Clinton Township, MI 48036 | |
| PROCESS SPECIFICATIONS: | | THIS DRAWING IS SUPPLIED FOR INFORMATION ONLY. DESIGN FEATURES, SPECIFICATIONS AND PERFORMANCE DATA SHOWN HEREON ARE THE PROPERTY OF THE AMPHENOL CORPORATION. NO RIGHTS OF REPRODUCTION ARE IMPLIED. ALL DIMENSIONS ARE SUBJECT TO NORMAL MANUFACTURING VARIATIONS. | | | |
| NEXT ASSY: | | SIZE: B TYPE: C- SCALE: NONE | DWG NO: RTOL-20CPG-Sx REVISION: B2 | | ECO-MATE,CORD GRIP,SIZE 20 |
| | | | | SHEET 1 OF 1 | |

TITLE: ECO-MATE,CORD GRIP,SIZE 20
 DWG NO: RTOL-20CPG-Sx
 REV: B2
 SHEET 1 OF 1