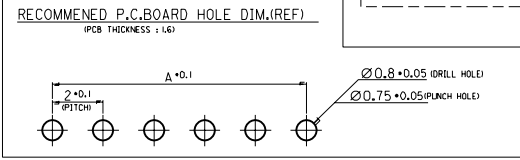
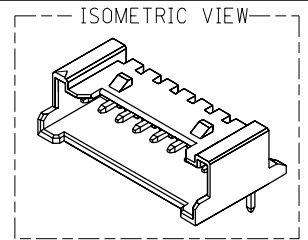
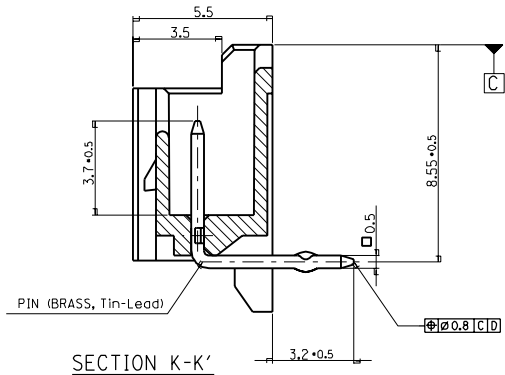
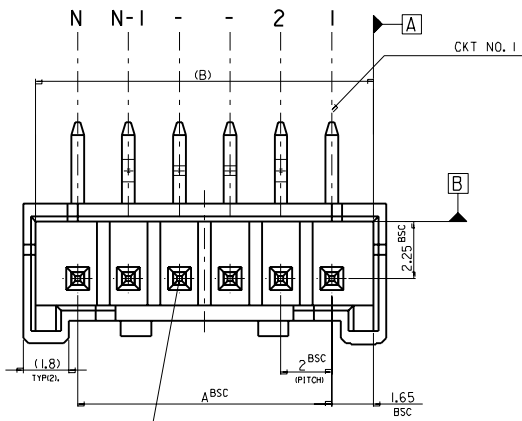


ENG. NO
SD 35363-001

EDP NO.

SIMILAR ITEM

PROJECT NO.



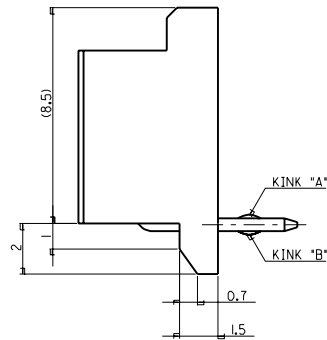
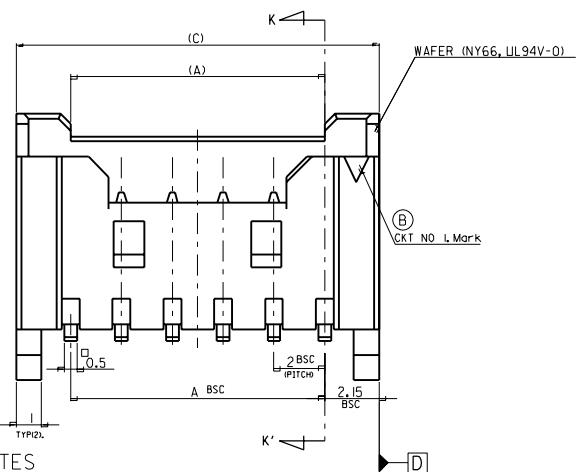
LEGEND

SD-35363-***I

CKT NO. _____ COLOR _____

- 0 : NATURAL
- 1 : BLACK
- 2 : RED
- 3 : YELLOW
- 4 : BLUE
- 5 : GREEN

| | | | | |
|------|------|----|------------|-----|
| 32.3 | 31.3 | 28 | -15I* | 15 |
| 30.3 | 29.3 | 26 | -14I* | 14 |
| 28.3 | 27.3 | 24 | -13I* | 13 |
| 26.3 | 25.3 | 22 | -12I* | 12 |
| 24.3 | 23.3 | 20 | -11I* | 11 |
| 22.3 | 21.3 | 18 | -10I* | 10 |
| 20.3 | 19.3 | 16 | -09I* | 9 |
| 18.3 | 17.3 | 14 | -08I* | 8 |
| 16.3 | 15.3 | 12 | -07I* | 7 |
| 14.3 | 13.3 | 10 | -06I* | 6 |
| 12.3 | 12.3 | 8 | -05I* | 5 |
| 10.3 | 9.3 | 6 | 35363-04I* | 4 |
| (C) | (B) | A | ENG. NO. | CKT |



- NOTES
- MATING HOUSING : 35507-**0*
 - MATING TERMINAL : 50212-8000
 - KINK

| CKT NO | 1 | 2 | 3 | 4 | 5 | N-2 | N-1 | N |
|------------|---|---|---|---|---|-----|-----|---|
| 6 CKT OVER | - | A | B | - | - | B | A | - |
| 5 CKT | A | B | - | B | A | | | |
| 4 CKT | A | B | B | A | | | | |

3. PRODUCT SPECIFICATION NO : PS-35507-001

| | |
|-------------------|-------|
| 30 over | +0.3 |
| 10 over 30 under | ±0.25 |
| 10 under | ±0.2 |
| ANGLE | ±3° |
| GENERAL TOLERANCE | |

| | | |
|---------------------------|---------------|--------|
| Revised | KOR 1998-0126 | 981007 |
| Revised | KOR 1998-0062 | 980423 |
| Revised | KOR7-0113 | 970901 |
| NEW RELEASE | KOR7-0034 | 970404 |
| LTR REVISION RECORD | ECN | DATE |
| REVISE ONLY ON CAD SYSTEM | | |

MATERIAL

moLEX MOLEX-KOREA CO.,LTD.

GENERAL TOLERANCE DIMENSION :
ANGLE :

DIMENSION CLASSIFICATION
▽ : CRITICAL ▼ : MAJOR
() : REFERENCE

ASS'Y PART DESCRIPTION ENG. NO.

DRAWN BY Y.S.Kim 96.09.11
CHK'D BY J.K.Ohn

APP'D BY C.W.Lee
SCALE 1 : 1

TITLE : NEW 2.0 W/B CONN WAFER ASSY (RA)

ENG. NO. SD35363-001

SHEET 1/3
REV D

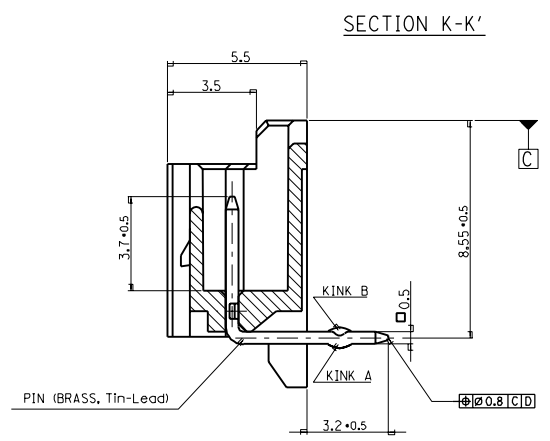
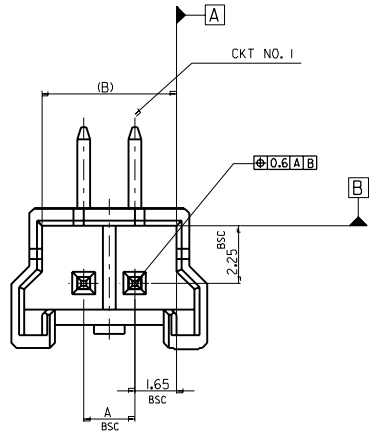
ENG. NO
SD 35363-002

EDP NO.

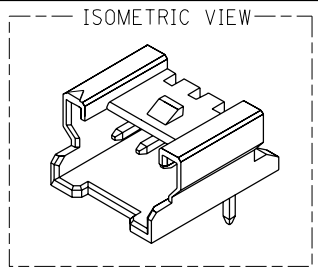
SIMILAR ITEM

PROJECT NO.

8 7 6 5 4 3 2 1



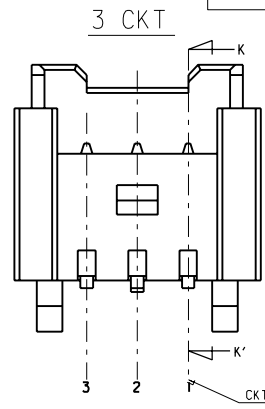
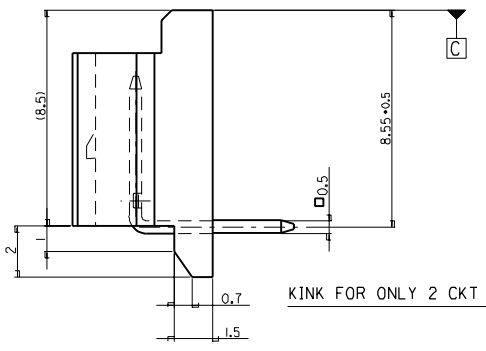
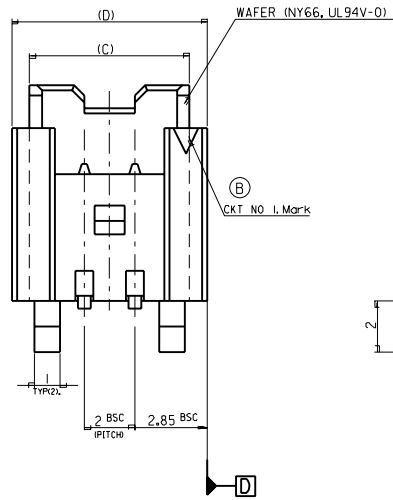
FOR 2 & 3 CKTS.



LEGEND

SD-35363-**| * COLOR

| | |
|---|---------|
| 0 | NATURAL |
| 1 | BLACK |
| 2 | RED |
| 3 | YELLOW |
| 4 | BLUE |
| 5 | GREEN |



NOTES

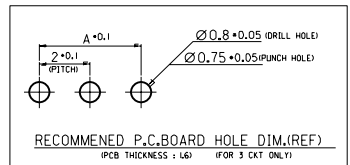
1. MATING HOUSING : 35507-**0
MATING TERMINAL : 50212-8000

2. KINK

| CKT NO | 1 | 2 | 3 |
|--------|------|------|---|
| 2 CKT | NONE | KINK | |
| 3 CKT | A | B | A |

3. PRODUCT SPECIFICATION NO : PS-35507-001

| | | | | | |
|-----|-----|-----|---|------------|-----|
| 9.7 | 8.3 | 7.3 | 4 | -03 * | 3 |
| 7.7 | 6.3 | 5.3 | 2 | 35363-02 * | 2 |
| (D) | (C) | (B) | A | ENG. NO. | CKT |



| | |
|------------------|-------|
| 30 over | +0.3 |
| 10 over 30 under | ±0.25 |
| 10 under | ±0.2 |
| ANGLE | ±3° |

GENERAL TOLERANCE

| | | | |
|-----|-------------------------|---------------|--------|
| D | Revised | KOR 1998-0126 | 981007 |
| C | Revised | KOR 1998-0062 | 980423 |
| B | Revised | KOR7-0113 | 970901 |
| A | Release to manufacturer | KOR7-0034 | 970404 |
| LTR | REVISION RECORD | ECN | DATE |

REVISE ONLY ON CAD SYSTEM

| | |
|---|--|
| MATERIAL | |
| GENERAL TOLERANCE DIMENSION : ANGLE : | |
| DIMENSION CLASSIFICATION : CRITICAL : MAJOR : REFERENCE | |
| ASS'Y PART DESCRIPTION ENG. NO. | |

| | |
|---|-----------------|
| molex MOLEX-KOREA CO.,LTD. | |
| DRAWN BY Y.S.Kim 96.09.11 | CHK'D BY J.K.Oh |
| APP'D BY C.W.Lee | SCALE 1:1 |
| TITLE: NEW 2.0 W/B CONN WAFER ASSY (RA) | SHEET 2/3 |
| ENG. NO. SD 35363-002 | REV D |

THIS DRAWING CONTAINS INFORMATION THAT IS PROPRIETARY TO MOLEX(KOREA) AND SHOULD NOT BE USED WITHOUT WRITTEN PERMISSION MX-A3(ANSI:290,420)

SD35363.S02

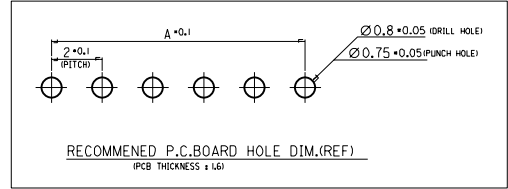
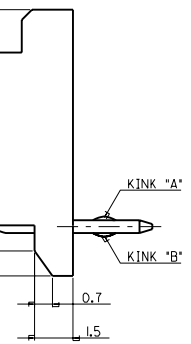
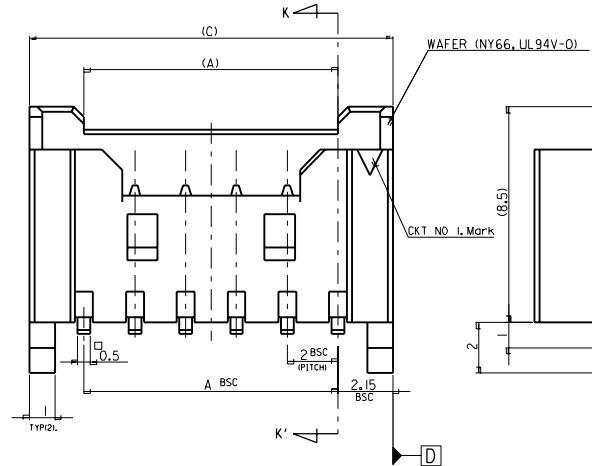
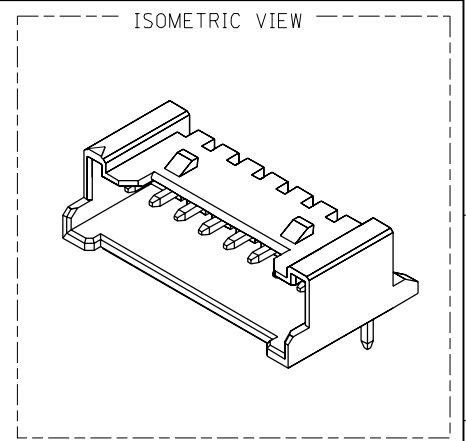
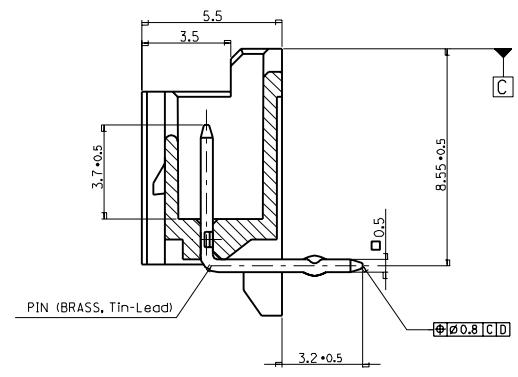
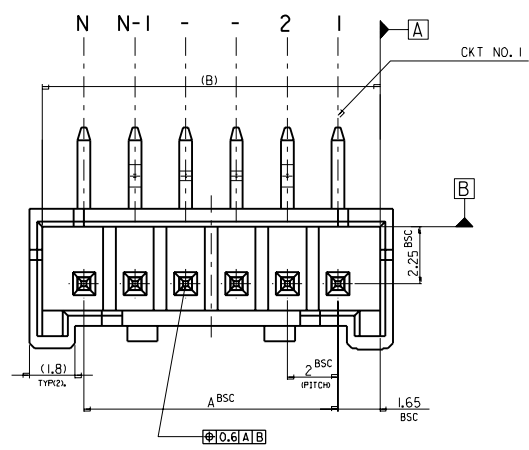
ENG. NO
SD 35363-003

EDP NO.

SIMILAR ITEM

PROJECT NO.

8 7 6 5 4 3 2 1



LEGEND

SD-35363-***I * COLOR

- 0 : NATURAL
- 1 : BLACK
- 2 : RED
- 3 : YELLOW
- 4 : BLUE
- 5 : GREEN

NOTES

- MATING HOUSING : 35507-**0*
MATING TERMINAL : 50212-8000
- KINK

| | | | | | | | | |
|--------|---|---|---|---|-----|-----|-----|---|
| CKT NO | 1 | 2 | 3 | 4 | N-3 | N-2 | N-1 | N |
| CKT | - | A | B | - | - | B | A | - |

3. PRODUCT SPECIFICATION NO : PS-35507-001

| | |
|-------------------|-------|
| 30 over | +0.3 |
| 10 over 30 under | ±0.25 |
| 10 under | ±0.2 |
| ANGLE | ±3° |
| GENERAL TOLERANCE | |

| | | | | |
|---------------------------|------|----|--|-----|
| 42.3 | 41.3 | 38 | 35363-201* | 20 |
| (C) | (B) | A | ENG. NO. | CKT |
| MATERIAL | | | MOLEX MOLEX-KOREA CO.,LTD. | |
| GENERAL TOLERANCE | | | DRAWN BY 980423 Y.S.Kim | |
| DIMENSION CLASSIFICATION | | | CHK'D BY J.K.Oh | |
| ASS'Y PART | | | SCALE 1:1 | |
| DESCRIPTION | | | TITLE: NEW 2.0 W/B CONN WAFFER ASSY (RA)-20P | |
| REVISION RECORD | | | SHEET 3/3 | |
| REVISE ONLY ON CAD SYSTEM | | | ENG. NO. SD 35363-003 | |
| | | | REV B | |

THIS DRAWING CONTAINS INFORMATION THAT IS PROPRIETARY TO MOLEX(KOREA) AND SHOULD NOT BE USED WITHOUT WRITTEN PERMISSION
MX-A3(ANSI:290,420)

SD35363.S03