

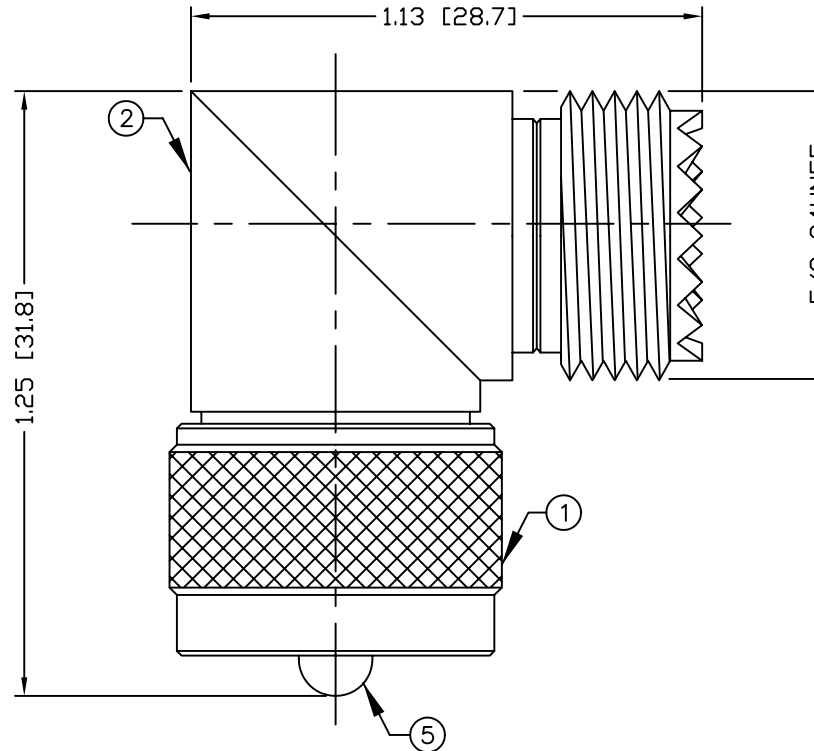
THIS DRAWING CONTAINS INFORMATION PROPRIETARY TO RF INDUSTRIES,  
 ANY UNAUTHORIZED USE OF THIS DRAWING IS EXPRESSLY PROHIBITED  
 WITHOUT WRITTEN PERMISSION FROM RF INDUSTRIES.  
 ANY VIOLATION IS PUNISHABLE UNDER U.S. COPYRIGHT LAWS.

ALL DIMENSIONS ARE REFERENCE ONLY

PART NO.

**RFU-532**

REV	DESCRIPTION	DWN	DATE	APPROVED
A	ENGINEERING RELEASE	KMM	10/7/97	R. RICE
B	CHANGE BODY TO BRASS / ADD INTERNAL BODY STOPS	JDMc	5/15/98	JDMc
C	DESIGN CHANGED	JDMc	10/14/99	JDMc
D	UPDATED DWG FORMAT	CZS	4/17/06	JDMc



**SPECIFICATIONS:**

IMPEDANCE: NON CONSTANT  
 FREQUENCY RANGE: 0-300 MHz  
 WORKING VOLTAGE: 500 V rms max. @ sea level

1	SHELL	1	BRASS	NICKEL, 100μ <sup>2</sup>	000000
2	BODY	1	BRASS	NICKEL, 100μ <sup>2</sup>	
3	INSULATOR	1	DELTRIN	----	
4	INSULATOR	1	DELTRIN	----	
5	PIN	1	BRASS	SILVER 80μ <sup>2</sup>	
6	CONTACT	1	BRASS	SILVER 80μ <sup>2</sup>	
7	WASHER	1	BRASS	----	
8					
9					
10					
11					
12					
13					
14					
#	DESCRIPTION	QTY	MATERIAL	FINISH	APPROVALS

UNLESS OTHERWISE SPECIFIED:

DIMENSIONS ARE IN INCHES AND [MILLIMETERS]  
 UNLESS OTHERWISE NOTED TOLERANCES ARE:

DECIMALS	DIAMETER
----------	----------

DRAWN C. ZUNIGA	4/17/06
CHECKED	
ORJ DRAWN K. MAXWELL	10/7/97

7610 MIRAMAR RD  
 SAN DIEGO, CA 92126  
 (858) 549-6340  
 (858) 549-6345 FAX

**RF connectors**  
 DIVISION OF RF INDUSTRIES, LTD.

## UHF PLUG TO JACK

RIGHT ANGLE ADAPTER

SIZE A	CABLE GROUP N/A	DWG NO. RFU-532	REV D
-----------	--------------------	--------------------	----------

SCALE: NTS      CAD FILE OUTLINE      SHEET 1 OF 1