

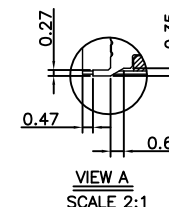
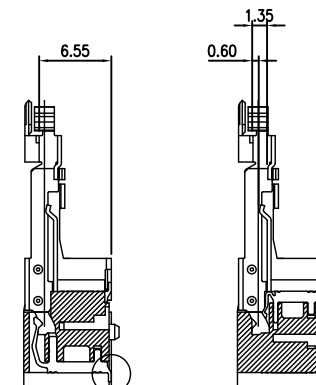
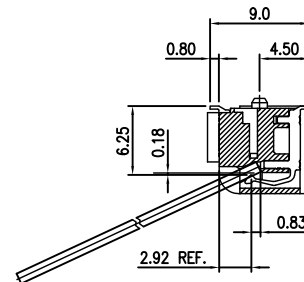
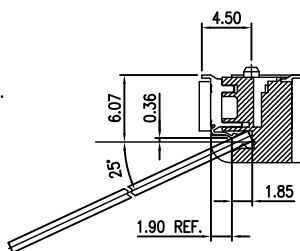
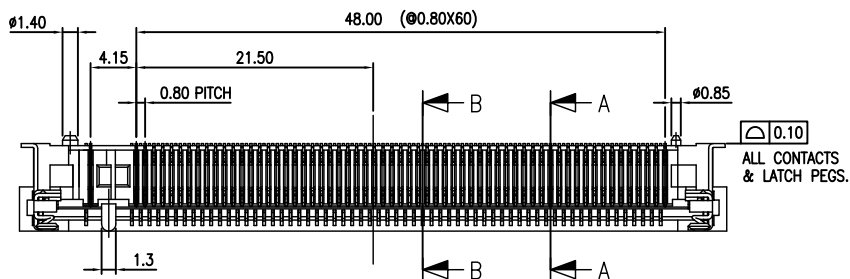
THIS DRAWING IS UNPUBLISHED. RELEASED FOR PUBLICATION

© COPYRIGHT 2011 TYCO ELECTRONICS CORPORATION

ALL RIGHTS RESERVED.

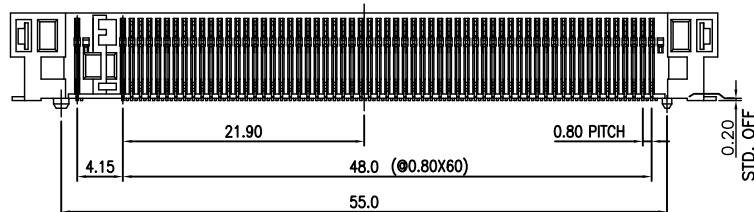
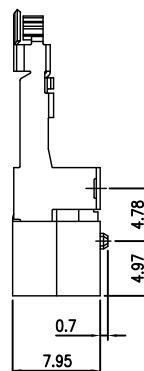
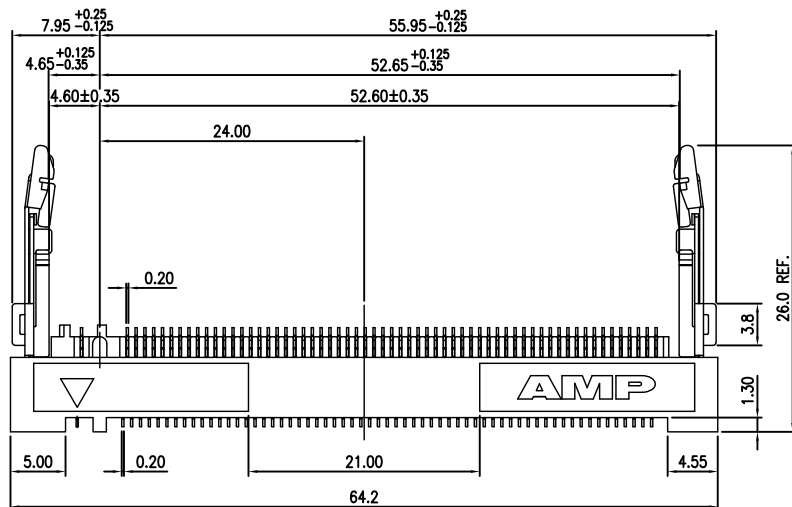
REVISIONS

P	LTR	DESCRIPTION	DATE	DWN	APVD
	N4	REVISED PER ECR-18-009184	13JUN2018	D.Z	S.L



NOTE :

- MATERIAL  
HOUSING : THERMOPLASTIC, LCP  
UL 94V-0, BLACK COLOR  
CONTACT : COPPER ALLOY  
LATCH : STEEL
- FINISH  
CONTACT : 0.25um MIN. GOLD PLATED IN CONTACT AREA,  
GOLD FLASH PALTING ON SOLDER TAIL AREA, WITH  
1.27um MIN. NICKEL UNDERPLATING ALL OVER.  
LATCH : 2.54um MIN. MATTE TIN PLATING(SEE TABLE) OVER  
0.76um MIN. NICKEL PLATING.
- CARD THICKNESS APPLIES ACROSS TABS AND INCLUDES PLATING  
AND/OR METALIZATION
- APPLICATION  
GOLD CONTACT PAD : ELECTROLESS GOLD PLATING 0.05um MIN  
OVER ELECTROLESS NICKEL PLATING 2um MIN
- BORDER OF COMPONENT AREA
- WEIGHT  
SEE PACKAGE TYPE



SMALL TRAY	W/O	TRANSPARENT	440360-5
TRAY	W/O	WHITE	440360-4
TRAY	W/O	TRANSPARENT	440360-2
PACKING	HOLE	PACK COLOR	PART NUMBER

THIS DRAWING IS A CONTROLLED DOCUMENT.		DWN -	TE Connectivity Ltd.	
DIMENSIONS: mm		CHK W. KODAMA	11MAR2008	
TOLERANCES UNLESS OTHERWISE SPECIFIED:		APVD W. KODAMA	NAME	
0 PLC ± -		PRODUCT SPEC	0.8mm PITCH FAX MODEM SOCKET, 124 POSITIONS	
1 PLC ± 0.15		APPLICATION SPEC	108-57083	
2 PLC ± 0.10		WEIGHT	SIZE A3	CAGE CODE 00779
3 PLC ± 0.05		CUSTOMER DRAWING	DRAWING NO	C-440360
4 PLC ± -		SCALE -	SHEET 1 of 7	RESTRICTED TO -
ANGLES ± 3'				REV N4
MATERIAL SEE NOTE				

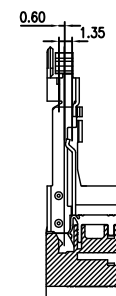
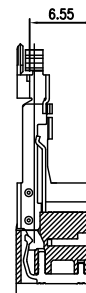
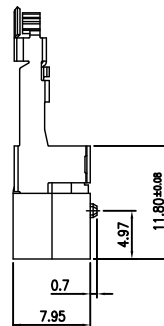
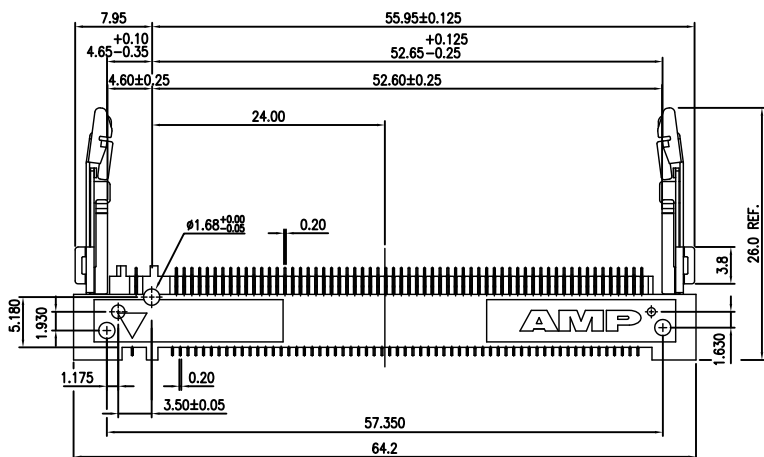
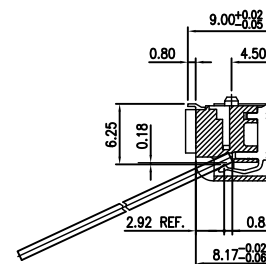
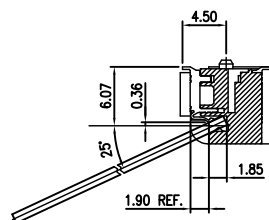
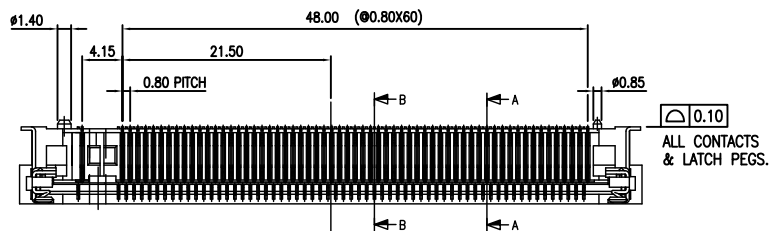
THIS DRAWING IS UNPUBLISHED. RELEASED FOR PUBLICATION

© COPYRIGHT 2011 TYCO ELECTRONICS CORPORATION

ALL RIGHTS RESERVED.

REVISIONS

P	LTR	DESCRIPTION	DATE	DWN	APVD
-	-	SEE SHEET 1	-	-	-



D

D

C

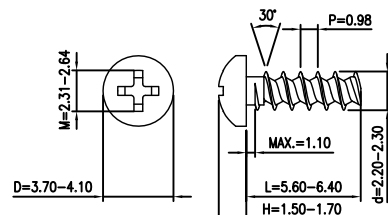
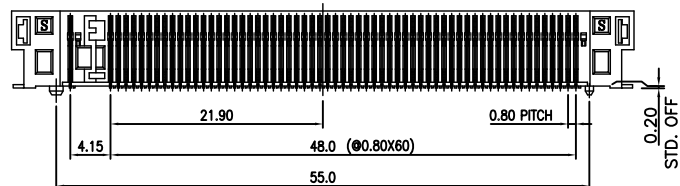
C

B

B

A

A

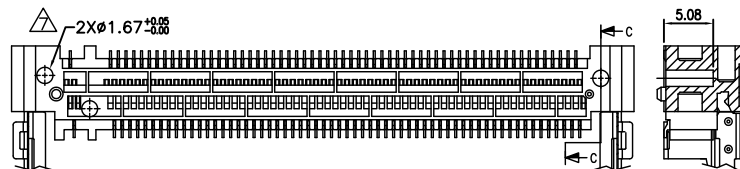


SCALE 4:1

M2.2X6 PT30 RECOMMENDED SCREW

NOTE:  
 ⚠ SCREW LOCATION AS APPLICABLE PER CUSTOMER.  
 ⚠ RECOMMENDED SCREW :  
 M2.2 X 6, PT 30 OR EQUIVALENT SCREW FOR THERMOPLASTIC.  
 9 TORQUE SCREWS TO 38-48 OZF-IN.

OBSOLETE	TRAY	W/	WHITE	1-440360-4
	PACKING	HOLE	TRANSPARENT	1-440360-2
			PACK COLOR	PART NUMBER



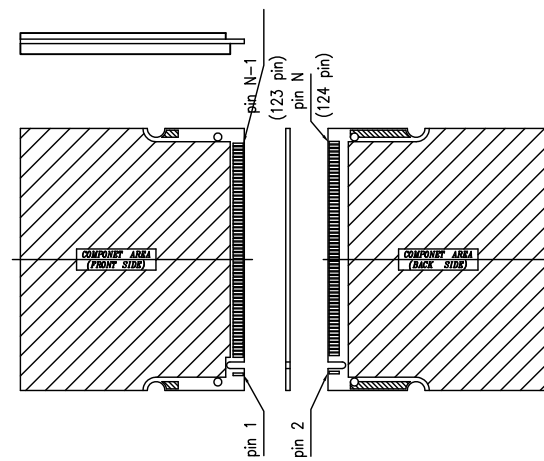
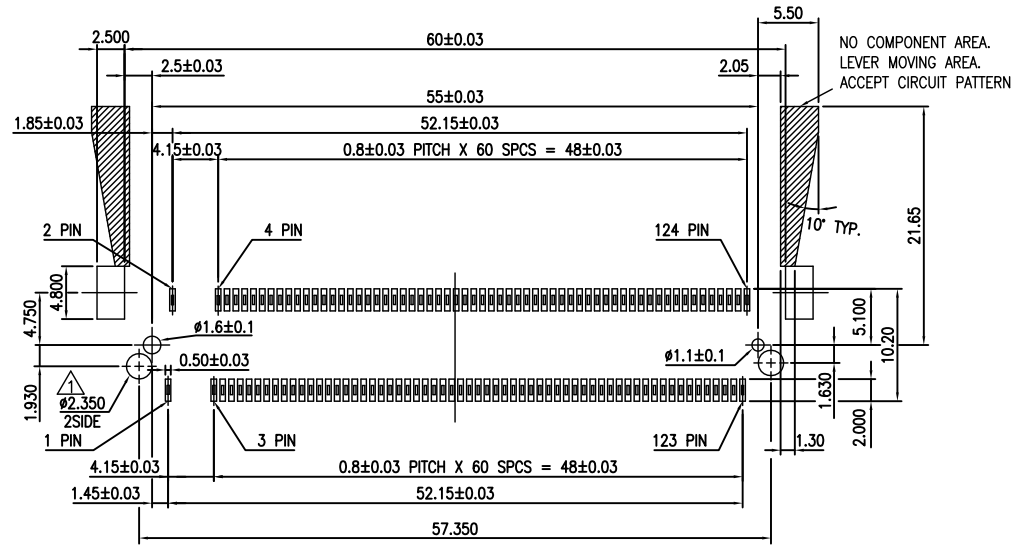
THIS DRAWING IS A CONTROLLED DOCUMENT.

DIMENSIONS:	TOLERANCES UNLESS OTHERWISE SPECIFIED:	DWN	-
mm	0 PLC ± -	CHK	-
	1 PLC ± 0.15	APVD	-
	2 PLC ± 0.10	PRODUCT SPEC	-
	3 PLC ± 0.05	APPLICATION SPEC	-
	4 PLC ± -	WEIGHT	-
	ANGLES ± 3'		
MATERIAL	FINISH	TE Connectivity Ltd.	
SEE NOTE	-	NAME 0.8mm PITCH FAX MODEM SOCKET, 124 POSITIONS	
		SIZE	CAGE CODE
		A3	00779
		DRAWING NO	RESTRICTED TO
		C-440360	-
CUSTOMER DRAWING		SCALE	SHEET
		-	2 OF 7
		REV	N4

THIS DRAWING IS UNPUBLISHED. RELEASED FOR PUBLICATION - - - ALL RIGHTS RESERVED. COPYRIGHT 2011 TYCO ELECTRONICS CORPORATION

REVISIONS

P	LTR	DESCRIPTION	DATE	DWN	APVD
-	-	SEE SHEET 1	-	-	-

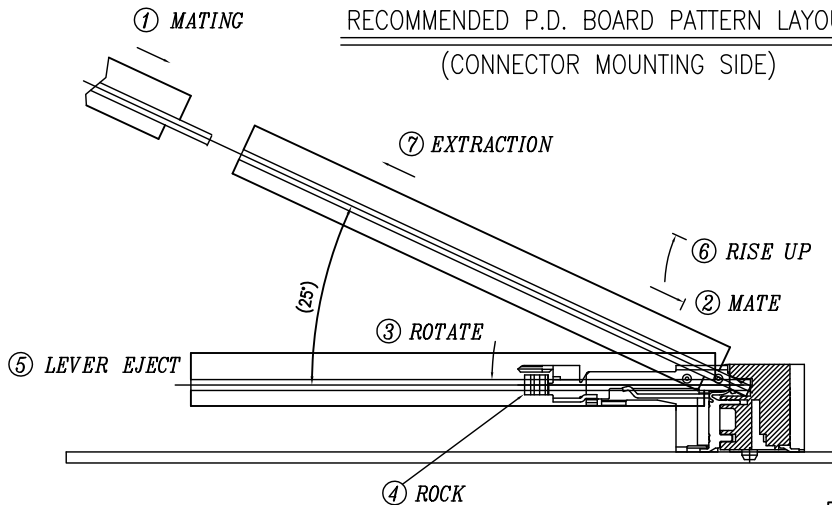


CIRCUIT POSITION OF S.O.DIMM

NO COMPONENT AREA. LEVER MOVING AREA. ACCEPT CIRCUIT PATTERN.

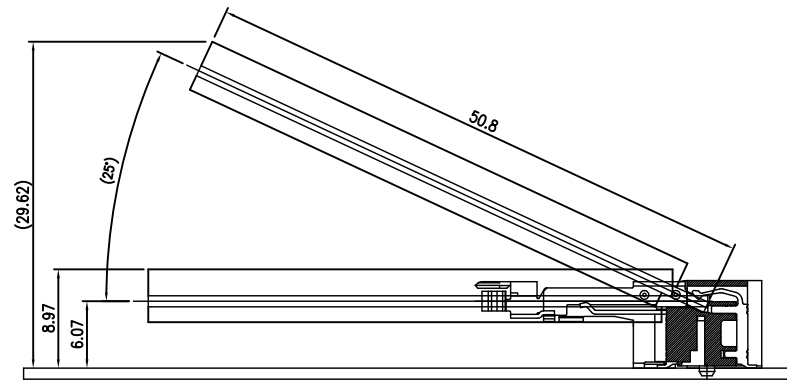
NOTE: THE HOLES ARE ONLY FOR P/N : 1-0440360-X.

RECOMMENDED P.D. BOARD PATTERN LAYOUT (CONNECTOR MOUNTING SIDE)



HOW TO MATE AND UNMATE

MATE: ① ~ ④  
UNMATE: ⑤ ~ ⑦



EJECT HEIGHT

THIS DRAWING IS A CONTROLLED DOCUMENT.		DWN -	TE Connectivity Ltd.			
DIMENSIONS: mm		CHK -				
TOLERANCES UNLESS OTHERWISE SPECIFIED:		APVD -	NAME			
0 PLC	± -	PRODUCT SPEC	0.8mm PITCH FAX MODEM SOCKET, 124 POSITIONS			
1 PLC	± -	APPLICATION SPEC	SIZE CAGE CODE DRAWING NO RESTRICTED TO			
2 PLC	± -	WEIGHT -	A3	00779	C-440360	-
3 PLC	± -	CUSTOMER DRAWING	SCALE -		SHEET 3 of 7	REV N4
4 PLC	± -					
ANGLES	± -					
MATERIAL -	FINISH -					

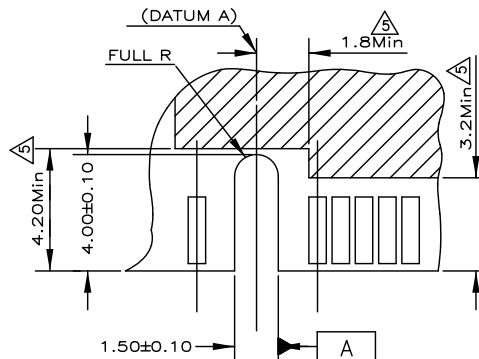
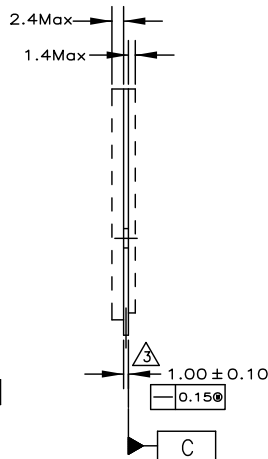
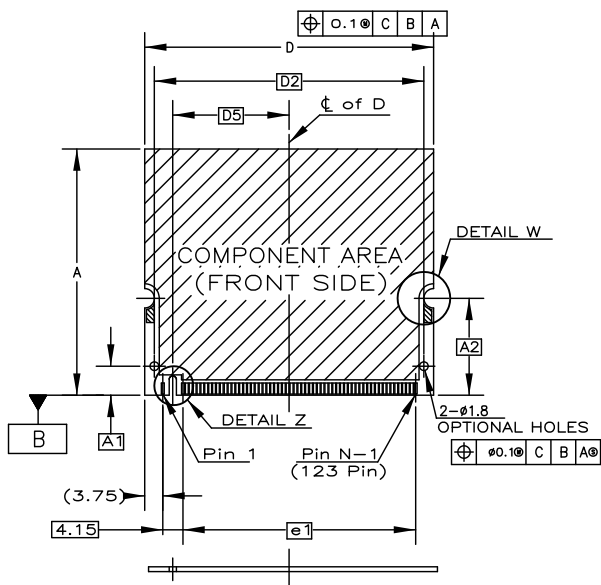
THIS DRAWING IS UNPUBLISHED. RELEASED FOR PUBLICATION

ALL RIGHTS RESERVED.

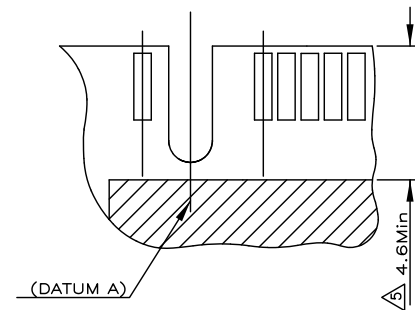
© COPYRIGHT 2011 TYCO ELECTRONICS CORPORATION

REVISIONS

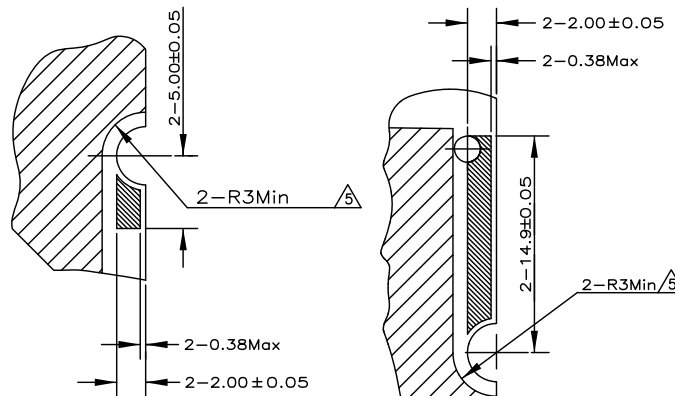
P	LTR	DESCRIPTION	DATE	DWN	APVD
-	-	SEE SHEET 1	-	-	-



Detail : Z (FRONT SIDE)

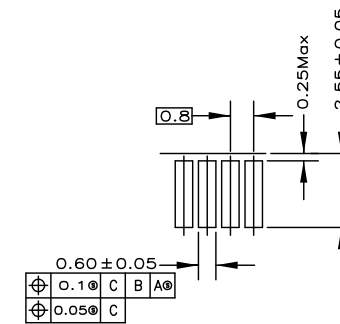


Detail : V (BACK SIDE)

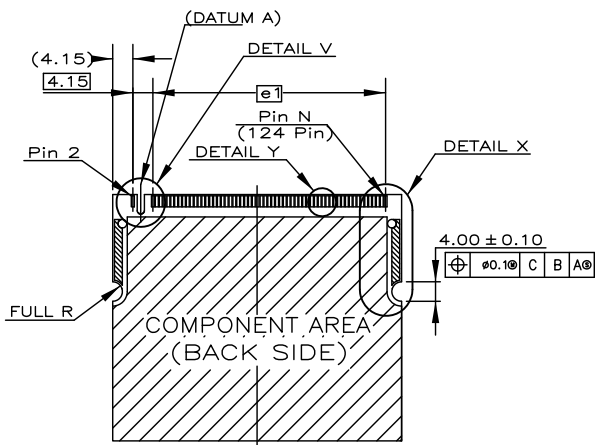


Detail : W (FRONT SIDE)

Detail : X (BACK SIDE)

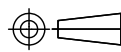


Detail : Y (BACK SIDE)



THIS DRAWING IS A CONTROLLED DOCUMENT.

DIMENSIONS: mm



TOLERANCES UNLESS OTHERWISE SPECIFIED:

0 PLC	±
1 PLC	±
2 PLC	±
3 PLC	±
4 PLC	±
ANGLES	±

MATERIAL

FINISH

DWN	-
CHK	-
APVD	-
PRODUCT SPEC	-
APPLICATION SPEC	-
WEIGHT	-

TE Connectivity Ltd.			
NAME			
0.8mm PITCH FAX MODEM SOCKET, 124 POSITIONS			
SIZE	CAGE CODE	DRAWING NO	RESTRICTED TO
A3	00779	C-440360	-

CUSTOMER DRAWING SCALE - SHEET 4 OF 7 REV N4

4

3

2

1

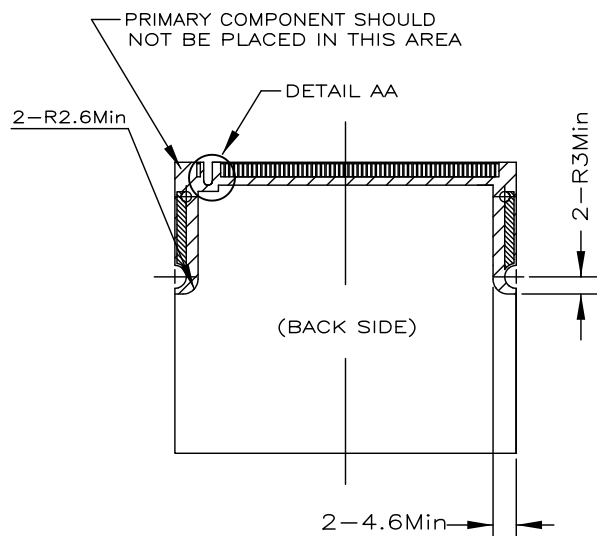
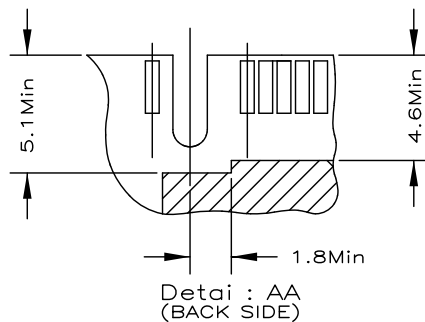
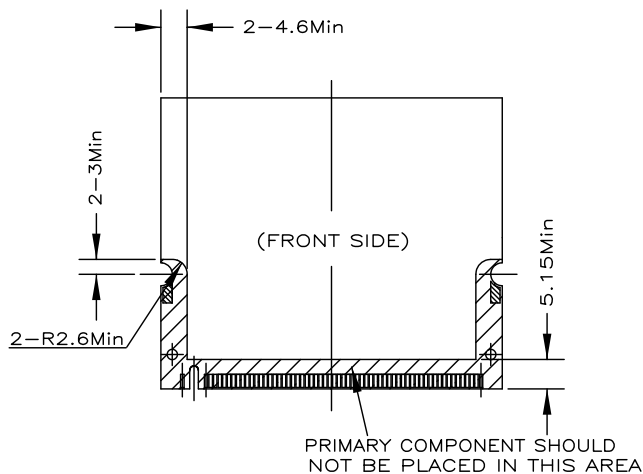
THIS DRAWING IS UNPUBLISHED. RELEASED FOR PUBLICATION

© COPYRIGHT 2011 TYCO ELECTRONICS CORPORATION

ALL RIGHTS RESERVED.

REVISIONS

P	LTR	DESCRIPTION	DATE	DWN	APVD
-	-	SEE SHEET 1	-	-	-



SOYMBOL	VARIATIONS ALL DIMENSIONS IN mm					
	NORMAL HEIGHT 44.45			NORMAL HEIGHT 50.80		
	AA			BA		
	MIN	NOM	MAX	MIN	NOM	MAX
A	44.3	44.45	44.60	50.65	50.80	50.95
A1	6.00	BSC		6.00	BSC	
A2	20.00	BSC		20.00	BSC	
D	59.45	59.6	59.75	59.45	59.6	59.75
D1	1.30	BSC		1.30	BSC	
D2	55.60	BSC		55.60	BSC	
D3	2.05	BSC		2.05	BSC	
D4	1.65	BSC		1.65	BSC	
D5	24.00	BSC		24.00	BSC	
e1	48.00	BSC		48.00	BSC	
N		124			124	

THIS DRAWING IS A CONTROLLED DOCUMENT.

DWN -  
CHK -  
APVD -

TE Connectivity Ltd.

NAME: 0.8mm PITCH FAX MODEM SOCKET, 124 POSITIONS

SIZE: A3 CAGE CODE: 00779 DRAWING NO: 440360 RESTRICTED TO: -

MATERIAL: - FINISH: - WEIGHT: -

CUSTOMER DRAWING SCALE: - SHEET: 5 OF 7 REV: N4

DIMENSIONS:	TOLERANCES UNLESS OTHERWISE SPECIFIED:
mm	
0 PLC	± -
1 PLC	± -
2 PLC	± -
3 PLC	± -
4 PLC	± -
ANGLES	± -

4

3

2

1

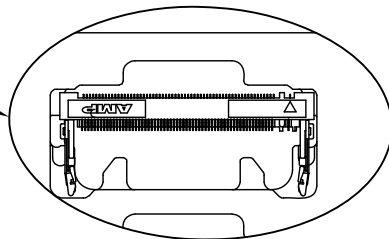
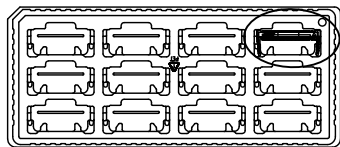
THIS DRAWING IS UNPUBLISHED. RELEASED FOR PUBLICATION

© COPYRIGHT 2011 TYCO ELECTRONICS CORPORATION

ALL RIGHTS RESERVED.

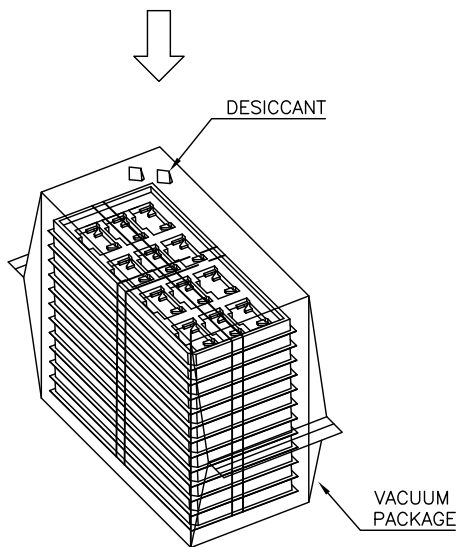
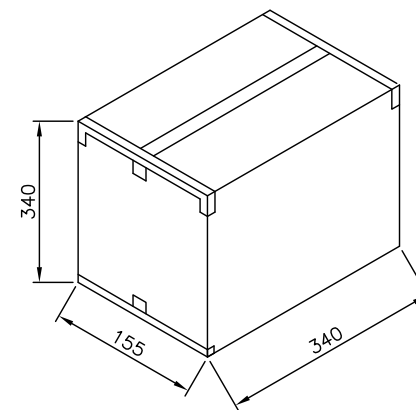
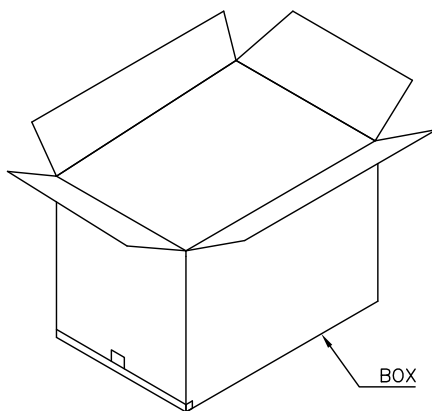
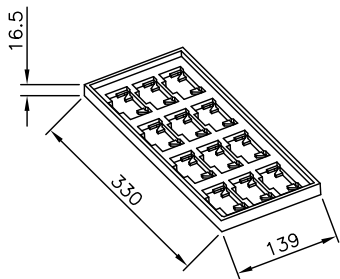
REVISIONS

P	LTR	DESCRIPTION	DATE	DWN	APVD
-	-	SEE SHEET 1	-	-	-



NOTES :

- 1. MATERIAL :
  - TRAY: PET, COLOR: TRANSPARENT.
  - BOX: CORRUGATED FIBER
  - TRANSPARENT BAG: PE, SIZE: 660mm\*600mm\*0.08mm
- 2. EACH BAG SHALL BE INCLUDED:
  - \* DESICCANT



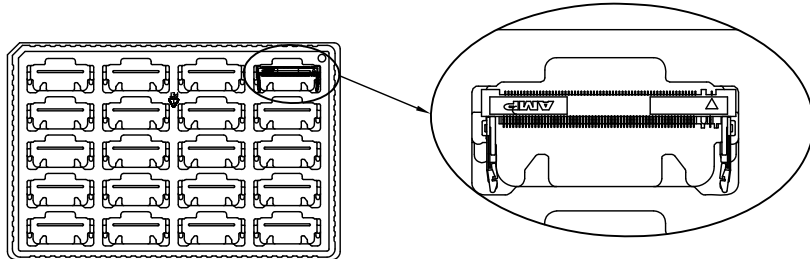
SMALL TRAY

4.2 KG	2.1 KG	12	30	360	440360-5
GROSS WEIGHT	NET WEIGHT	PCS/ TRAY	TRAY/ CARTON	PCS/ BOX	PN

THIS DRAWING IS A CONTROLLED DOCUMENT.		DWN -	TE Connectivity Ltd.		
		CHK -			
DIMENSIONS: mm		APVD -	NAME		
		PRODUCT SPEC -	0.8mm PITCH FAX MODEM SOCKET, 124 POSITIONS		
TOLERANCES UNLESS OTHERWISE SPECIFIED: 0 PLC ± - 1 PLC ± - 2 PLC ± - 3 PLC ± - 4 PLC ± - ANGLES ± -		APPLICATION SPEC -			
MATERIAL -	FINISH -	WEIGHT 0	SIZE A3	CAGE CODE 00779	DRAWING NO C-440360
CUSTOMER DRAWING			RESTRICTED TO -	SCALE -	SHEET 6 OF 7
			REV N4		

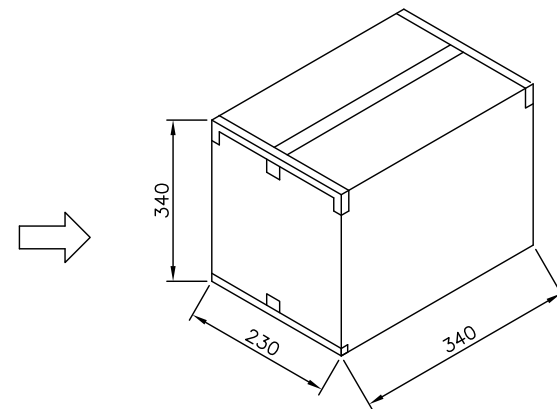
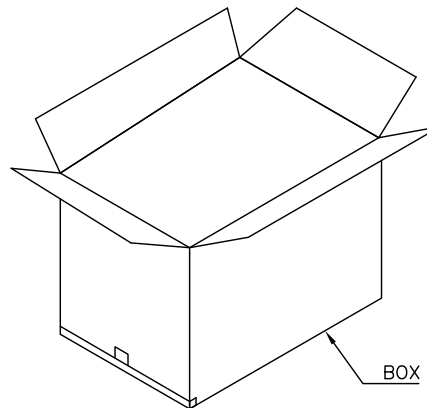
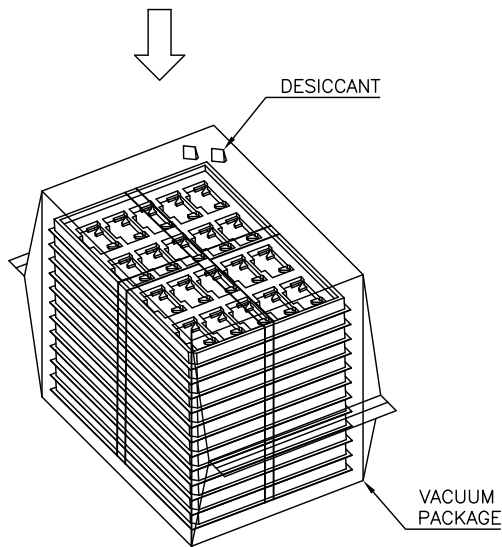
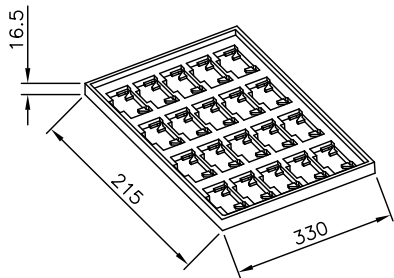
THIS DRAWING IS UNPUBLISHED. RELEASED FOR PUBLICATION  
 © COPYRIGHT 2011 TYCO ELECTRONICS CORPORATION ALL RIGHTS RESERVED.

REVISIONS					
P	LTR	DESCRIPTION	DATE	DWN	APVD
-	-	SEE SHEET 1	-	-	-



NOTES :

- MATERIAL :  
 TRAY: PET, COLOR: TRANSPARENT.  
 BOX: CORRUGATED FIBER  
 TRANSPARENT BAG: PE, SIZE: 660mm\*600mm\*0.08mm
- EACH BAG SHALL BE INCLUDED:  
 \* DESICCANT



6.2 KG	3.5 KG	20	30	600	440360-2
GROSS WEIGHT	NET WEIGHT	PCS/ TRAY	TRAY/ CARTON	PCS/ BOX	PN

THIS DRAWING IS A CONTROLLED DOCUMENT.		DWN -	<b>TE Connectivity Ltd.</b>		
DIMENSIONS: mm		CHK -			
TOLERANCES UNLESS OTHERWISE SPECIFIED:		APVD -	NAME		
0 PLC ± -		PRODUCT SPEC -	0.8mm PITCH FAX MODEM SOCKET, 124 POSITIONS		
1 PLC ± -		APPLICATION SPEC -	SIZE CAGE CODE DRAWING NO RESTRICTED TO		
2 PLC ± -		WEIGHT -	A3 00779 C-440360 -		
3 PLC ± -		CUSTOMER DRAWING			
4 PLC ± -		SCALE -	SHEET 7 OF 7		REV N4
ANGLES ± -					
MATERIAL -					
FINISH -					