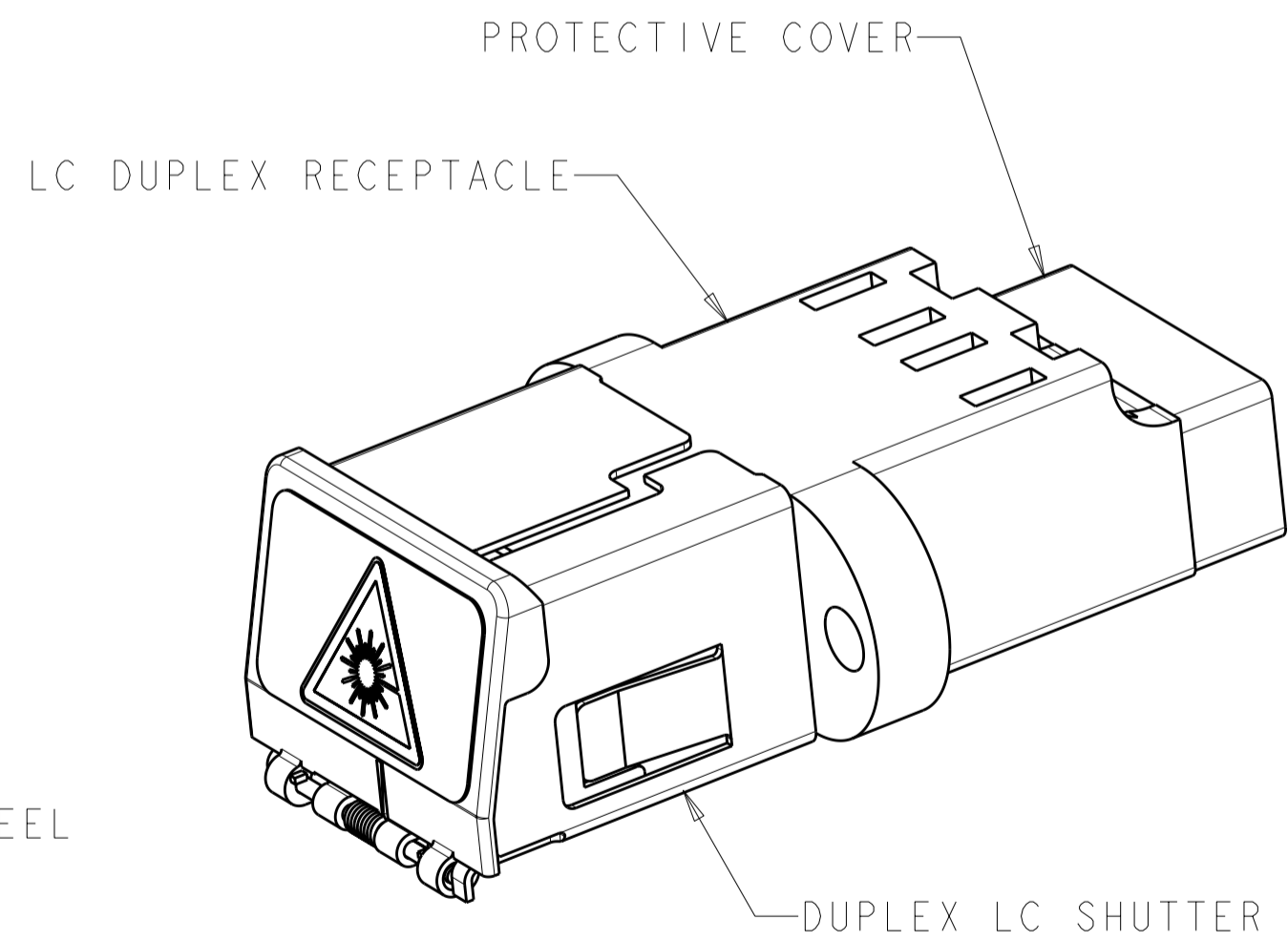
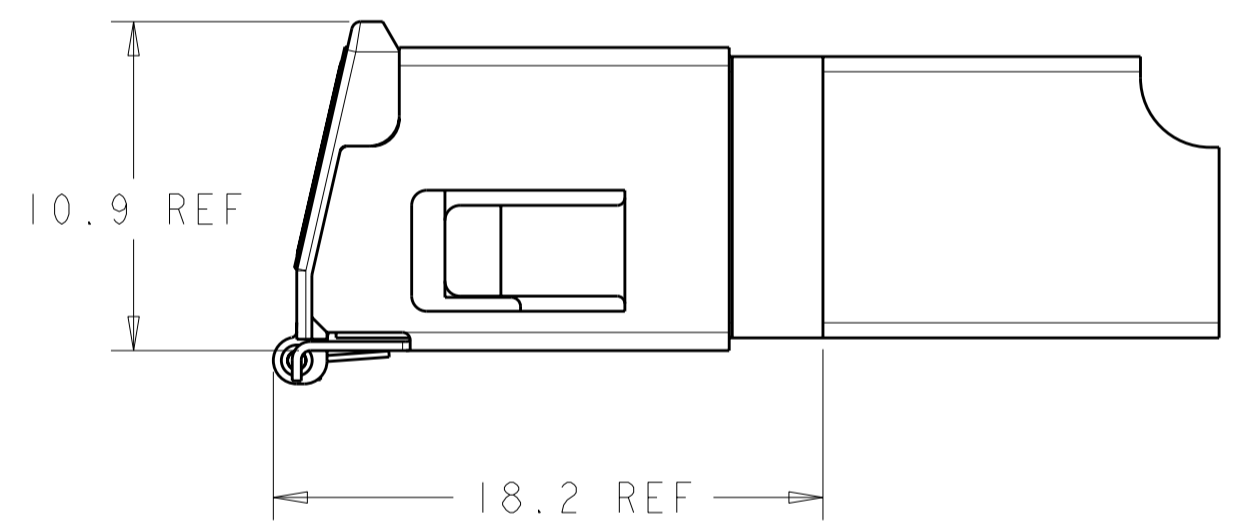
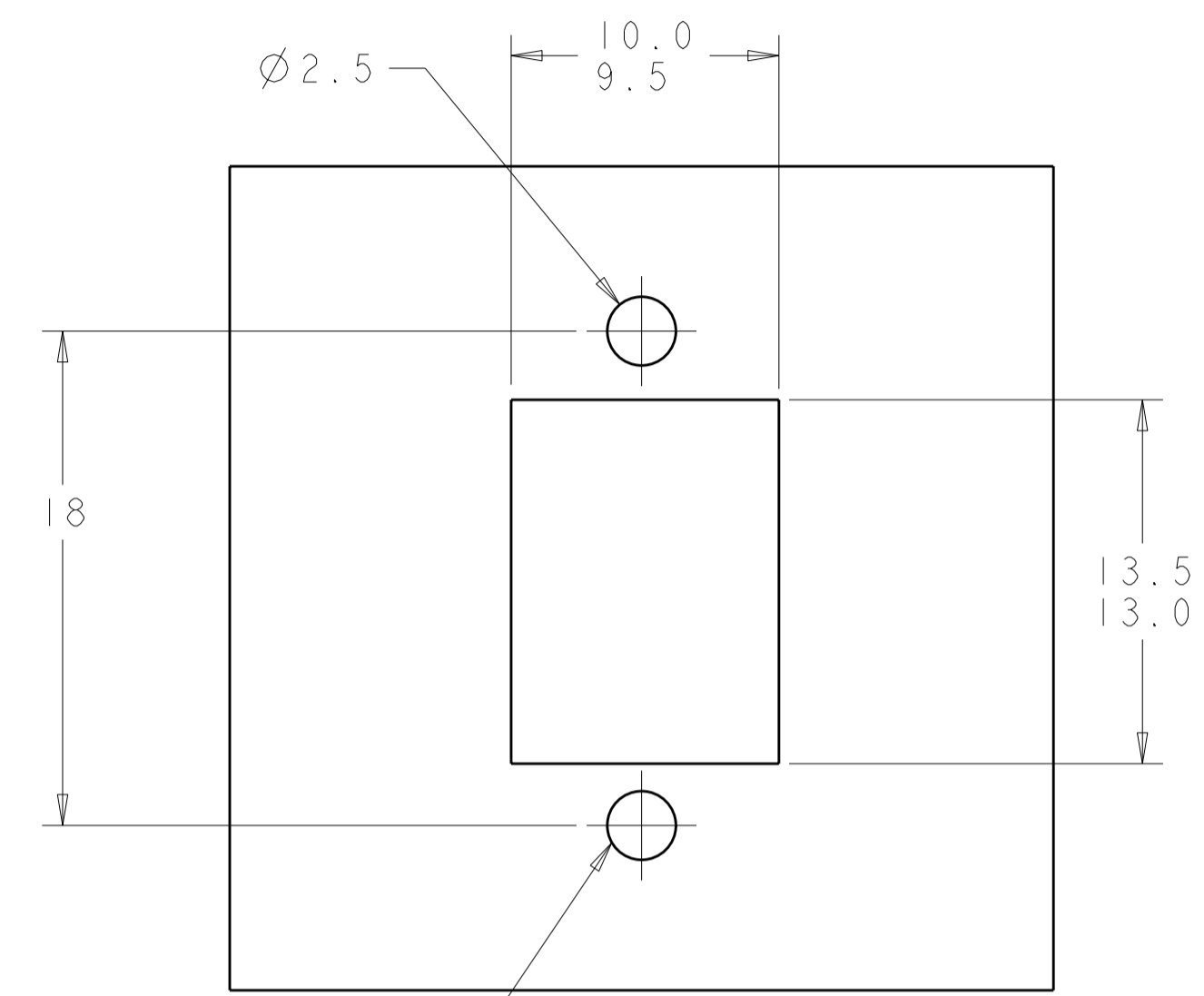
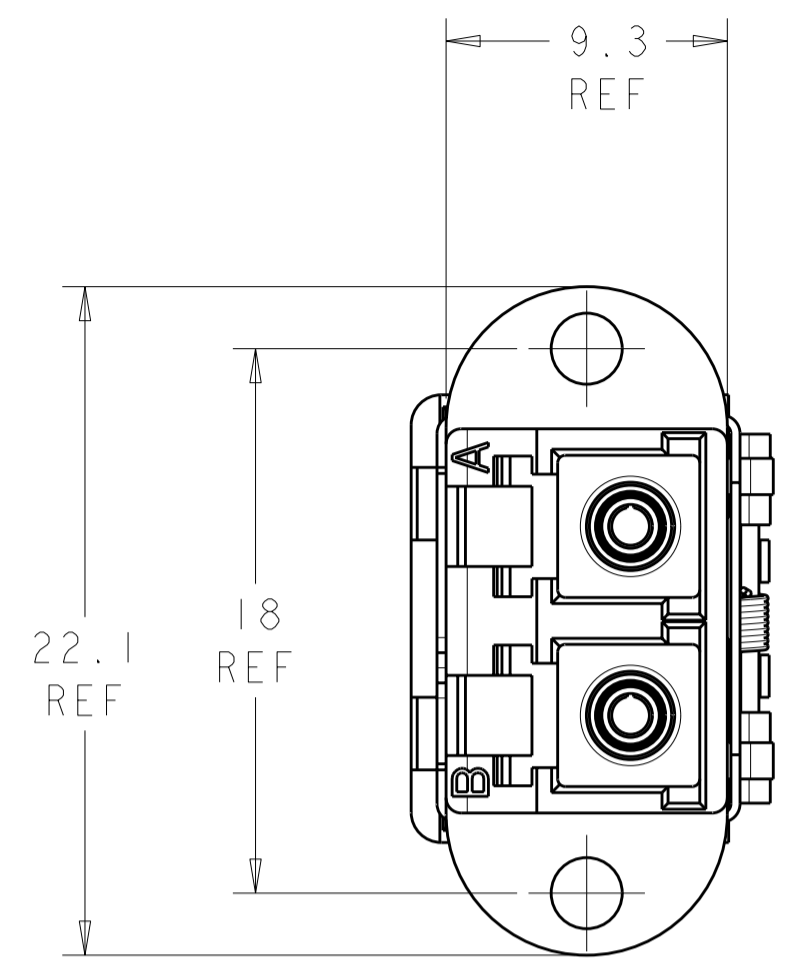
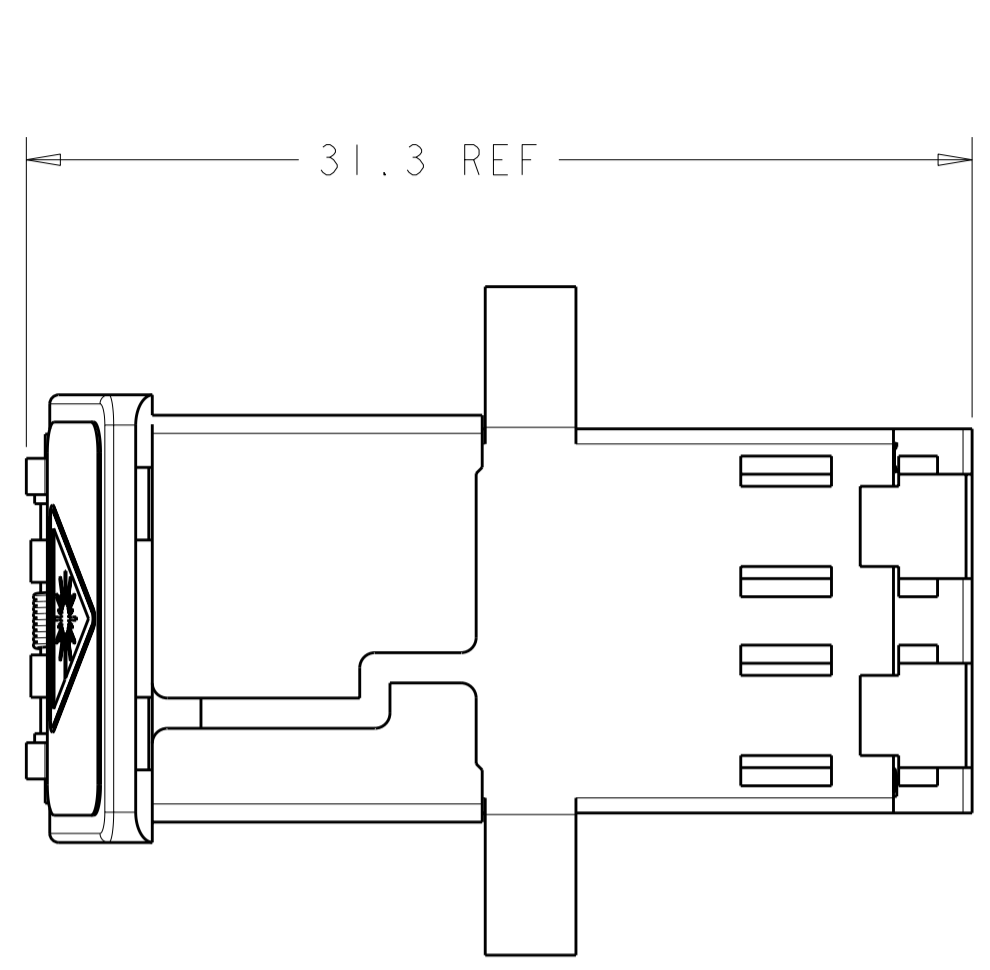


THIS DRAWING IS UNPUBLISHED. RELEASED FOR PUBLICATION 20
 © COPYRIGHT 20 BY TYCO ELECTRONICS CORPORATION. ALL RIGHTS RESERVED.

LOC	DIST	REVISIONS			
P	LTR	DESCRIPTION	DATE	DWN	APVD
CE	00	A	ECR-09-013584	23JUN2009	BB SM



M2-0.4 OR #2-56UNC WHEN REQUIRED

RECOMMENDED PANEL CUTOUT
 MAX. THICKNESS 1.7.

1 MATERIAL:
 HOUSING: ZINC DIE CAST
 PROTECTIVE CAP: THERMOPLASTIC ELASTOMER
 ALIGNMENT SLEEVE: CERAMIC
 SHUTTER HOUSING, SPRING, AND SHAFT: STAINLESS STEEL
 SHUTTER DOOR: POLYCARBONATE, COLOR: BLACK*
 LABEL: PET FILM, COLOR: BLUE
 *UL 94 V-0 RATED AT QUALIFYING THICKNESS

2 FINISH:
 HOUSING: ELECTROLESS NICKEL OVER COPPER

2064685-1
 PART NUMBER

THIS DRAWING IS A CONTROLLED DOCUMENT FOR TYCO ELECTRONICS CORPORATION. IT IS SUBJECT TO CHANGE AND THE CONTROLLING ENGINEERING ORGANIZATION SHOULD BE CONTACTED FOR THE LATEST REVISION.		DWN B. BRIGGS 03NOV2008	Tyco Electronics Harrisburg, PA 17105-3608	
DIMENSIONS: mm		CHK S. MILLER 03NOV2008	NAME ASSEMBLY, DUPLEX LC RECEPTACLE, METAL	
TOLERANCES UNLESS OTHERWISE SPECIFIED: 0 PLC ±0.1 1 PLC ±0.1 2 PLC ± 3 PLC ± 4 PLC ± ANGLES ±		APVD D. BAECHTLE 03NOV2008	RESTRICTED TO	
MATERIAL		PRODUCT SPEC	SIZE A2	CAGE CODE 00779
FINISH		APPLICATION SPEC	DRAWING NO 2064685	REV A
CUSTOMER DRAWING		WEIGHT	SCALE 5:1	SHEET 1 OF 1