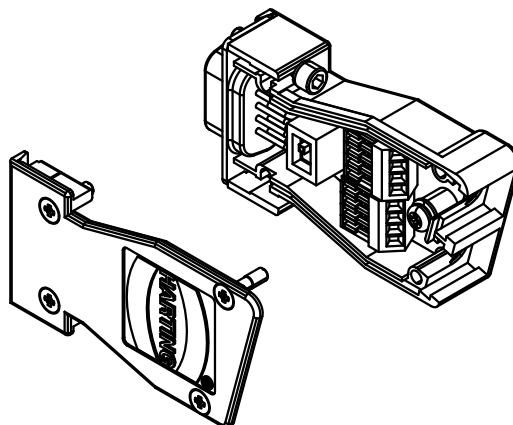
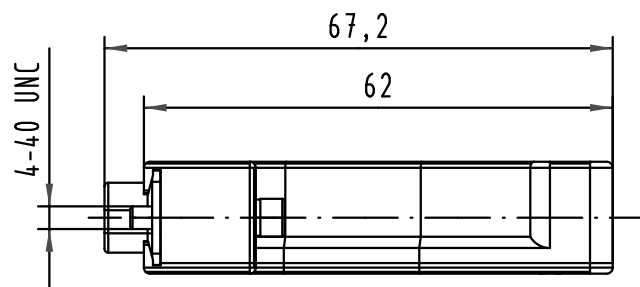
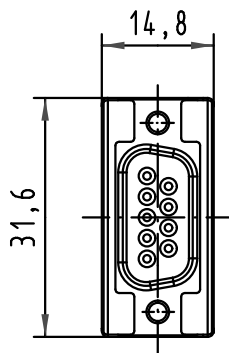
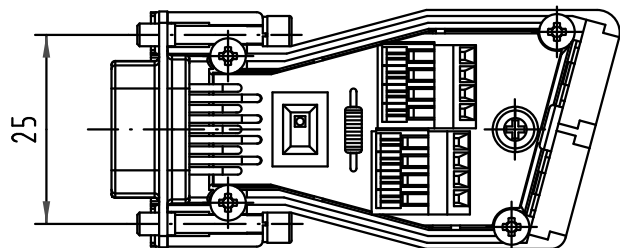
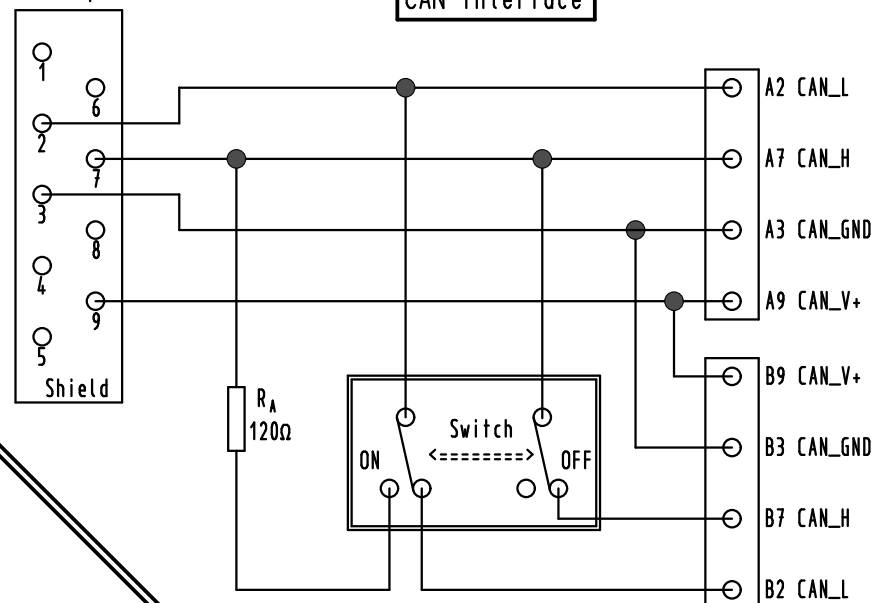


Darstellung ohne Deckel
view without cover



D-Sub 9 poles

CAN Interface



	All Dimensions in mm Original Size DIN A 4			Techn. Character. IP40		Nicht tolerierte Maß/Free size tolerances		
				Dat.	Name	Maßstab/Scale 1:1	InduCom 9 female - CAN - 4/40 UNC without clamp accessory	
				Detail.	28.06.06			Leh.
				Insp.				
			Stand.					
66 63 009 5008	S4	36094	14/09/10	BH	HARTING EURL F-95972 Paris		TB 66 63 009 5008	
Part number	Performance level	33626						Blatt/ page 1 / 1
		Mod.	Dat.	Name	Sub.			