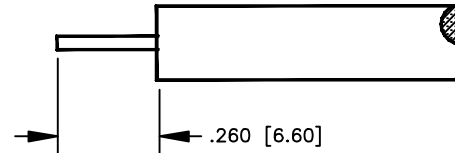
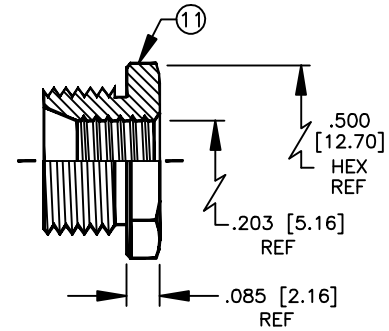
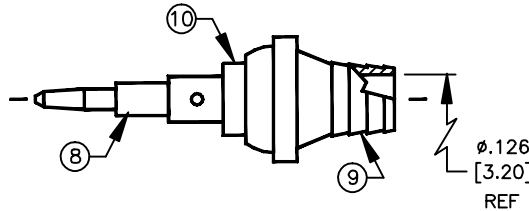
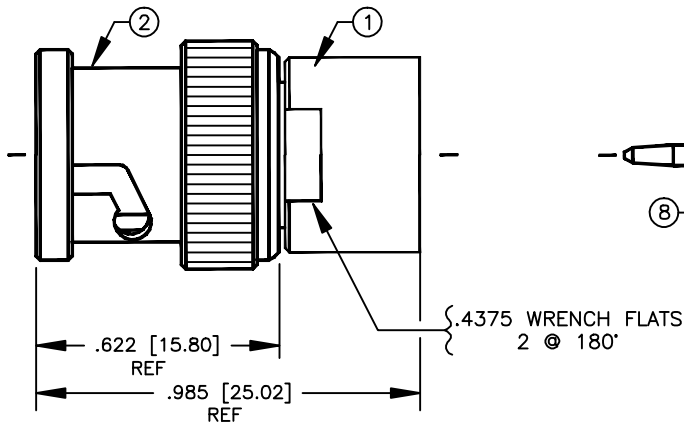


# SPECIFICATION CONTROL DRAWING

THIS DRAWING CONTAINS INFORMATION PROPRIETARY TO RF INDUSTRIES, LTD. ANY UNAUTHORIZED USE OF THIS DRAWING IS EXPRESSLY PROHIBITED. ANY VIOLATION IS PUNISHABLE UNDER U.S. COPYRIGHT LAWS.

REV	DESCRIPTION	DWN	DATE	APPROVED
A	ENGINEERING RELEASE	PB	8/6/92	J. BENZ
B	CHANGE PIN/PIN ASSY CONFIG / ADD THREAD CALL OUTS	KMM	5/12/94	F. VIERA
C	CHANGE BODY OD \ CHANGE WRENCH FLAT DIMENSION	KMM	4/3/95	R. RICE



## SPECIFICATIONS:

IMPEDANCE: 50 OHMS  
 VOLTAGE RATING: 500 VOLTS RMS  
 FREQUENCY RANGE: 0-4 GHz  
 FOR RG-58, 58A, 58C, 141, 141A, 400/U, BELDEN 8219, 8240, 8259, 8262, 9201, 9203, 9310, 9311, COMM/SCOPE 0268 & CUSHCRAFT ULTRALINK CABLE

SUGGESTED STRIPPING INSTRUCTIONS

DIMENSIONS ARE IN INCHES AND [MILLIMETERS]  
 UNLESS OTHERWISE NOTED TOLERANCES ARE:  
 DECIMALS DIAMETER

**RF connectors**  
 DIVISION OF RF INDUSTRIES, LTD.

7610 MIRAMAR RD  
 SAN DIEGO, CA 92126  
 (619)549-6340  
 (619)549-6345 FAX

ITEM	DESCRIPTION	QTY	MATERIAL	FINISH
11	IN LINE HEX NUT	1	BRASS	NICKEL
10	DIELECTRIC	1	PTFE	NONE
9	PIN ASSEMBLY	1	BRASS	NICKEL
8	PIN	1	BRASS	SILVER
7	WASHER	1	BRASS	NICKEL
6	SPRING	1	SK-5	NONE
5	SPLIT LOCK WASHER	1	BRASS	NICKEL
4	GASKET	1	S.I. RUBBER	BRT ORANGE
3	DIELECTRIC	1	PTFE	NONE
2	SHELL	1	BRASS	NICKEL
1	BODY	1	BRASS	NICKEL

DRAWN	K. MAXWELL	4/3/95
CHECKED		
ISSUED	H. HILL	4/3/95
ORJ DRAWN	P. BREAUX	1/4/93
APPROVALS		DATE

<b>RFB-1102-T</b>			
BNC MALE SOLDERLESS PLUG FOR RG-58/U			
SIZE	CABLE GROUP	DWG NO.	REV
A	C	8054C	C
SCALE:	2:1	CAD FILE	13ARC 192
			SHEET 1 OF 1