



## Main

Range of Product	Harmony XB5
Sale per indivisible quantity	1

## Complementary

Panel Thickness with accessory	0.06...0.10 in (1.5...2.5 mm)
Product or Component Type	Metal protection cover
Material	Metal
Accessory / separate part category	Protection accessories
Product compatibility	Panel mounted RJ45 port XB5P Panel mounted USB port XB5P
IP degree of protection	IP65 conforming to IEC 60529 IP67 conforming to IEC 60529 IP69K conforming to IEC 60529
Color	Silver

## Ordering and shipping details

Category	00028 - DATA PORTS
Discount Schedule	CS2
GTIN	3606481194244
Nbr. of units in pkg.	1
Package weight(Lbs)	0.42 oz (12 g)
Returnability	No
Country of origin	DE

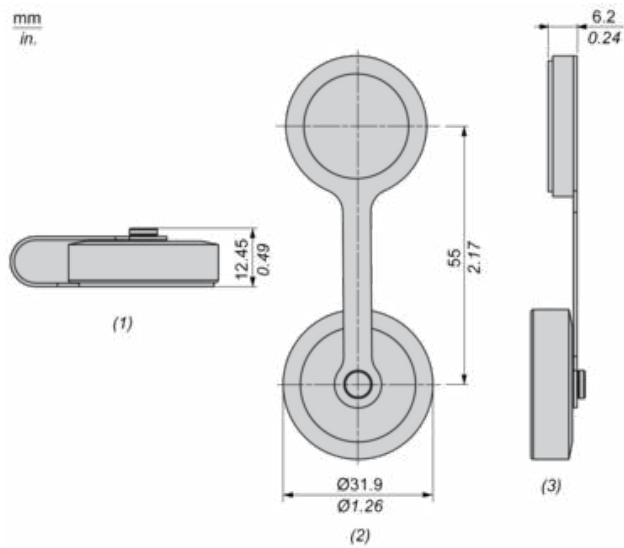
## Packing Units

Unit Type of Package 1	PCE
Package 1 Height	0.98 in (2.5 cm)
Package 1 width	1.57 in (4 cm)
Package 1 Length	2.36 in (6 cm)
Unit Type of Package 2	S02
Number of Units in Package 2	100
Package 2 Weight	3.42 lb(US) (1.551 kg)
Package 2 Height	5.91 in (15 cm)
Package 2 width	11.81 in (30 cm)
Package 2 Length	15.75 in (40 cm)

## Offer Sustainability

California proposition 65	WARNING: This product can expose you to chemicals including: Lead and lead compounds, which is known to the State of California to cause cancer and birth defects or other reproductive harm. For more information go to <a href="http://www.P65Warnings.ca.gov">www.P65Warnings.ca.gov</a>
EU RoHS Directive	Pro-active compliance (Product out of EU RoHS legal scope) <a href="#">EU RoHS Declaration</a>
Mercury free	Yes
RoHS exemption information	<a href="#">Yes</a>
China RoHS Regulation	<a href="#">China RoHS Declaration</a>

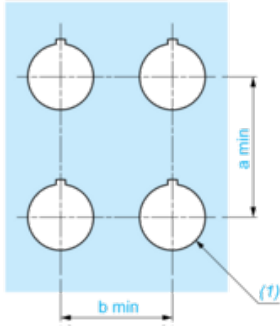
Dimensions



- (1) Side view - Closed
- (2) Front View - Open
- (3) Side view - Open

Panel Cut-out for Protective Cover (Finished Holes, Ready for Installation)

Connection by Screw Clamp Terminals or Plug-in Connectors



(1) Diameter on finished panel or support

Connections	a in mm	a in in.	b in mm	b in in.
By screw clamp terminals or plug-in connector	50	1.97	40	1.57