

Single Port PoE RJ45 Connector

AR11-4618IR

- 10/100 Base-T Ethernet Application
- PoE compatible with IEEE802.3af
- For applications with 350mA current capability
- RJ45 jack cavity conforms to FCC rules and regulations Part 68, SUB Part F
- Industrial Temp: -40°C to +85°C
- Suitable for IR Reflow



Electrical Specifications @ 25°C

OCL(μH Min) @ 100kHz, 0.1V	Turns Ratio (±5%)		Insertion Loss (dB Max)	CrossTalk (dB Min)
With 8mA DC Bias	P1-P3 : J1-J2	P4-P5 : J3-J6	1-100MHz	1-100MHz
350	1 : 1	1 : 1	-1.0	-30

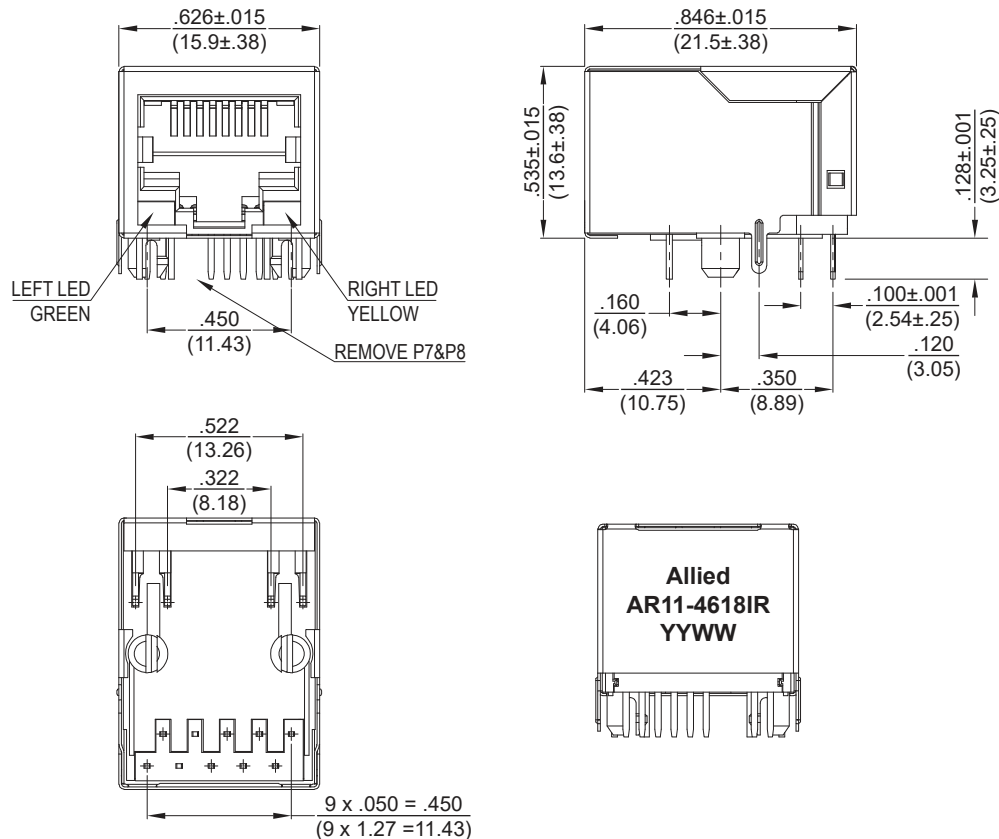
Electrical Specifications @ 25°C

Return Loss (dB Min)			CMR (dB Min)	HI-POT INPUT-OUTPUT 1.0mA/3Sec. 1500VAC
1-30MHz	30-60MHz	60-80MHz	1-100MHz	
-18	-16	-12	-30	

All specifications subject to change without notice.

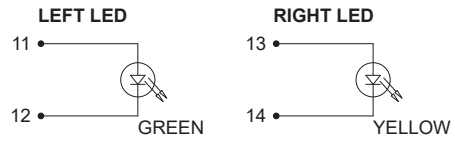
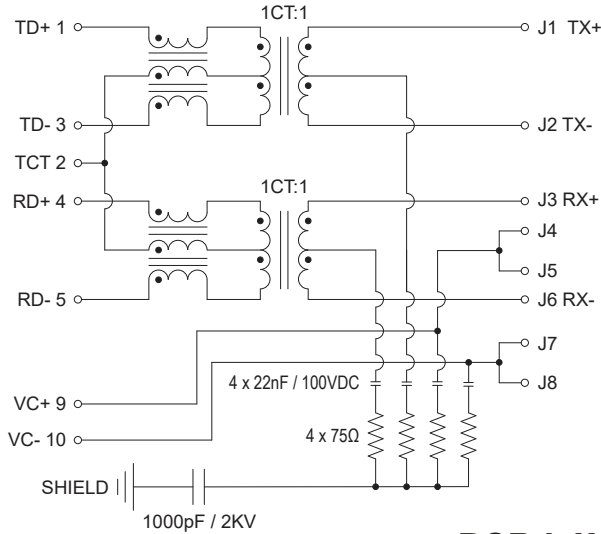
MECHANICAL

DIMENSIONS: $\frac{\text{inch}}{\text{mm}}$





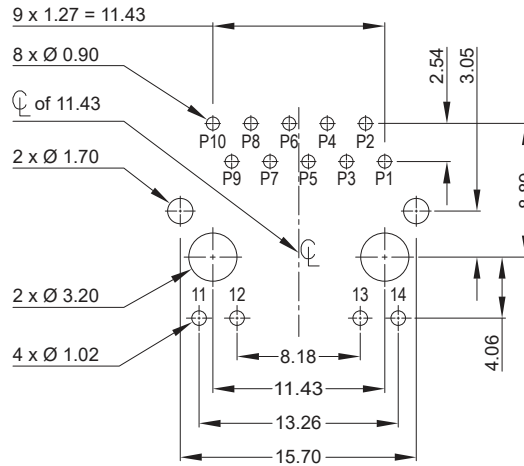
SCHEMATICS



STANDARD LED	WAVELENGTH	FORWARD VOLTAGE
GREEN	565nm	2.5V Max
YELLOW	585nm	2.5V Max

With a forward current of 20mA.

PCB LAYOUT



NOTES

- Shielded** - 0.20mm Thickness Brass C2680H
Plating Nickel 20µ" Min.
- Housing** - Plastic: LCP, Glass Fiber Filled
Polyester UL94V-0 Standard Color Black
- Contact Pin** - Plastic: LCP, Glass Fiber Filled
Polyester UL94V-0 Standard Color Black
Pin: 0.35mm Thickness Phosphor Bronze C5210 EH
Plating: Nickel 30µ"-60µ" for all and Sn 100% and Gold Plating 30µ"
- Insert Pin** - Plastic: LCP, Glass Fiber Filled
Polyester UL94V-0 Standard Color Black
Pin: 0.35mm Thickness SUS430
Plating: Sn All Over 30µ"-60µ" Nickel

Wave Solder Profile:

- Peak temperature (Tp): 260°C±5°C
- Peak temperature (Tp) time: 5 Sec Max

