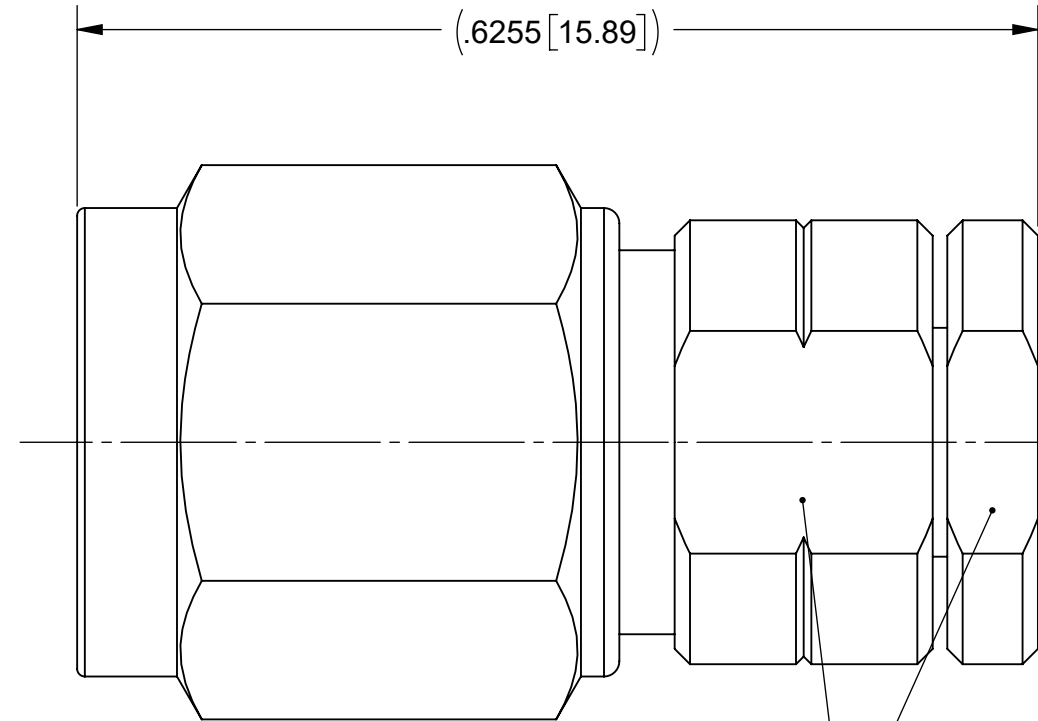
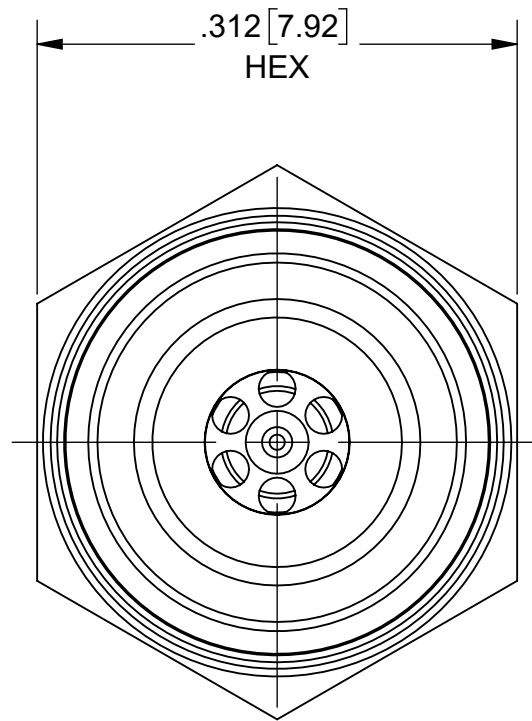
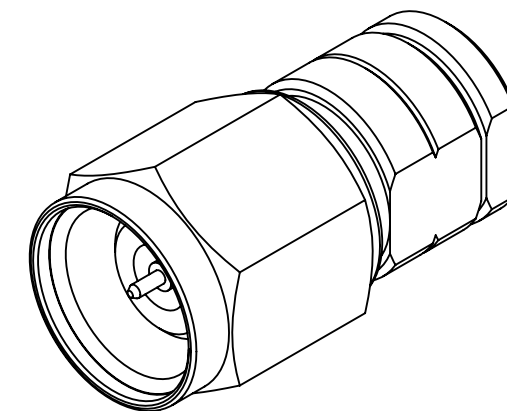


PRODUCT DATA DRAWING

REVISION HISTORY			
REV	DESCRIPTION	DATE	APPROVED
C	REV. DCN 42568	08/08/16	STW
D	DCN 49585	01/20	DAL



2X .250
ACROSS
FLATS



MATERIAL:

BODY, SLEEVE, CLAMP
NUT & COUPLING NUT: STAINLESS STEEL PER AMS 5640, ALLOY No. UNS S30300,
TYPE 1, OR ASTM A582, TYPE 303, CONDITION A.

LOCK RING, CONTACT
& FERRULE: BERYLLIUM COPPER PER ASTM B196,
ALLOY No. UNS C17300, TD04

BEAD: POLYETHERIMIDE(ULTEM 1000) PER ASTM D5205

GASKET: SILICONE RUBBER PER A-A-59588, CLASS 2B, GRADE 60/70


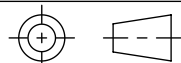
FINISH:

BODY, SLEEVE, CLAMP
NUT & COUPLING NUT: PASSIVATED PER AMS 2700.

CONTACT &
FERRULE: GOLD PER ASTM B 488, TYPE II, CODE C, CLASS .76,
OVER NICKEL PER AMS-QQ-N-290, CLASS 1, .00005" MIN.

PERFORMANCE:

IMPEDANCE: 50 OHMS
FREQ. RANGE: DC TO 50.0 GHZ
VSWR: 1.35:1 DC TO 50.0 GHZ
INSERTION LOSS: .05 X \sqrt{F} (F IN GHZ)

MATERIAL: SEE NOTES	DIMENSIONS ARE IN INCHES TOLERANCES: FRACTIONAL: $\pm 1/64$ ANGULAR: X° $\pm 1'0''$ X°X' $\pm 15''$	UNLESS OTHERWISE SPECIFIED 1) ALL DIMENSIONS ARE IN INCHES (MILLIMETERS) 2) ALL DIMENSIONS ARE AFTER PLATING. 3) BREAK CORNERS & EDGES .005 R. MAX. 4) CHAM. 1ST & LAST THREADS. 5) SURFACE ROUGHNESS 63-MIL-STD-10. 6) DIA: 'S ON COMMON CENTERS TO BE CONCENTRIC WITHIN .005 T.I.R. 7) REMOVE ALL BURRS	 TITLE: 2.4mm STRAIGHT PLUG FOR Ø.085 CABLE
FINISH: SEE NOTES	DECIMAL: X $\pm .030$.XX $\pm .010$.XXX $\pm .005$	INTERPRET DIMENSIONS AND TOLERANCES PER ASME Y14.5M - 1994	
SURFACE AREA: N/A	THIRD ANGLE PROJECTION	DRAWN: FED 02/15/12	SIZE DWG. NO. SF1611-60003
PROPRIETARY THE INFORMATION CONTAINED IN THIS DRAWING IS THE SOLE PROPERTY OF SV MICROWAVE, INC. ANY REPRODUCTION IN PART OR AS A WHOLE WITHOUT THE WRITTEN PERMISSION OF SV MICROWAVE, INC IS PROHIBITED.		CHECKED: STW 07/28/15	SCALE: 8:1
		APPROVED: STW 07/28/15	SHEET 1 OF 1