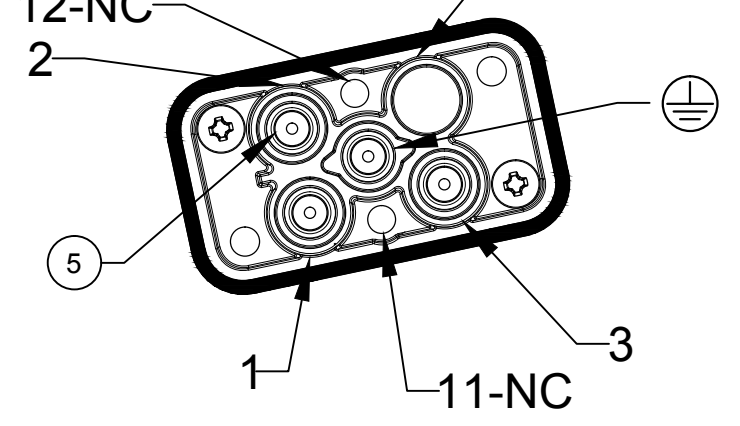
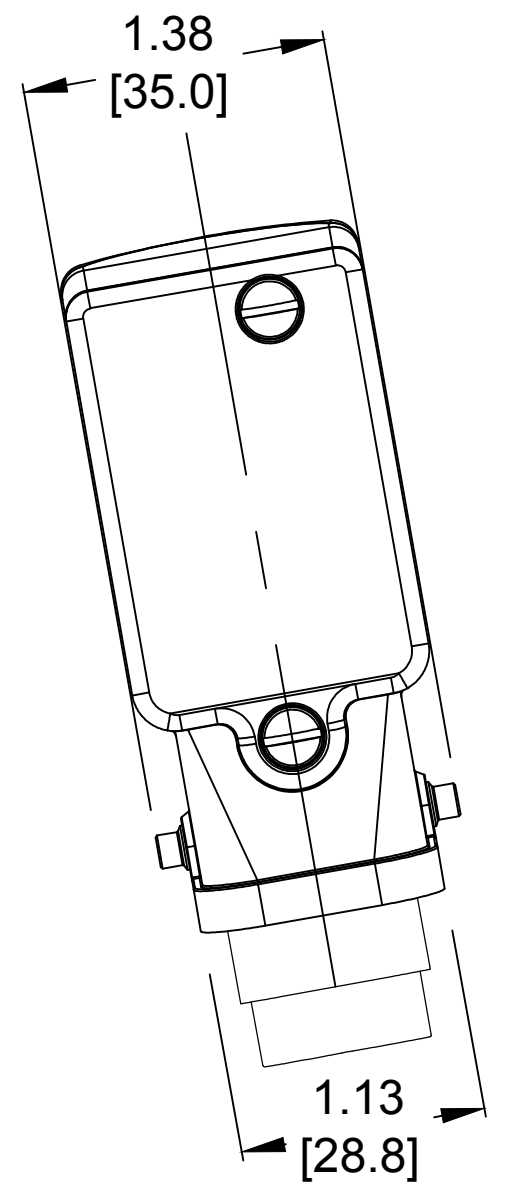
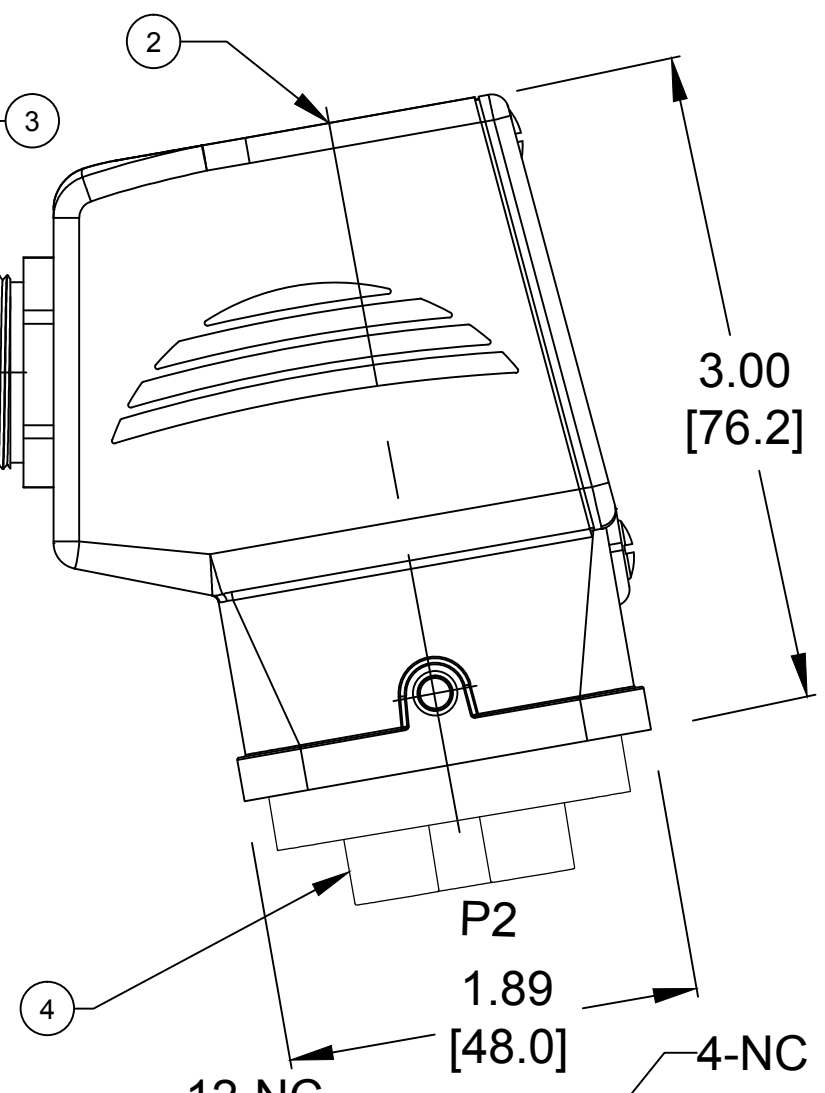


SECOND WARNING LABEL OMITTED WHEN LENGTH IS LESS THAN 0.5M.



MALE FACE VIEW

| S1 | P2 |
|----|----|
| 1 | 1 |
| 2 | 2 |
| 3 | 3 |
| 4 | 4 |
| 11 | 11 |
| 12 | 12 |

PART NUMBER KEY
93599-0046-M002

LENGTH
M002 = 8 INCHES
M005 = 0.5 METERS
M010 = 1.0 METERS
M100 = 10.0 METERS

ELECTRICAL RATING
VOLTAGE: 600 VAC
CURRENT: 32 A

ALL DIMENSIONS REFERENCE UNLESS OTHERWISE NOTED.

CABLE LENGTH TOLERANCES

| | |
|--------------------------|-------------------------|
| >.3M [1FT]: | +19mm-0 [+ .75in-0] |
| .3 - .9M [1 - 3FT]: | +44.5mm-0 [+2.19in-0] |
| .9 - 1.8M [3 - 6FT]: | +55.6mm-0 [+2.19in-0] |
| 1.8 - 3.7M [6 - 12FT]: | +88.9mm-0 [+3.50in-0] |
| 3.7 - 7.3M [12 - 24FT]: | +165.1mm-0 [+6.50in-0] |
| 7.3-14.6M [24 - 48FT]: | +317.5mm-0 [+12.50in-0] |
| 14.6 - 30.5M [48-100FT]: | +622.3mm-0 [+24.50in-0] |
| OVER 30M [100FT]: | +2% OF FINISHED LENGTH |

| ITEM | DESCRIPTION | MATERIAL | FINISH |
|------|----------------|----------------|------------------|
| 9 | WARNING LABEL | VINYL | BLACK/ORANGE |
| 8 | WRAP LABEL | VINYL | BLACK/YELLOW |
| 7 | CONTACT SOCKET | COPPER ALLOY | SILVER PLATED |
| 6 | INSERT, FEMALE | POLYCARBONATE | GREY |
| 5 | CONTACT PIN | COPPER ALLOY | SILVER PLATED |
| 4 | INSERT, MALE | POLYCARBONATE | GREY |
| 3 | CABLE GLAND | BRASS | NICKEL PLATED |
| 2 | HOOD | ALUMINUM ALLOY | GREY POWDER COAT |
| 1 | CABLE #10/4 | TPE JACKET | BLACK |

| | | |
|---|----------------|-----|
| RELEASE EC NO.: ICG2017-1082 DRWN: KCOX01 2017/05/30 CHKD: MZIELINS 2017/05/30 APPR: BWOODMAN2017/06/14 | QUALITY SYMBOL | ▼=0 |
| | | ∇=0 |
| | REV | 1 |
| | DESCRIPTION | |

| | GENERAL TOLERANCES (UNLESS SPECIFIED) | |
|--|---------------------------------------|------|
| | mm | INCH |
| 4 PLACES | ±--- | ±--- |
| 3 PLACES | ±--- | ±--- |
| 2 PLACES | ±--- | ±--- |
| 1 PLACE | ±--- | ±--- |
| ANGULAR ±--- | | ° |
| DRAFT WHERE APPLICABLE MUST REMAIN WITHIN DIMENSIONS | | |

| DIMENSION STYLE | |
|-----------------|------------|
| INCH/MM | |
| DRAWN BY | DATE |
| KCOX01 | 2017/05/30 |
| CHECKED BY | DATE |
| MZIELINS | 2017/05/30 |
| APPROVED BY | DATE |
| BWOODMAN | 2017/06/14 |
| MATERIAL NO. | |
| SEE CHART | |
| SIZE | |
| C | |

| SCALE | DESIGN UNITS | THIRD ANGLE PROJECTION | |
|---|--------------|------------------------|-----------|
| NTS | INCH | | |
| TITLE | | | |
| METAL HDC MALE-FEMALE S-QD 4/2 M/F 12:00 KEY #10 AWG TPE CABLE | | | |
| MOLEX INCORPORATED | | | |
| MATERIAL NO. | | DOCUMENT NO. | SHEET NO. |
| SEE CHART | | SD-93599-004 | 1 OF 1 |
| THIS DRAWING CONTAINS INFORMATION THAT IS PROPRIETARY TO MOLEX INCORPORATED AND SHOULD NOT BE USED WITHOUT WRITTEN PERMISSION | | | |