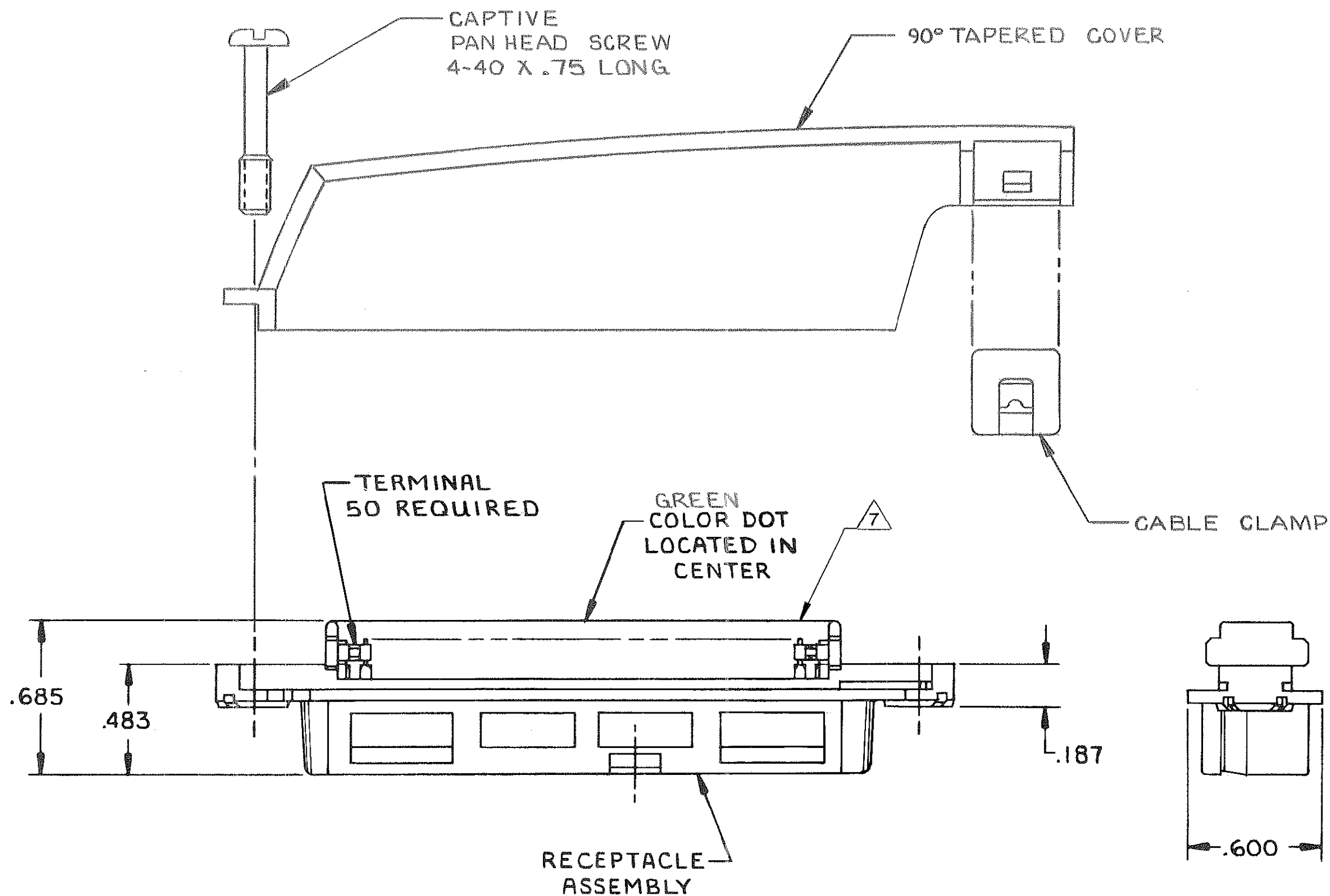
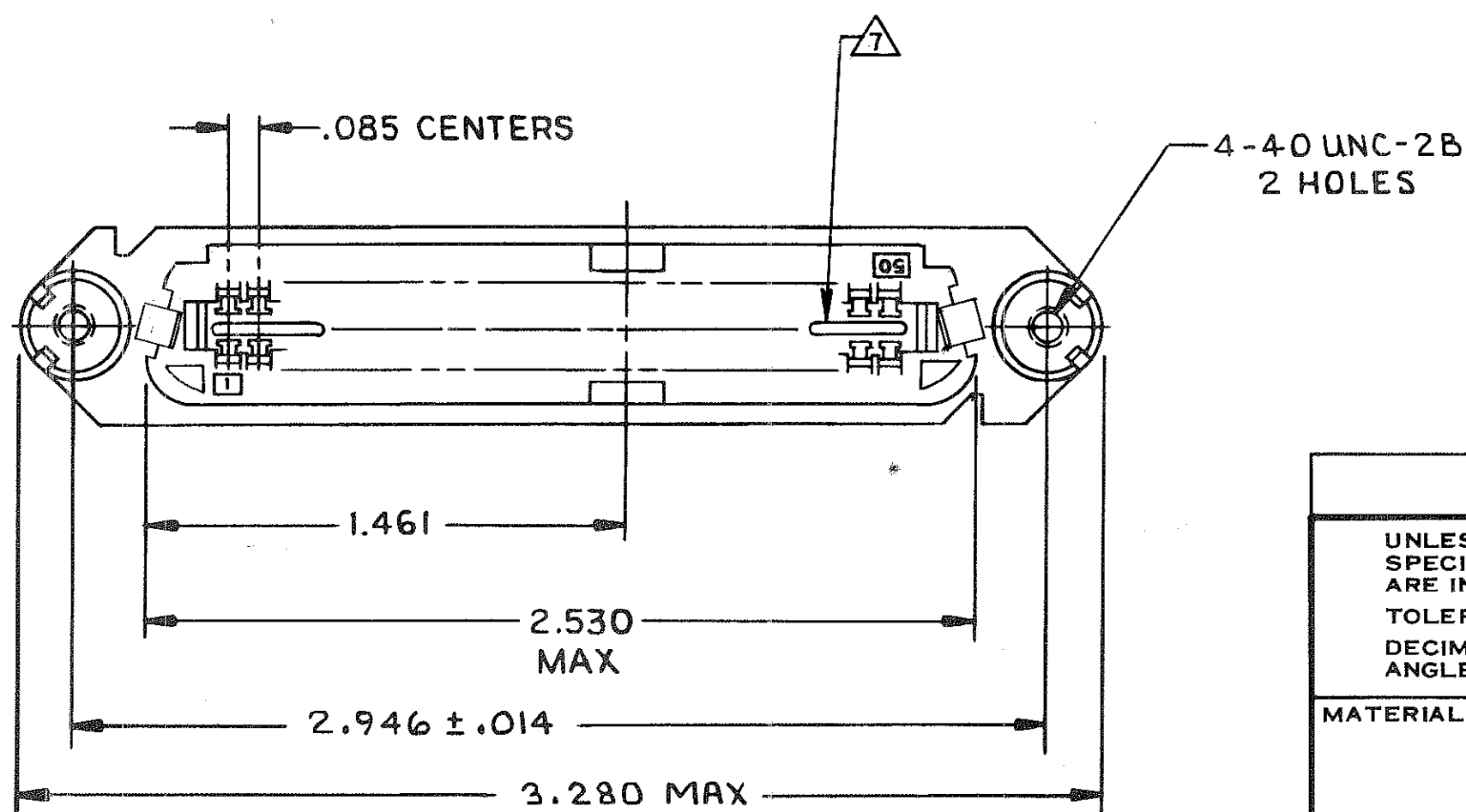


© COPYRIGHT 1973 BY AMP INCORPORATED, HARRISBURG, PA.
 ALL INTERNATIONAL RIGHTS RESERVED. AMP INCORPORATED PRODUCTS
 COVERED BY U. S. AND FOREIGN PATENTS AND/OR PATENTS PENDING.


REVISIONS						
P	F	ZONE	LTR	DESCRIPTION	DATE	APPROVED
N			N	OBSOLETE - 4 ; ECN AA-5904	11-30-89	LHS / TE
			P	REV; EC QUIC-0040-01	3-19-01	DD / EB



1. THE CONTACT SURFACES OF THE TERMINALS ARE COATED WITH LUBRICANT.
 2. ALL DIMENSIONS SHOWN ARE FOR REFERENCE ONLY UNLESS OTHERWISE SPECIFIED.
 3. MATERIAL: HOUSING, COVER AND CABLE CLAMP - THERMOPLASTIC
 TERMINALS - GOLD OVER NICKEL PLATED HIGH STRENGTH COPPER ALLOY.
 HARDWARE - ZINC PLATED STEEL.
 4. COVER AND HARDWARE SHIPPED UNASSEMBLED.
 5. WIRE SIZE: 22 AWG SOLID OR 22 AWG 7 STRANDS OF COPPER CONDUCTORS. MAX INSULATION DIAMETER OF .045 IS ACCEPTABLE FOR MOST APPLICATIONS.
 6. KIT SHIPPED IN POLY BAG FORM.
- ⚠ CORING MAY OR MAY NOT APPEAR AND IS AT THE DISCRETION OF AMP INCORPORATION.



.500-.550 DIA	BLACK	552383-1
CABLE RANGE	COLOR	PART NO

UNLESS OTHERWISE SPECIFIED DIMENSIONS ARE IN INCHES. TOLERANCES ON: DECIMALS ± # ANGLES ± #	CONTRACT NO	 AMP INCORPORATED Harrisburg, Pa.		
	DR <i>Stephen Doss</i>			5-4-81
	MATERIAL	APPD <i>5/10/81</i>	NAME KIT, RECEPTACLE, 50 POSITION, C SLOT (CHAMP-LOK, SCREW LOCK, TAPERED COVER)	
	FINISH	APPD <i>5/10/81</i>	SIZE CODE IDENT NO DRAWING NO C 00779 552383	
	DSGN APPD	SCALE 2/1	SHEET 1 OF 1	
	OTHER APPD			

552383