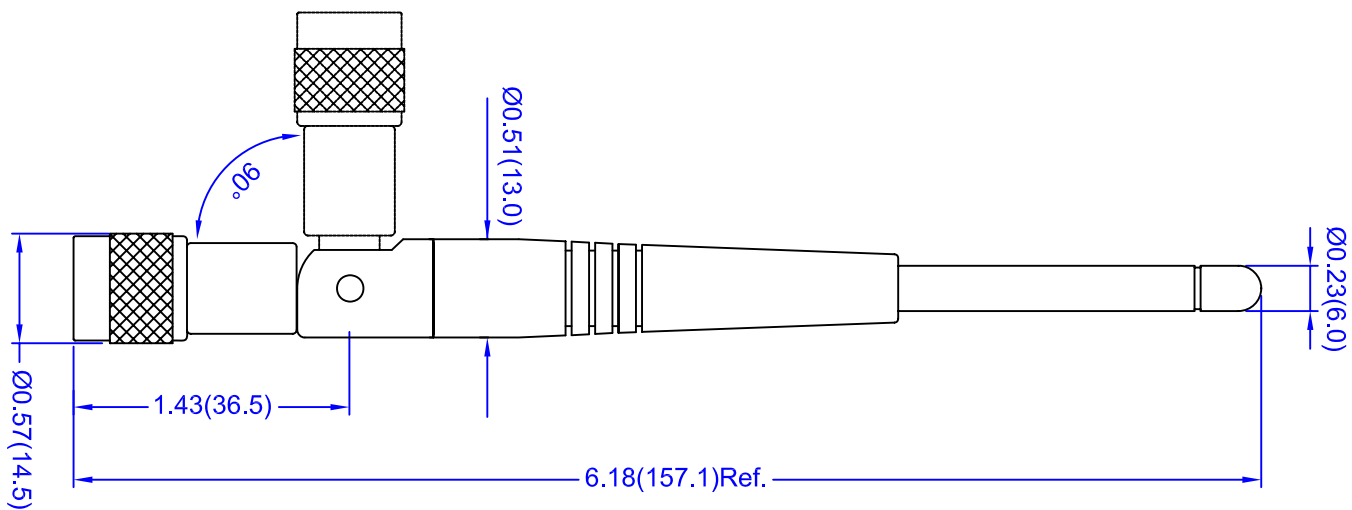


SMA type  
connector



TNC type  
connector

**Electrical Properties:**

Frequency Range: 2.4~2.5/4.9~5.35/5.725~5.85 GHz  
 Impedance: 50Ω nominal  
 VSWR: <2.0:1  
 Gain: 2 dBi @ 2.45GHz  
 2 dBi @ 5.25GHz  
 2 dBi @ 5.75GHz  
 Radiation: Omni  
 Polarization: Vertical

**Mechanical Properties:**

Material: Polycarbonate(Black)  
 Whip: Polycarbonate(Black)  
 Swivel Mechanism: Brass with black chrome plating  
 Connector: -20°C to +65°C  
 Operation Temp.: -30°C to +75°C  
 Storage Temp.:





This is a RoHS compliant product.

TITLE	Multi-Band Swivel Antenna		Rev. Date	SHEET
UNIT	-145 Model		03/29/06	1 of 2
SCALE	DWG. NO. T145XX-2.4/4.9/5.x-S			
SCALE	in.(mm)			
SCALE	none			
<b>NEARSON</b>				

## Series Part Numbers

Connector Code	Description	P / N
-XX-		
AM	SMA Plug	T145AM-2.4/4.9/5.x-S
AH	SMA Plug Reverse Polarity	T145AH-2.4/4.9/5.x-S
TC	TNC Plug	T145TC-2.4/4.9/5.x-S
TR	TNC Plug Reverse Polarity	T145TR-2.4/4.9/5.x-S

### Connector Interface

 SMA Plug (AM)	 TNC Plug (TC)
 SMA Plug Reverse Polarity (AH)	 TNC Plug Reverse Polarity (TR)

TITLE	Multi-Band Swivel Antenna		Rev. Date	SHEET
UNIT	DWG. NO.	T145XX-2.4/4.9/5.x-S	03/29/06	2 of 2
In.(mm)				
SCALE				
none				

# NEARSON