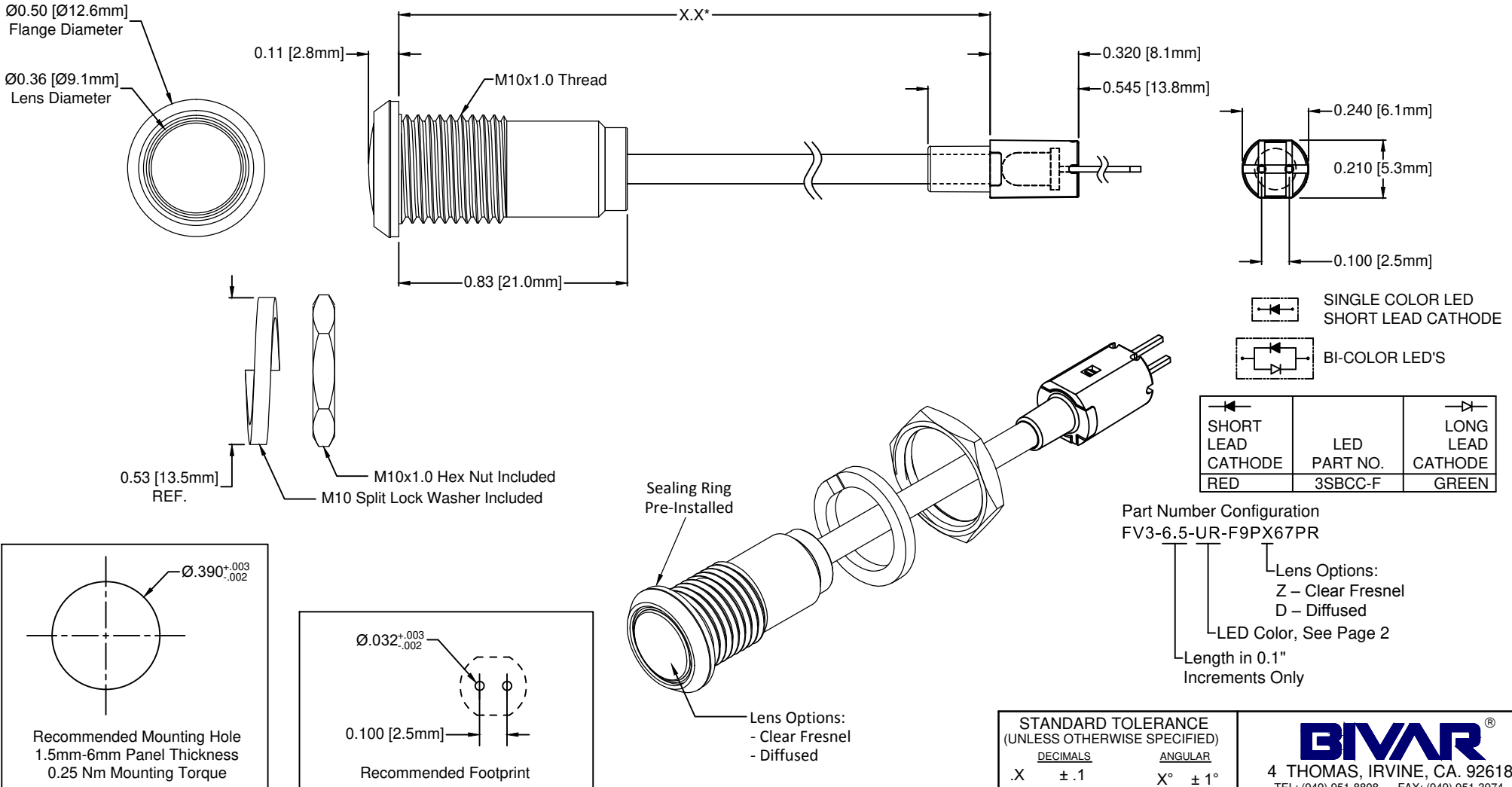


REV.	DESCRIPTION	DATE	APPROVED
A	Engineering Release	05/12/17	J. C.
B	Revised Table on Sheet 2	08/14/18	M. C.

*Length "X.X"	Tolerance
2.0" ~ 16.0"	±0.05"
16.1" ~ 40.0"	±0.15"
40.1" ~ 80.0"	±0.30"
80.1" ~ 500.0"	±0.5%



- NOTES:**
1. SEALED TO IP67 RATING
  2. ROHS COMPLIANT
  3. MOUNTING HARDWARE AND ADAPTER SHIPPED NON-ASSEMBLED
  4. MINIMUM BEND RADIUS OF FLEXIBLE LIGHT PIPE: 1.06" [27mm]

STANDARD TOLERANCE (UNLESS OTHERWISE SPECIFIED)		BIVAR®	
DECIMALS	ANGULAR	4 THOMAS, IRVINE, CA. 92618	
.X ± .1	X° ± 1°	TEL: (949) 951-8808 FAX: (949) 951-3974	
.XX ± .02		TITLE: IP67 RATED PANEL MOUNT FLP INDICATOR, VERTICAL	
.XXX ± .010		PART NO: FV3-X.X-XXX-F9PX67PR	
DESIGNED: TD. NGUYEN	DATE: 04/30/17	REVISION: B	
REVISOR: TD. NGUYEN	DATE: 08/14/18	CAGE CODE: 32559	
CHECKED: D. GILBREATH	DATE: 08/14/18	SCALE: NONE	SHEET # 1 OF 2
CAD GENERATED DOCUMENT, DO NOT MEASURE DRAWING			

REV.	DESCRIPTION	DATE	APPROVED
	SEE SHEET #1		

FLEXIBLE LP ASSY Part No.	LED Part No.	Peak Wavelength	Emitted Color	Optical Data @ 20mA		
				Vf (V)		LED Iv (mcd)
		$\lambda_p$ (nm)		TYP	MAX	TYP
<b>SINGLE COLOR LED ASSEMBLIES (20mA)</b>						
FV3-X.X-UB-F9PX67PR	3UBWC-0.6K-F	470	BLUE	4.0	4.5	400
FV3-X.X-UG-F9PX67PR	3UGC-F	570	GREEN	2.1	2.4	200
FV3-X.X-UY-F9PX67PR	3UYC-F	590	YELLOW	2.0	2.4	300
FV3-X.X-UR-F9PX67PR	3URC-F	645	RED	1.7	2.4	200
<b>BI-COLOR LED ASSEMBLIES (20mA)</b>						
FV3-X.X-SRG-F9PX67PR	3SBCC-F	645	RED	1.7	2.4	100
		568	GREEN	2.1	2.8	60

VISIT [WWW.BIVAR.COM](http://WWW.BIVAR.COM) FOR CURRENT LED DATASHEETS  
LED DETAILS ON DATASHEETS TAKE PRECEDENCE OVER DETAILS SHOWN HERE

## ABSOLUTE MAXIMUM RATINGS (Ta=25°C)

REVERSE VOLTAGE \_\_\_\_\_ 5V  
 REVERSE CURRENT \_\_\_\_\_ 100 $\mu$ A  
 OPERATING TEMPERATURE RANGE \_\_\_\_\_ -25°C ~ +85°C  
 STORAGE TEMPERATURE \_\_\_\_\_ -30°C ~ +100°C  
 LEAD SOLDERING TEMPERATURE(1/16" FROM BODY) \_\_\_\_\_ 260°C FOR 5 SECONDS

<b>BIVAR</b> <sup>®</sup>	
<b>PART NO:</b> FV3-X.X-XXX-F9PX67PR	<b>REVISION:</b> B
SCALE: NONE	<b>SHEET # 2 OF 2</b>
CAD GENERATED DOCUMENT, DO NOT MEASURE DRAWING	