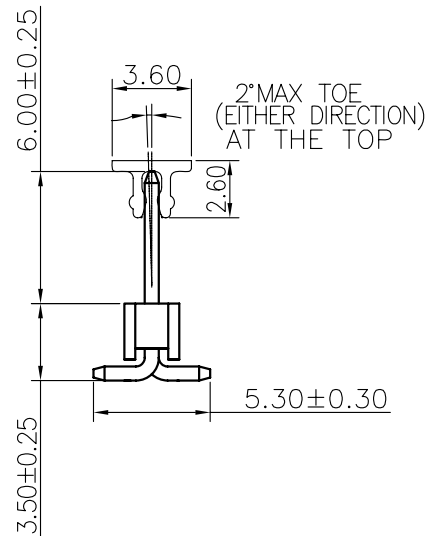
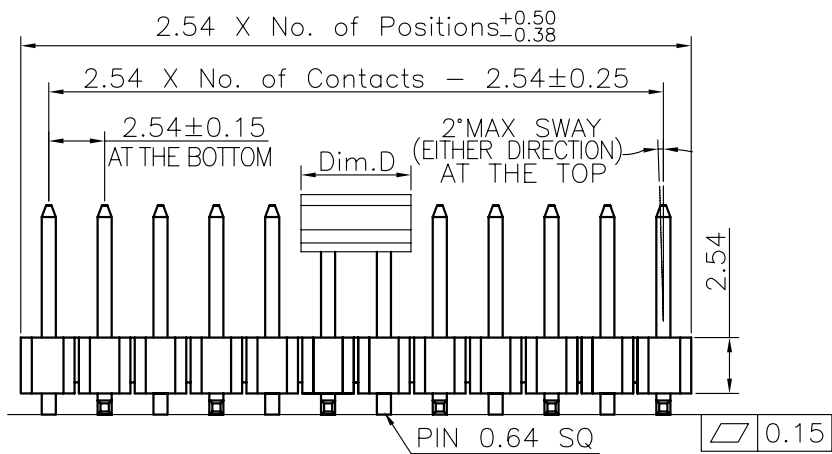
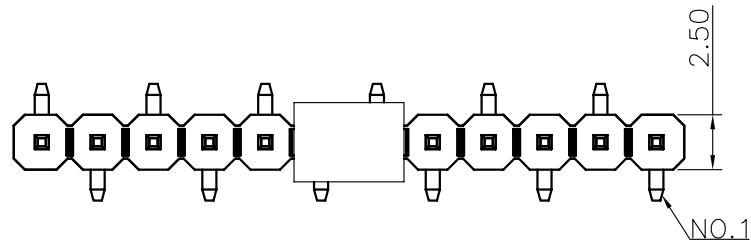


REV.	LOCAS.	DESCRIPTION	DATE	DRAWN
01	NEW	BATCH PRODUCTION INITIAL RELEASE.	2013.04.23	李芳忠
02	△	依業務要求增加白色塑膠料號	2016.12.16	馮國東



Specifications
 Current Rating: 3Amp
 Insulation Resistance: 1000MΩMin.
 Dielectric Withstanding Voltage: 600VAC
 Contact Resistance: 20mΩMax.
 Operating Temperature: -40°C to +105°C
 Materials
 Contact Material: Brass
 Insulator Material: High Temperature Thermoplastic, UL 94V-0 Nylon 6T (Halogen Free) or the equivalent material
 All materials must meet GREENCONN hazardous substances control standards.

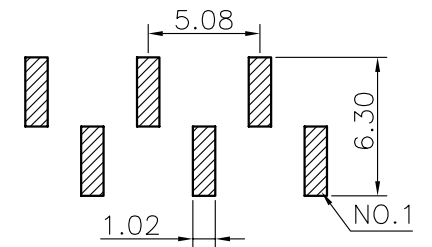
Ordering Information

G PHC101 - XX XX A 001 R X B X

No. of Pins per Row 02~40
 Standard Plating 02=Gold Flash Selective Plating 01=Tin 05=Gold Flash/Tin
 Color 1=Black △ 2=White
 Standard Packing C=Tube(04~40pin) Selective Packing E=Cap+Tube(03~40pin) D=Tape&Reel F=Cap+Tape&Reel

Dim.D	NOTE
5.00mm	02Pins
6.50mm	03~40Pins

Recommended P.C.Board Layout
 (Tolerance: ±0.05)



格稜股份有限公司
Greenconn Corporation

GENERAL TOLERANCE	
X.*±5.0°	X.±0.30
.X*±3.0°	.X±0.25
.XX*±2.0°	.XX±0.15
.XXX*±1.0°	.XXX±0.10

DESIGNED: 馮國東	DATE: 2016.12.16
CHECKED: 曹 熙	DATE: 2016.12.16
CO SIGNED: 劉北平	DATE: 2016.12.16
APPROVED: 李 輝	DATE: 2016.12.16

DWG. NO.	GPHC101-CA1RB
PART NO.	GPHC101-XXXX A001RXBX

TITLE.
 2.54 PIN HEADER
 SINGLE ROW SMT TYPE
 CONNECTOR

REV.	UNIT.	SCALE.	PAGE.
02	mm	3:1	1/1