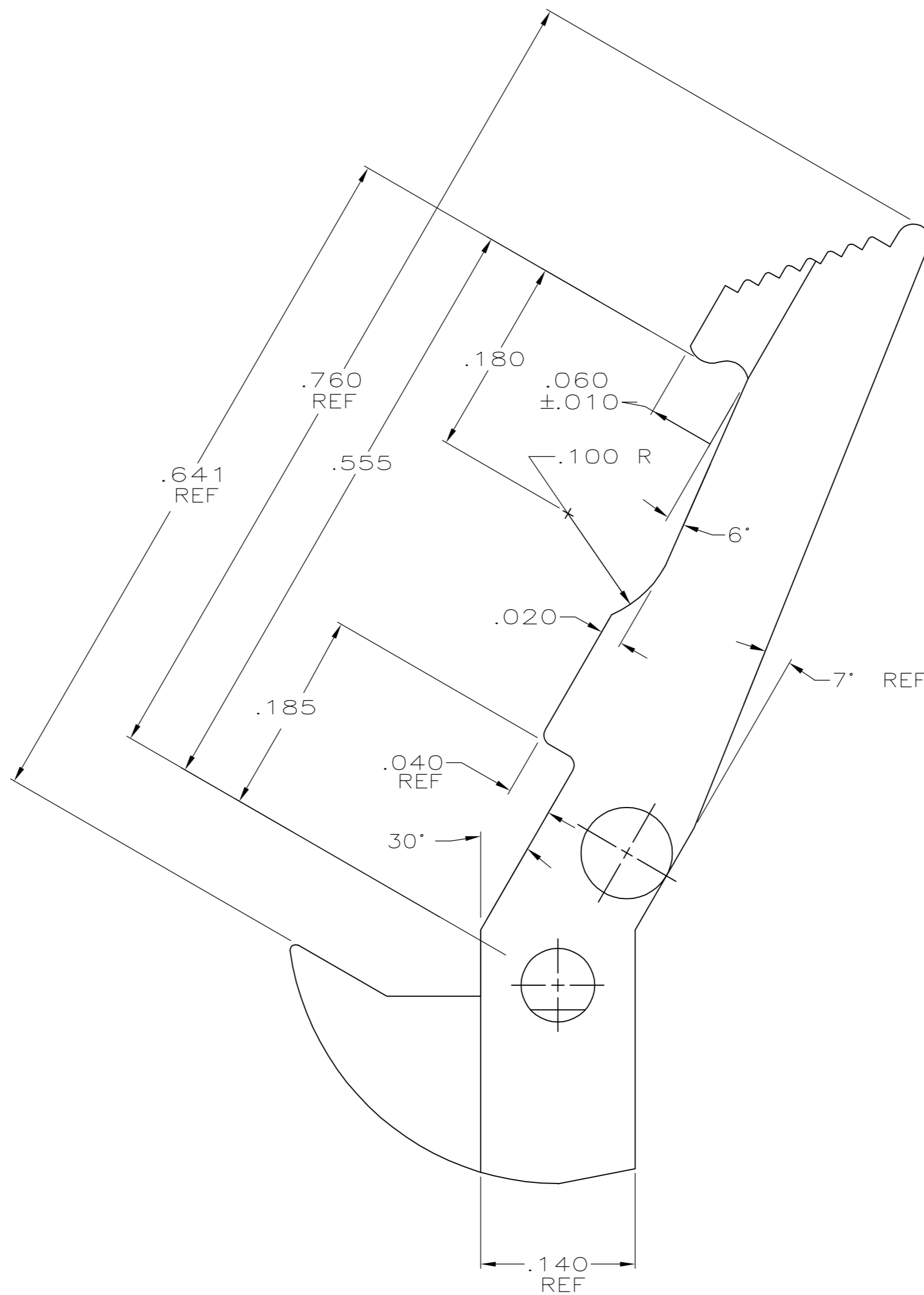
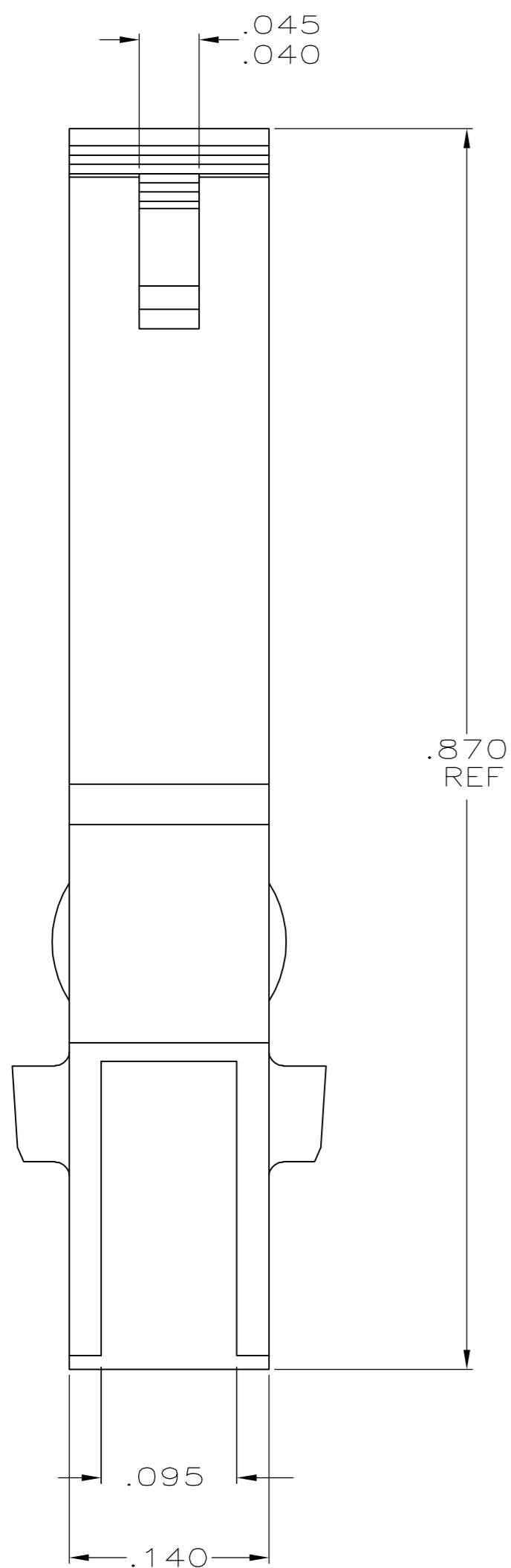


THIS DRAWING IS UNPUBLISHED. RELEASED FOR PUBLICATION  
 © COPYRIGHT BY TYCO ELECTRONICS CORPORATION. ALL RIGHTS RESERVED.

LOC	DIST	REVISIONS					
GP	00	P	LTR	DESCRIPTION	DATE	DWN	APVD
		E		REVISED PER ECO-06-012854	09SEP06	JDP	SLB

1 FLAME RETARDANT, THERMOPLASTIC, COLOR: BLACK.



499287-1  
PART NUMBER

THIS DRAWING IS A CONTROLLED DOCUMENT.		DWN K.L.CLOUSER/UTA	07/25/90		<b>tyco</b> Electronics		Tyco Electronics Corporation Harrisburg, PA 17105-3608	
DIMENSIONS: INCHES		CHK -	APVD -		NAME		LATCH, CONNECTOR, TC2 OR RIBBON COAX	
TOLERANCES UNLESS OTHERWISE SPECIFIED:		PRODUCT SPEC -		APPLICATION SPEC -		RESTRICTED TO -		
MATERIAL		WEIGHT -		SCALE A2 00779 C=499287		SHEET 1 of 1		
FINISH -		CUSTOMER DRAWING		SCALE 10:1		REV E		