

**Not Recommend for New Designs**

**DATA SHEET**

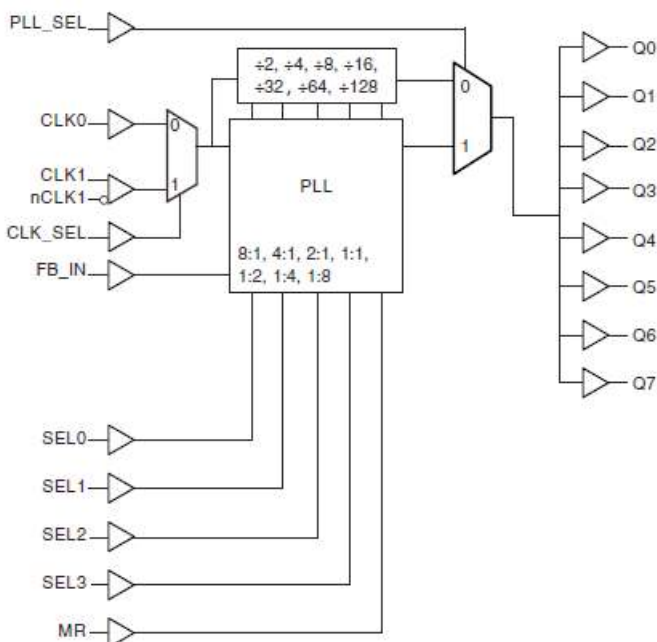
## GENERAL DESCRIPTION

The 8705I is a highly versatile 1:8 Differential-to-LVCMOS/LVTTTL Clock Generator. The 8705I has two selectable clock inputs. The CLK1, nCLK1 pair can accept most standard differential input levels. The single ended CLK0 input accepts LVCMOS or LVTTTL input levels. The 8705I has a fully integrated PLL and can be configured as zero delay buffer, multiplier or divider and has an input and output frequency range of 15.625MHz to 250MHz. The reference divider, feedback divider and output divider are each programmable, thereby allowing for the following output-to-input frequency ratios: 8:1, 4:1, 2:1, 1:1, 1:2, 1:4, 1:8. The external feedback allows the device to achieve “zero delay” between the input clock and the output clocks. The PLL\_SEL pin can be used to bypass the PLL for system test and debug purposes. In bypass mode, the reference clock is routed around the PLL and into the internal output dividers.

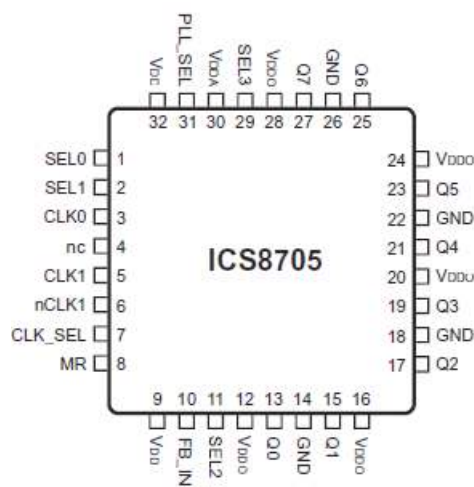
## FEATURES

- Eight LVCMOS/LVTTTL outputs, 7Ω typical output impedance
- Selectable CLK1, nCLK1 or LVCMOS/LVTTTL clock inputs
- CLK1, nCLK1 pair can accept the following differential input levels: LVPECL, LVDS, LVHSTL, HCSL, SSTL
- CLK0 input accepts LVCMOS or LVTTTL input levels
- Output frequency range: 15.625MHz to 250MHz
- Input frequency range: 15.625MHz to 250MHz
- VCO range: 250MHz to 500MHz
- External feedback for “zero delay” clock regeneration with configurable frequencies
- Programmable dividers allow for the following output-to-input frequency ratios: 8:1, 4:1, 2:1, 1:1, 1:2, 1:4, 1:8
- Fully integrated PLL
- Cycle-to-cycle jitter: 45ps (maximum)
- Output skew: CLK0, 65ps (maximum)  
CLK1, nCLK1, 55ps (maximum)
- Static Phase Offset: 25 ±125ps (maximum), CLK0
- Full 3.3V or 2.5V operating supply
- Lead-Free package available
- -40°C to 85°C ambient operating temperature
- **Not Recommended for New Designs**  
For new designs, contact IDT.

## BLOCK DIAGRAM



## PIN ASSIGNMENT



**32-Lead LQFP**

7mm x 7mm x 1.4 mm  
**Y Package**  
Top View

**TABLE 1. PIN DESCRIPTIONS**

Number	Name	Type		Description
1, 2	SEL0, SEL1	Input	Pulldown	Determines output divider values in Table 3. LVCMOS/LVTTL interface levels.
3	CLK0	Input	Pulldown	Clock input. LVCMOS/LVTTL interface levels.
4	nc			No connect.
5	CLK1	Input	Pulldown	Non-inverting differential clock input.
6	nCLK1	Input	Pullup	Inverting differential clock input.
7	CLK_SEL	Input	Pulldown	Clock select input. When HIGH, selects differential CLK1, nCLK1. When LOW, selects LVCMOS CLK0. LVCMOS/LVTTL interface levels.
8	MR	Input	Pulldown	Active HIGH Master Reset. When logic HIGH, the internal dividers are reset causing the outputs to go low. When logic LOW, the internal dividers and the outputs are enabled. LVCMOS/LVTTL interface levels
9, 32	V <sub>DD</sub>	Power		Core supply pins.
10	FB_IN	Input	Pulldown	LVCMOS/LVTTL feedback input to phase detector for regenerating clocks with “zero delay”. Connect to one of the outputs. LVCMOS/LVTTL interface levels.
11	SEL2	Input	Pulldown	Determines output divider values in Table 3. LVCMOS/LVTTL interface levels.
12, 16, 20, 24, 28	V <sub>DDO</sub>	Power		Output supply pins.
13, 15, 17, 19, 21, 23, 25, 27	Q0, Q1, Q2, Q3, Q4, Q5, Q6, Q7	Output		Clock output. 7Ω typical output impedance. LVCMOS/LVTTL interface levels.
14, 18, 22, 26	GND	Power		Power supply ground.
29	SEL3	Input	Pulldown	Determines output divider values in Table 3. LVCMOS/LVTTL interface levels.
30	V <sub>DDA</sub>	Power		Analog supply pin.
31	PLL_SEL	Input	Pullup	Selects between the PLL and reference clock as input to the dividers. When LOW, selects the reference clock (PLL Bypass). When HIGH, selects PLL (PLL Enabled). LVCMOS/LVTTL interface levels.

NOTE: *Pullup* and *Pulldown* refer to internal input resistors. See Table 2, Pin Characteristics, for typical values.

**TABLE 2. PIN CHARACTERISTICS**

Symbol	Parameter	Test Conditions	Minimum	Typical	Maximum	Units
C <sub>IN</sub>	Input Capacitance			4		pF
R <sub>PULLUP</sub>	Input Pullup Resistor			51		KΩ
R <sub>PULLDOWN</sub>	Input Pulldown Resistor			51		KΩ
C <sub>PD</sub>	Power Dissipation Capacitance (per output)	V <sub>DD</sub> , V <sub>DDA</sub> , V <sub>DDO</sub> = 3.465V		23		pF
R <sub>OUT</sub>	Output Impedance		5	7	12	Ω

**TABLE 3A. PLL ENABLE FUNCTION TABLE**

Inputs					Outputs PLL_SEL = 1 PLL Enable Mode
SEL3	SEL2	SEL1	SEL0	Reference Frequency Range (MHz)	Q0:Q7
0	0	0	0	125 - 250	÷ 1
0	0	0	1	62.5 - 125	÷ 1
0	0	1	0	31.25 - 62.5	÷ 1
0	0	1	1	15.625 - 31.25	÷ 1
0	1	0	0	125 - 250	÷ 2
0	1	0	1	62.5 - 125	÷ 2
0	1	1	0	31.25 - 62.5	÷ 2
0	1	1	1	125 - 250	÷ 4
1	0	0	0	62.5 - 125	÷ 4
1	0	0	1	125 - 250	÷ 8
1	0	1	0	62.5 - 125	x 2
1	0	1	1	31.25 - 62.5	x 2
1	1	0	0	15.625 - 31.25	x 2
1	1	0	1	31.25 - 62.5	x 4
1	1	1	0	15.625 - 31.25	x 4
1	1	1	1	15.625 - 31.25	x 8

**TABLE 3B. PLL BYPASS FUNCTION TABLE**

Inputs				Outputs PLL_SEL = 0 PLL Bypass Mode
SEL3	SEL2	SEL1	SEL0	Q0:Q7
0	0	0	0	÷ 8
0	0	0	1	÷ 8
0	0	1	0	÷ 8
0	0	1	1	÷ 16
0	1	0	0	÷ 16
0	1	0	1	÷ 16
0	1	1	0	÷ 32
0	1	1	1	÷ 32
1	0	0	0	÷ 64
1	0	0	1	÷ 128
1	0	1	0	÷ 4
1	0	1	1	÷ 4
1	1	0	0	÷ 8
1	1	0	1	÷ 2
1	1	1	0	÷ 4
1	1	1	1	÷ 2

### ABSOLUTE MAXIMUM RATINGS

Supply Voltage, $V_{DD}$	4.6V
Inputs, $V_I$	-0.5V to $V_{DD} + 0.5V$
Outputs, $V_O$	-0.5V to $V_{DDO} + 0.5V$
Package Thermal Impedance, $\theta_{JA}$	47.9°C/W (0 lfpm)
Storage Temperature, $T_{STG}$	-65°C to 150°C

NOTE: Stresses beyond those listed under Absolute Maximum Ratings may cause permanent damage to the device. These ratings are stress specifications only. Functional operation of product at these conditions or any conditions beyond those listed in the *DC Characteristics* or *AC Characteristics* is not implied. Exposure to absolute maximum rating conditions for extended periods may affect product reliability.

**TABLE 4A. POWER SUPPLY DC CHARACTERISTICS,  $V_{DD} = V_{DDA} = V_{DDO} = 3.3V \pm 5\%$ ,  $T_A = -40^\circ\text{C}$  TO  $85^\circ\text{C}$**

Symbol	Parameter	Test Conditions	Minimum	Typical	Maximum	Units
$V_{DD}$	Core Supply Voltage		3.135	3.3	3.465	V
$V_{DDA}$	Analog Supply Voltage		3.135	3.3	3.465	V
$V_{DDO}$	Output Supply Voltage		3.135	3.3	3.465	V
$I_{DD}$	Power Supply Current				90	mA
$I_{DDA}$	Analog Supply Current				15	mA
$I_{DDO}$	Output Supply Current				20	mA

**TABLE 4B. LVCMOS / LVTTTL DC CHARACTERISTICS,  $V_{DD} = V_{DDA} = V_{DDO} = 3.3V \pm 5\%$ ,  $T_A = -40^\circ\text{C}$  TO  $85^\circ\text{C}$**

Symbol	Parameter	Test Conditions	Minimum	Typical	Maximum	Units
$V_{IH}$	Input High Voltage	PLL_SEL, CLK_SEL, SEL0, SEL1, SEL2, SEL3, FB_IN, MR	2		$V_{DD} + 0.3$	V
		CLK0	2		$V_{DD} + 0.3$	V
$V_{IL}$	Input Low Voltage	PLL_SEL, CLK_SEL, SEL0, SEL1, SEL2, SEL3, FB_IN, MR	-0.3		0.8	V
		CLK0	-0.3		1.3	V
$I_{IH}$	Input High Current	CLK0, CLK_SEL, MR, FB_IN, SEL0, SEL1, SEL2, SEL3	$V_{DD} = V_{IN} = 3.465V$		150	$\mu\text{A}$
		PLL_SEL	$V_{DD} = V_{IN} = 3.465V$		5	$\mu\text{A}$
$I_{IL}$	Input Low Current	CLK0, CLK_SEL, MR, FB_IN, SEL0, SEL1, SEL2, SEL3	$V_{DD} = 3.465V, V_{IN} = 0V$	-5		$\mu\text{A}$
		PLL_SEL	$V_{DD} = 3.465V, V_{IN} = 0V$	-150		$\mu\text{A}$
$V_{OH}$	Output High Voltage; NOTE 1		2.6			V
$V_{OL}$	Output Low Voltage; NOTE 1				0.5	V

NOTE 1: Outputs terminated with  $50\Omega$  to  $V_{DDO}/2$ . In the Parameter Measurement Information section, see "3.3V Output Load Test Circuit" figure.

**TABLE 4C. DIFFERENTIAL DC CHARACTERISTICS,  $V_{DD} = V_{DDA} = V_{DDO} = 3.3V \pm 5\%$ ,  $T_A = -40^\circ\text{C}$  TO  $85^\circ\text{C}$** 

Symbol	Parameter	Test Conditions	Minimum	Typical	Maximum	Units
$I_{IH}$	Input High Current	CLK1	$V_{DD} = V_{IN} = 3.465V$		150	$\mu\text{A}$
		nCLK1	$V_{DD} = V_{IN} = 3.465V$		5	$\mu\text{A}$
$I_{IL}$	Input Low Current	CLK1	$V_{DD} = 3.465V, V_{IN} = 0V$	-5		$\mu\text{A}$
		nCLK1	$V_{DD} = 3.465V, V_{IN} = 0V$	-150		$\mu\text{A}$
$V_{PP}$	Peak-to-Peak Input Voltage		0.15		1.3	V
$V_{CMR}$	Common Mode Input Voltage; NOTE 1, 2		GND + 0.5		$V_{DD} - 0.85$	V

NOTE 1: Common mode voltage is defined as  $V_{IH}$ .

NOTE 2: For single ended applications, the maximum input voltage for CLK1, nCLK1 is  $V_{DD} + 0.3V$ .

**TABLE 5A. AC CHARACTERISTICS,  $V_{DD} = V_{DDA} = V_{DDO} = 3.3V \pm 5\%$ ,  $T_A = -40^\circ\text{C}$  TO  $85^\circ\text{C}$** 

Symbol	Parameter	Test Conditions	Minimum	Typical	Maximum	Units	
$f_{MAX}$	Output Frequency		15.625		250	MHz	
$t_{pLH}$	Propagation Delay, Low-to-High; NOTE 1	CLK0	PLL_SEL = 0V, $f \leq 250\text{MHz}, Qx \div 2$	5		7	ns
		CLK1, nCLK1	PLL_SEL = 0V, $f \leq 250\text{MHz}, Qx \div 2$	5		7.3	ns
$t(\theta)$	Static Phase Offset; NOTE 2, 4	CLK0	PLL_SEL = 3.3V, $f_{REF} \leq 200\text{MHz}, Qx \div 1$	-100	25	150	ps
		CLK1, nCLK1	PLL_SEL = 3.3V, $f_{REF} \leq 167\text{MHz}, Qx \div 1$	-15	+135	285	ps
			PLL_SEL = 3.3V, $f_{REF} = 200\text{MHz}, Qx \div 1$	-50	+100	250	ps
$t_{sk(o)}$	Output Skew; NOTE 3, 4	CLK0	PLL_SEL = 0V			65	ps
		CLK1, nCLK1	PLL_SEL = 0V			55	ps
$t_{jit(cc)}$	Cycle-to-Cycle Jitter; NOTE 4	$f_{OUT} > 40\text{MHz}$			45	ps	
$t_L$	PLL Lock Time				1	mS	
$t_R$	Output Rise Time		400		950	ps	
$t_F$	Output Fall Time		400		950	ps	
odc	Output Duty Cycle		43		57	%	

All parameters measured at  $f_{MAX}$  unless noted otherwise.

NOTE 1: Measured from the differential input crossing point to the output at  $V_{DDO}/2$ .

NOTE 2: Defined as the time difference between the input reference clock and the average feedback input signal when the PLL is locked and the input reference frequency is stable.

NOTE 3: Defined as skew between outputs at the same supply voltages and with equal load conditions. Measured at  $V_{DDO}/2$ .

NOTE 4: This parameter is defined in accordance with JEDEC Standard 65.

**TABLE 4D. POWER SUPPLY DC CHARACTERISTICS,  $V_{DD} = V_{DDA} = V_{DDO} = 2.5V \pm 5\%$ ,  $T_A = -40^\circ\text{C}$  TO  $85^\circ\text{C}$** 

Symbol	Parameter	Test Conditions	Minimum	Typical	Maximum	Units
$V_{DD}$	Core Supply Voltage		2.375	2.5	2.625	V
$V_{DDA}$	Analog Supply Voltage		2.375	2.5	2.625	V
$V_{DDO}$	Output Supply Voltage		2.375	2.5	2.625	V
$I_{DD}$	Power Supply Current				90	mA
$I_{DDA}$	Analog Supply Current				15	mA
$I_{DDO}$	Output Supply Current				20	mA

**TABLE 4E. LVCMOS / LVTTTL DC CHARACTERISTICS,  $V_{DD} = V_{DDA} = V_{DDO} = 2.5V \pm 5\%$ ,  $T_A = -40^\circ\text{C}$  TO  $85^\circ\text{C}$** 

Symbol	Parameter	Test Conditions	Minimum	Typical	Maximum	Units
$V_{IH}$	Input High Voltage	PLL_SEL, CLK_SEL, SEL0, SEL1, SEL2, SEL3, FB_IN, MR	2		$V_{DD} + 0.3$	V
		CLK0	2		$V_{DD} + 0.3$	V
$V_{IL}$	Input Low Voltage	PLL_SEL, CLK_SEL, SEL0, SEL1, SEL2, SEL3, FB_IN, MR	-0.3		0.8	V
		CLK0	-0.3		1.3	V
$I_{IH}$	Input High Current	CLK0, CLK_SEL, MR, FB_IN, SEL0, SEL1, SEL2, SEL3	$V_{DD} = V_{IN} = 2.625V$		150	$\mu\text{A}$
		PLL_SEL	$V_{DD} = V_{IN} = 2.625V$		5	$\mu\text{A}$
$I_{IL}$	Input Low Current	CLK0, CLK_SEL, MR, FB_IN, SEL0, SEL1, SEL2, SEL3	$V_{DD} = 2.625V, V_{IN} = 0V$	-5		$\mu\text{A}$
		PLL_SEL	$V_{DD} = 2.625V, V_{IN} = 0V$	-150		$\mu\text{A}$
$V_{OH}$	Output High Voltage; NOTE 1		1.8			V
$V_{OL}$	Output Low Voltage; NOTE 1				0.5	V

NOTE 1: Outputs terminated with  $50\Omega$  to  $V_{DDO}/2$ . In the Parameter Measurement Information section, see "2.5V Output Load Test Circuit" figure.

**TABLE 4F. DIFFERENTIAL DC CHARACTERISTICS,  $V_{DD} = V_{DDA} = V_{DDO} = 2.5V \pm 5\%$ ,  $T_A = -40^\circ\text{C}$  TO  $85^\circ\text{C}$** 

Symbol	Parameter	Test Conditions	Minimum	Typical	Maximum	Units
$I_{IH}$	Input High Current	CLK1	$V_{DD} = V_{IN} = 2.625V$		150	$\mu\text{A}$
		nCLK1	$V_{DD} = V_{IN} = 2.625V$		5	$\mu\text{A}$
$I_{IL}$	Input Low Current	CLK1	$V_{DD} = 2.625V, V_{IN} = 0V$	-5		$\mu\text{A}$
		nCLK1	$V_{DD} = 2.625V, V_{IN} = 0V$	-150		$\mu\text{A}$
$V_{PP}$	Peak-to-Peak Input Voltage		0.15		1.3	V
$V_{CMR}$	Common Mode Input Voltage; NOTE 1, 2		GND + 0.5		$V_{DD} - 0.85$	V

NOTE 1: Common mode voltage is defined as  $V_{IH}$ .

NOTE 2: For single ended applications, the maximum input voltage for CLK1, nCLK1 is  $V_{DD} + 0.3V$ .

**TABLE 5B. AC CHARACTERISTICS,  $V_{DD} = V_{DDA} = V_{DDO} = 2.5V \pm 5\%$ ,  $T_A = -40^\circ\text{C}$  TO  $85^\circ\text{C}$** 

Symbol	Parameter	Test Conditions	Minimum	Typical	Maximum	Units	
$f_{MAX}$	Output Frequency		15.625		250	MHz	
$t_{pLH}$	Propagation Delay, Low-to-High; NOTE 1	CLK0	PLL_SEL = 0V, $f \leq 250\text{MHz}$ , $Q_x \div 2$	5		7	ns
		CLK1, nCLK1	PLL_SEL = 0V, $f \leq 250\text{MHz}$ , $Q_x \div 2$	5		7.3	ns
$t(\emptyset)$	Static Phase Offset; NOTE 2, 4	CLK0	PLL_SEL = 2.5V, $f_{REF} \leq 200\text{MHz}$ , $Q_x \div 1$	-250	25	200	ps
		CLK1, nCLK1	PLL_SEL = 2.5V, $f_{REF} = 133\text{MHz}$ , $Q_x \div 1$	-50	100	250	ps
			PLL_SEL = 2.5V, $f_{REF} = 200\text{MHz}$ , $Q_x \div 1$	-100	+100	300	ps
$t_{sk(o)}$	Output Skew; NOTE 3, 4	CLK0	PLL_SEL = 0V			65	ps
		CLK1, nCLK1	PLL_SEL = 0V			55	ps
$t_{jit(cc)}$	Cycle-to-Cycle Jitter; NOTE 4	$f_{OUT} > 40\text{MHz}$			45	ps	
$t_{jit(q)}$	Phase Jitter; NOTE 4, 5	PLL_SEL = 2.5V, $f_{REF} = 66\text{MHz}$ , $Q_x * 2$			$\pm 50$	ps	
$t_L$	PLL Lock Time				1	mS	
$t_R$	Output Rise Time		400		950	ps	
$t_F$	Output Fall Time		400		950	ps	
odc	Output Duty Cycle		43		57	%	

All parameters measured at  $f_{MAX}$  unless noted otherwise.

NOTE 1: Measured from the differential input crossing point to the output at  $V_{DDO}/2$ .

NOTE 2: Defined as the time difference between the input reference clock and the average feedback input signal when the PLL is locked and the input reference frequency is stable.

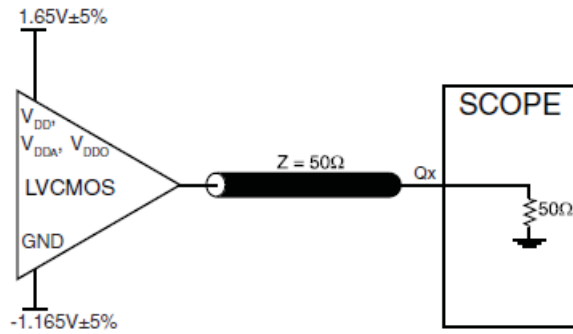
NOTE 3: Defined as skew between outputs at the same supply voltages and with equal load conditions.

Measured at  $V_{DDO}/2$ .

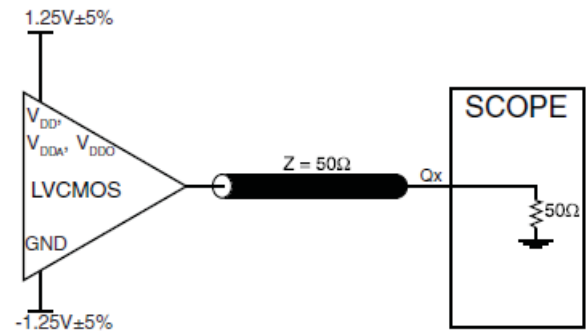
NOTE 4: This parameter is defined in accordance with JEDEC Standard 65.

NOTE 5: Phase jitter is dependent on the input source used.

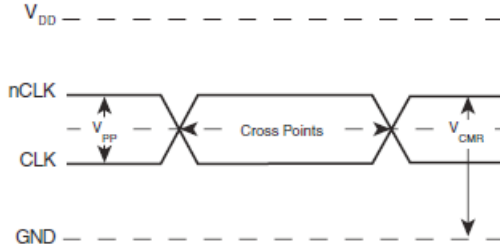
## PARAMETER MEASUREMENT INFORMATION



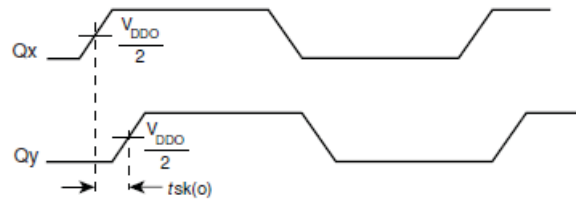
3.3V OUTPUT LOAD AC TEST CIRCUIT



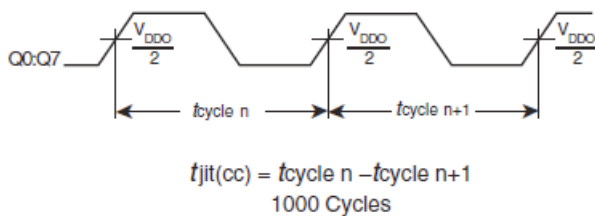
2.5V OUTPUT LOAD AC TEST CIRCUIT



DIFFERENTIAL INPUT LEVEL



OUTPUT SKEW

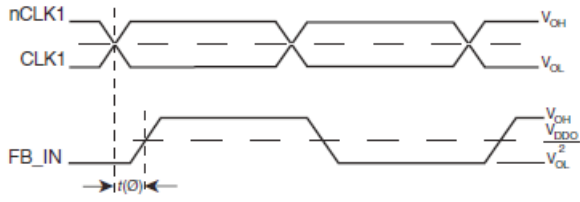


CYCLE-TO-CYCLE JITTER



OUTPUT RISE/FALL TIME

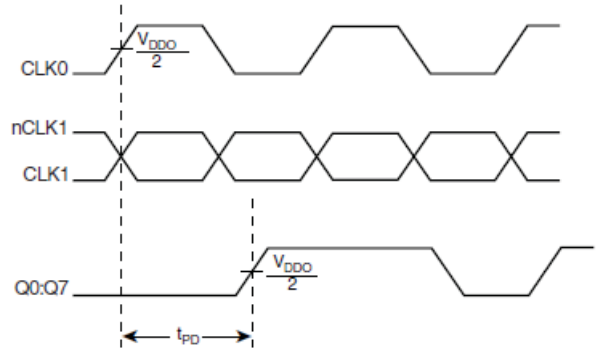




$$f_{jit}(O) = |t(O) - t(O)_{mean}| = \text{Phase Jitter}$$

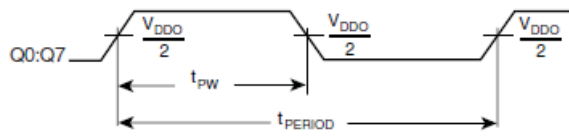
$$t(O)_{mean} = \text{Static Phase Offset}$$

(where  $t(O)$  is any random sample, and  $t(O)_{mean}$  is the average of the sampled cycles measured on controlled edges)



**PHASE JITTER & STATIC PHASE OFFSET**

**PROPAGATION DELAY**



$$odc = \frac{t_{PW}}{t_{PERIOD}}$$

**$t_{PW}$ , odc AND  $t_{PERIOD}$**

## APPLICATION INFORMATION

### POWER SUPPLY FILTERING TECHNIQUES

As in any high speed analog circuitry, the power supply pins are vulnerable to random noise. The 8705I provides separate power supplies to isolate any high switching noise from the outputs to the internal PLL.  $V_{DD}$ ,  $V_{DDA}$ , and  $V_{DDO}$  should be individually connected to the power supply plane through vias, and bypass capacitors should be used for each pin. To achieve optimum jitter performance, power supply isolation is required. *Figure 1* illustrates how a  $10\Omega$  resistor along with a  $10\mu\text{F}$  and a  $.01\mu\text{F}$  bypass capacitor should be connected to each  $V_{DDA}$ .

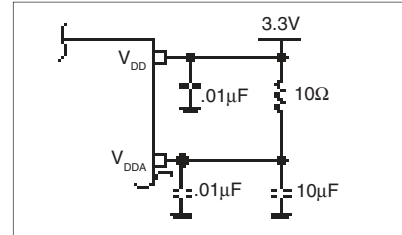


FIGURE 1. POWER SUPPLY FILTERING

### WIRING THE DIFFERENTIAL INPUT TO ACCEPT SINGLE ENDED LEVELS

*Figure 2* shows how the differential input can be wired to accept single ended levels. The reference voltage  $V_{REF} = V_{CC}/2$  is generated by the bias resistors R1, R2 and C1. This bias circuit should be located as close as possible to the input pin. The ratio

of R1 and R2 might need to be adjusted to position the  $V_{REF}$  in the center of the input voltage swing. For example, if the input clock swing is only 2.5V and  $V_{CC} = 3.3\text{V}$ ,  $V_{REF}$  should be 1.25V and  $R2/R1 = 0.609$ .

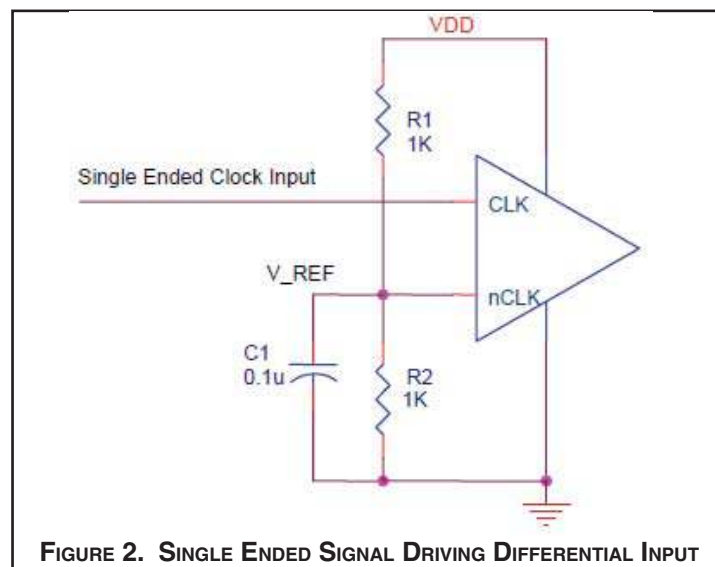
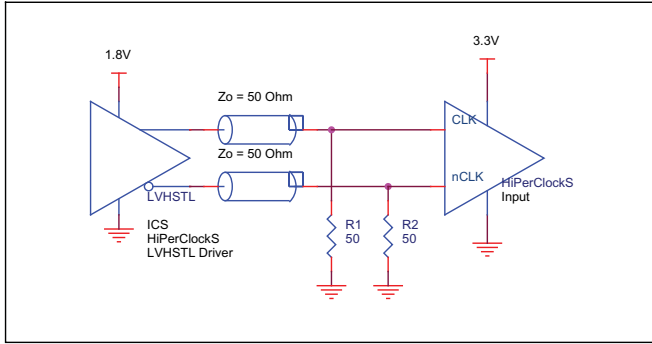


FIGURE 2. SINGLE ENDED SIGNAL DRIVING DIFFERENTIAL INPUT

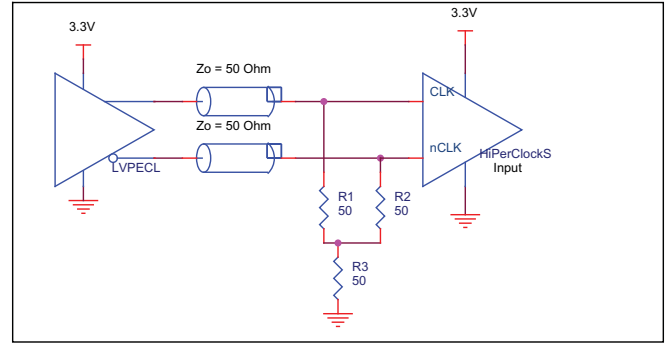
### DIFFERENTIAL CLOCK INPUT INTERFACE

The CLK/nCLK accepts LVDS, LVPECL, LVHSTL, SSTL, HCSTL and other differential signals. Both  $V_{SWING}$  and  $V_{OH}$  must meet the  $V_{PP}$  and  $V_{CMR}$  input requirements. Figures 3A to 3D show interface examples for the CLK/nCLK input driven by the most common driver types. The input interfaces suggested here are

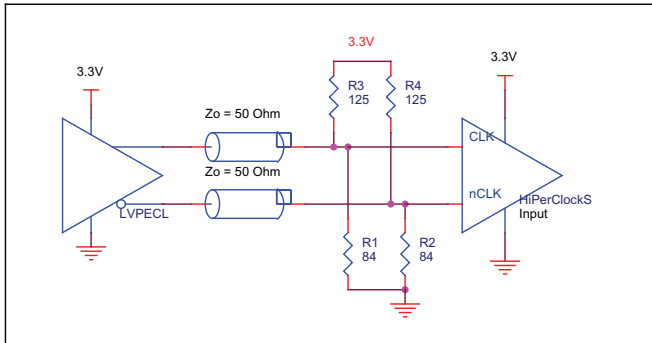
examples only. Please consult with the vendor of the driver component to confirm the driver termination requirements. For example in *Figure 4A*, the input termination applies for LVHSTL drivers. If you are using an LVHSTL driver from another vendor, use their termination recommendation.



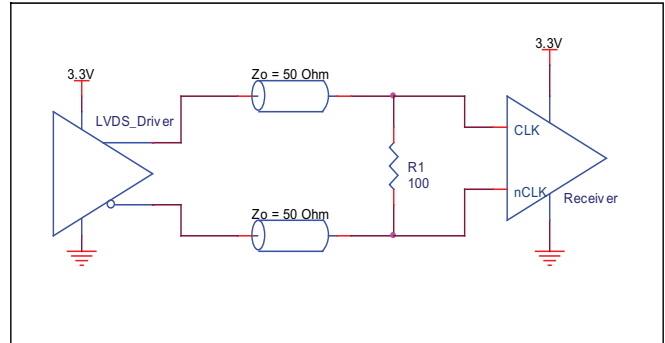
**FIGURE 3A. CLK/nCLK INPUT DRIVEN BY LVHSTL DRIVER**



**FIGURE 3B. CLK/nCLK INPUT DRIVEN BY 3.3V LVPECL DRIVER**



**FIGURE 3C. CLK/nCLK INPUT DRIVEN BY 3.3V LVPECL DRIVER**



**FIGURE 3D. CLK/nCLK INPUT DRIVEN BY 3.3V LVDS DRIVER**

### LAYOUT GUIDELINE

The schematic of the 8705I layout example is shown in Figure 4A. The 8705I recommended PCB board layout for this example is shown in Figure 4B. This layout example is used as a general guideline. The layout in the actual system will

depend on the selected component types, the density of the components, the density of the traces, and the stack up of the P.C. board.

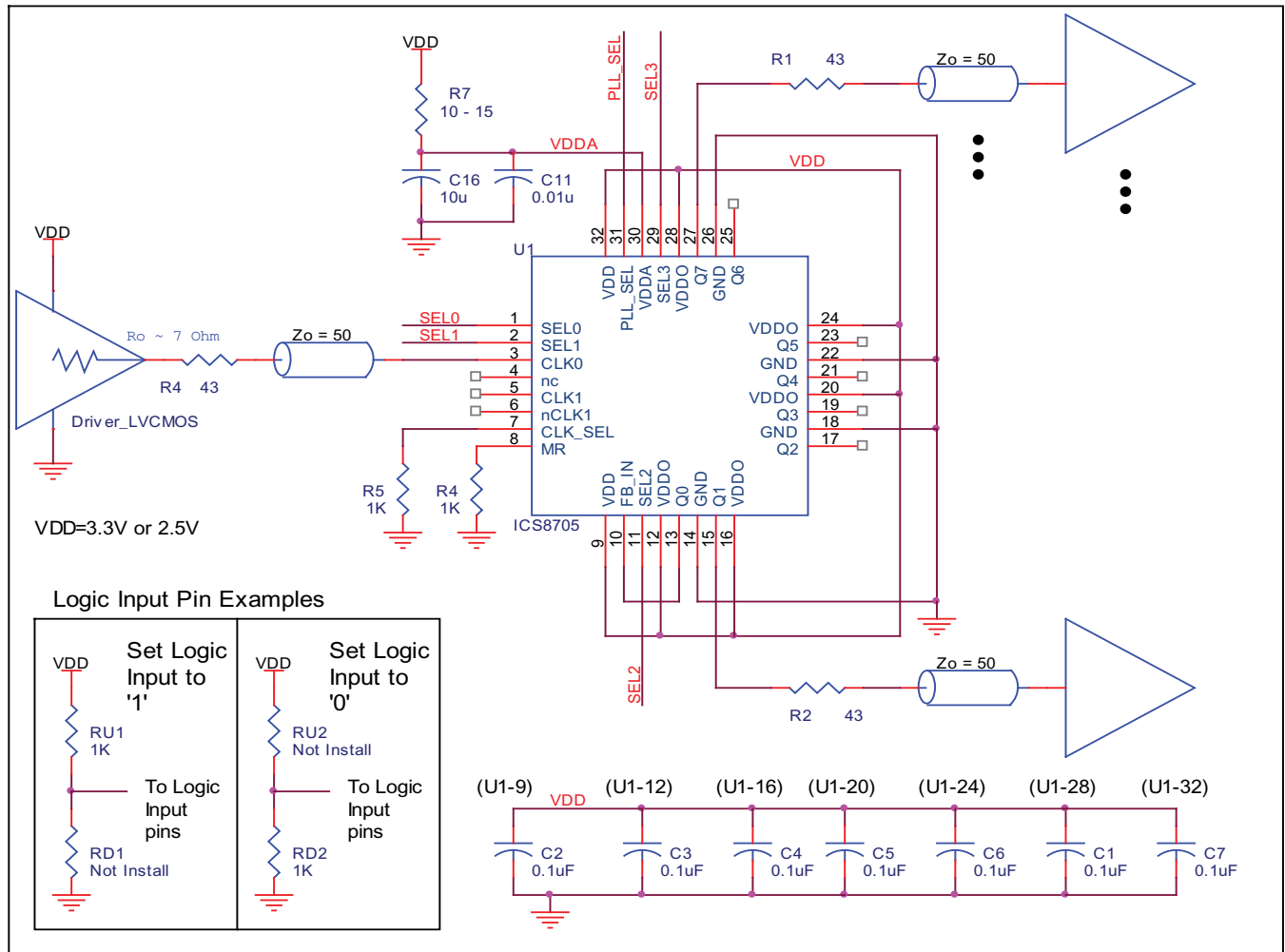


FIGURE 4A. 8705I LVC MOS CLOCK GENERATOR SCHEMATIC EXAMPLE

The following component footprints are used in this layout example:

All the resistors and capacitors are size 0603.

**POWER AND GROUNDING**

Place the decoupling capacitors as close as possible to the power pins. If space allows, placement of the decoupling capacitor on the component side is preferred. This can reduce unwanted inductance between the decoupling capacitor and the power pin caused by the via.

Maximize the power and ground pad sizes and number of vias capacitors. This can reduce the inductance between the power and ground planes and the component power and ground pins.

The RC filter consisting of R7, C11, and C16 should be placed as close to the V<sub>DDA</sub> pin as possible.

**CLOCK TRACES AND TERMINATION**

Poor signal integrity can degrade the system performance or cause system failure. In synchronous high-speed digital systems, the clock signal is less tolerant to poor signal integrity than other signals. Any ringing on the rising or falling edge or excessive ring back can cause system failure. The shape of the

trace and the trace delay might be restricted by the available space on the board and the component location. While routing the traces, the clock signal traces should be routed first and should be locked prior to routing other signal traces.

- The differential 50Ω output traces should have same length.
- Avoid sharp angles on the clock trace. Sharp angle turns cause the characteristic impedance to change on the transmission lines.
- Keep the clock traces on the same layer. Whenever possible, avoid placing vias on the clock traces. Placement of vias on the traces can affect the trace characteristic impedance and hence degrade signal integrity.
- To prevent cross talk, avoid routing other signal traces in parallel with the clock traces. If running parallel traces is unavoidable, allow a separation of at least three trace widths between the differential clock trace and the other signal trace.
- Make sure no other signal traces are routed between the clock trace pair.
- The series termination resistors should be located as close to the driver pins as possible.

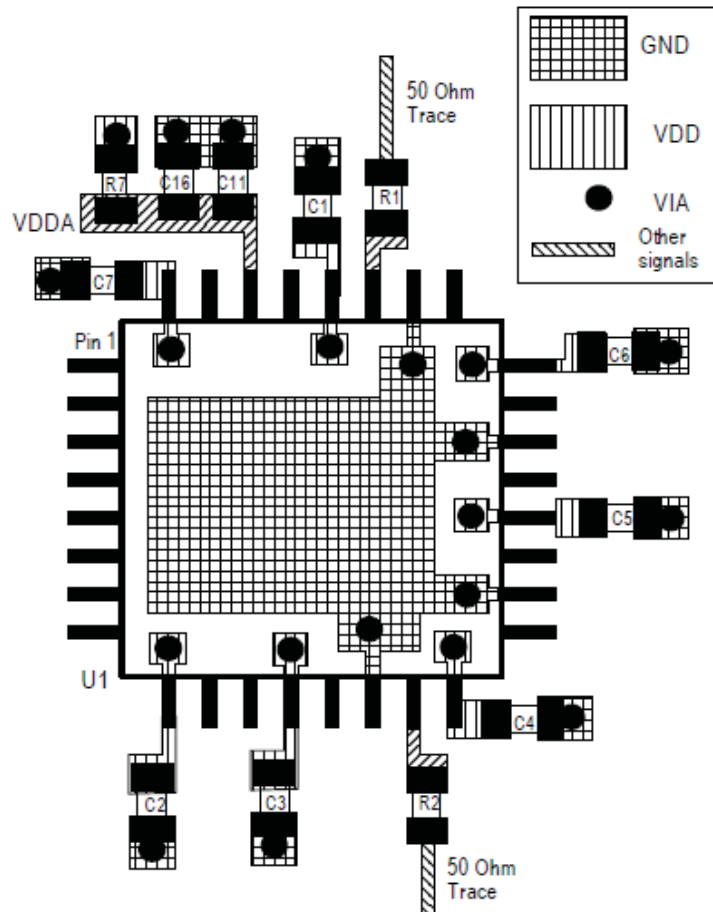


FIGURE 4B. PCB BOARD LAYOUT FOR 87051

## RELIABILITY INFORMATION

TABLE 6.  $\theta_{JA}$  VS. AIR FLOW TABLE FOR 32 LEAD LQFP

$\theta_{JA}$ by Velocity (Linear Feet per Minute)			
	0	200	500
Single-Layer PCB, JEDEC Standard Test Boards	67.8°C/W	55.9°C/W	50.1°C/W
Multi-Layer PCB, JEDEC Standard Test Boards	47.9°C/W	42.1°C/W	39.4°C/W

**NOTE:** Most modern PCB designs use multi-layered boards. The data in the second row pertains to most designs.

### TRANSISTOR COUNT

The transistor count for 8705I is: 3126

PACKAGE OUTLINE - Y SUFFIX FOR 32 LEAD LQFP

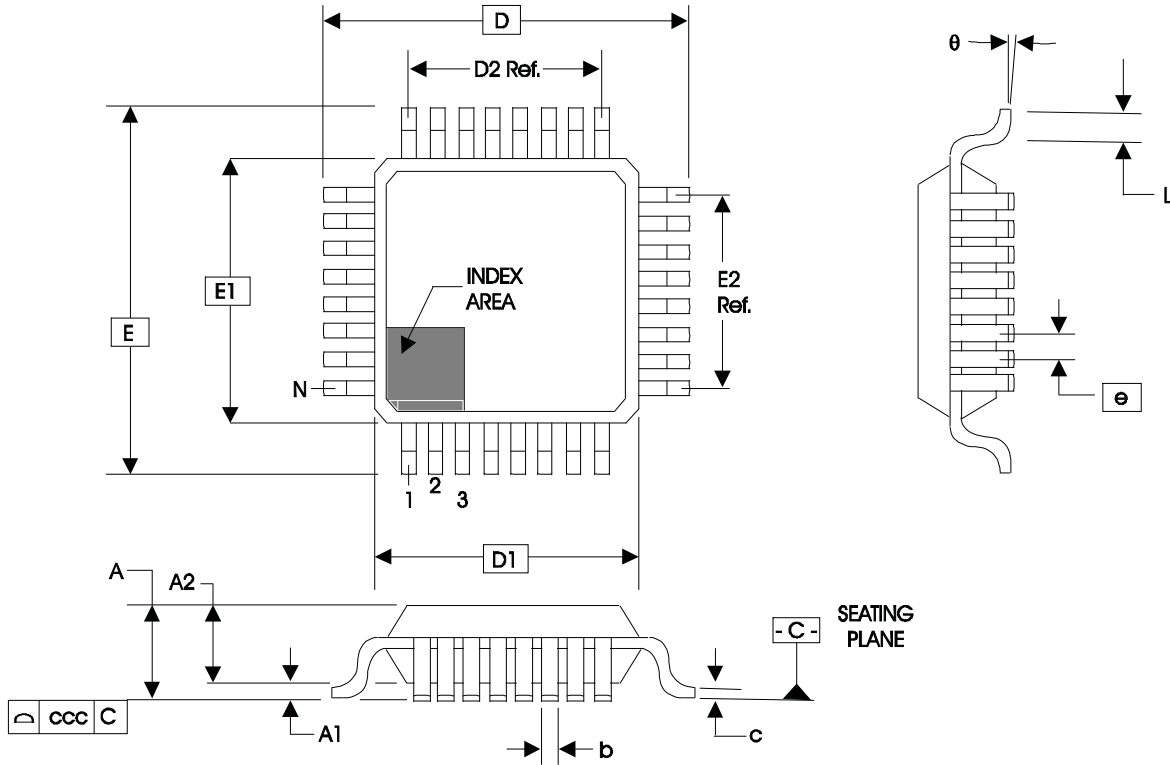


TABLE 7. PACKAGE DIMENSIONS

JEDEC VARIATION ALL DIMENSIONS IN MILLIMETERS			
SYMBOL	BBA		
	MINIMUM	NOMINAL	MAXIMUM
N	32		
A	--	--	1.60
A1	0.05	--	0.15
A2	1.35	1.40	1.45
b	0.30	0.37	0.45
c	0.09	--	0.20
D	9.00 BASIC		
D1	7.00 BASIC		
D2	5.60 Ref.		
E	9.00 BASIC		
E1	7.00 BASIC		
E2	5.60 Ref.		
e	0.80 BASIC		
L	0.45	0.60	0.75
θ	0°	--	7°
ccc	--	--	0.10

Reference Document: JEDEC Publication 95, MS-026

**TABLE 8. ORDERING INFORMATION**

Part/Order Number	Marking	Package	Shipping Packaging	Temperature
8705BYILF	ICS8705BYILF	32 Lead "Lead Free" LQFP	tray	-40°C to 85°C
8705BYILFT	ICS8705BYILF	32 Lead "Lead Free" LQFP	tape & reel	-40°C to 85°C

NOTE: Parts that are ordered with an "LF" suffix to the part number are the Pb-Free configuration and are RoHS compliant.



REVISION HISTORY SHEET				
Rev	Table	Page	Description of Change	Date
B	3A	3	PLL Enable Function Table - revised the Reference Frequency Range column	4/5/02
	5A	5	3.3V AC Characteristics Table - updated the Output Frequency row from 275MHz Max. to 250MHz Max.	
	5B	7	2.5V AC Characteristics Table - updated the Output Frequency row from 275MHz Max. to 250MHz Max.	
B	1	2	Pin Description Table - revised power pin descriptions.	4/10/02
B	2	2	Pin Characteristics Table - added 23pF to C <sub>PD</sub> row.	7/15/02
B	1	2	Pin Description Table - Pin# 10 from description, replaced "Connect to pin 10." with "Connect to one of the outputs."	8/1/02
B	1	2	Revised CLK0 description and MR description.	8/21/02
		8	Revised Output Rise/Fall Time Diagram.	
C	1	2	Pin Description table - revised MR and V <sub>DD</sub> descriptions.	1/22/03
	4A & 4D	4 & 6	Power Supply Table - changed V <sub>DD</sub> parameter to correspond with the pin description.	
	5A & 5B	5 & 7	AC tables - Changed the Static Phase Offset limits for CLK1, nCLK1.	
D	T5B	7	2.5V AC Characteristics Table - added Phase Jitter spec, and Note 5.	3/14/03
		9	Replaced Static Phase Offset Diagram with Phase Jitter & SPO Diagram.	
D	T2	2	Pin Characteristics Table - changed C <sub>IN</sub> 4pF max. to 4pF typical. R <sub>OUT</sub> , added 5W min. and 12W max.	7/14/03
		11	Added Differential Clock Input Interface section.	
		12 & 13	Added Layout Guideline and PCB Board Layout.	
D	T8	1	Added Lead-Free bullet to Features section.	7/8/04
		16	Added Lead-Free part number to Ordering Information table.	
E	T8	16	Updated datasheet's header/footer with IDT from ICS.	7/16/10
		18	Removed "ICS" prefix from Part/Order Number column. Corrected packaging column	
			Added Contact Page.	
E		1	NRND - Nor Recommended For New Designs	5/30/13
E	T8	16	Ordering Information - removed leaded devices. Updated data sheet format	7/13/15



## IMPORTANT NOTICE AND DISCLAIMER

RENESAS ELECTRONICS CORPORATION AND ITS SUBSIDIARIES (“RENESAS”) PROVIDES TECHNICAL SPECIFICATIONS AND RELIABILITY DATA (INCLUDING DATASHEETS), DESIGN RESOURCES (INCLUDING REFERENCE DESIGNS), APPLICATION OR OTHER DESIGN ADVICE, WEB TOOLS, SAFETY INFORMATION, AND OTHER RESOURCES “AS IS” AND WITH ALL FAULTS, AND DISCLAIMS ALL WARRANTIES, EXPRESS OR IMPLIED, INCLUDING, WITHOUT LIMITATION, ANY IMPLIED WARRANTIES OF MERCHANTABILITY, FITNESS FOR A PARTICULAR PURPOSE, OR NON-INFRINGEMENT OF THIRD PARTY INTELLECTUAL PROPERTY RIGHTS.

These resources are intended for developers skilled in the art designing with Renesas products. You are solely responsible for (1) selecting the appropriate products for your application, (2) designing, validating, and testing your application, and (3) ensuring your application meets applicable standards, and any other safety, security, or other requirements. These resources are subject to change without notice. Renesas grants you permission to use these resources only for development of an application that uses Renesas products. Other reproduction or use of these resources is strictly prohibited. No license is granted to any other Renesas intellectual property or to any third party intellectual property. Renesas disclaims responsibility for, and you will fully indemnify Renesas and its representatives against, any claims, damages, costs, losses, or liabilities arising out of your use of these resources. Renesas' products are provided only subject to Renesas' Terms and Conditions of Sale or other applicable terms agreed to in writing. No use of any Renesas resources expands or otherwise alters any applicable warranties or warranty disclaimers for these products.

(Disclaimer Rev.1.0 Mar 2020)

### Corporate Headquarters

TOYOSU FORESIA, 3-2-24 Toyosu,  
Koto-ku, Tokyo 135-0061, Japan  
[www.renesas.com](http://www.renesas.com)

### Contact Information

For further information on a product, technology, the most up-to-date version of a document, or your nearest sales office, please visit:  
[www.renesas.com/contact/](http://www.renesas.com/contact/)

### Trademarks

Renesas and the Renesas logo are trademarks of Renesas Electronics Corporation. All trademarks and registered trademarks are the property of their respective owners.