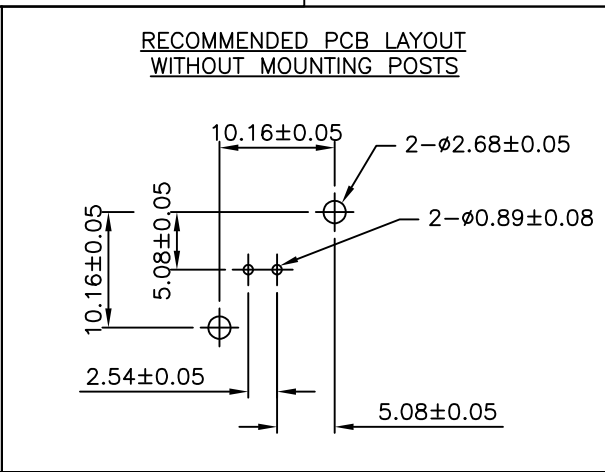
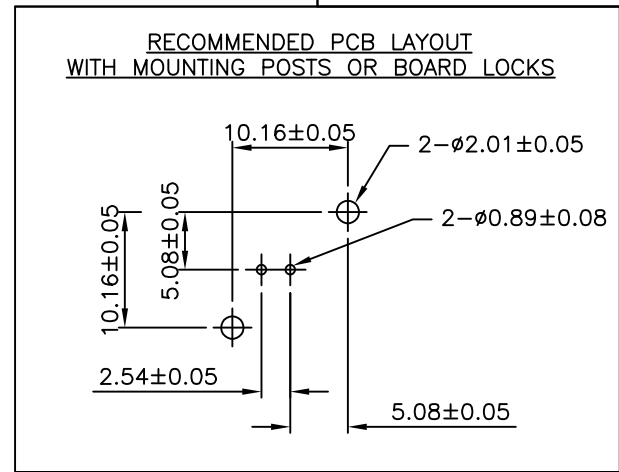
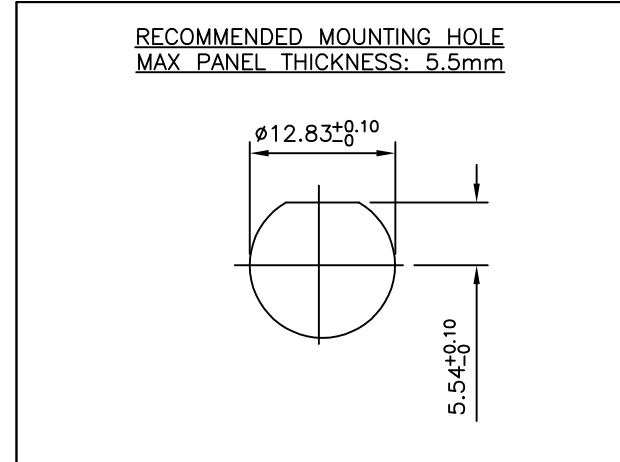
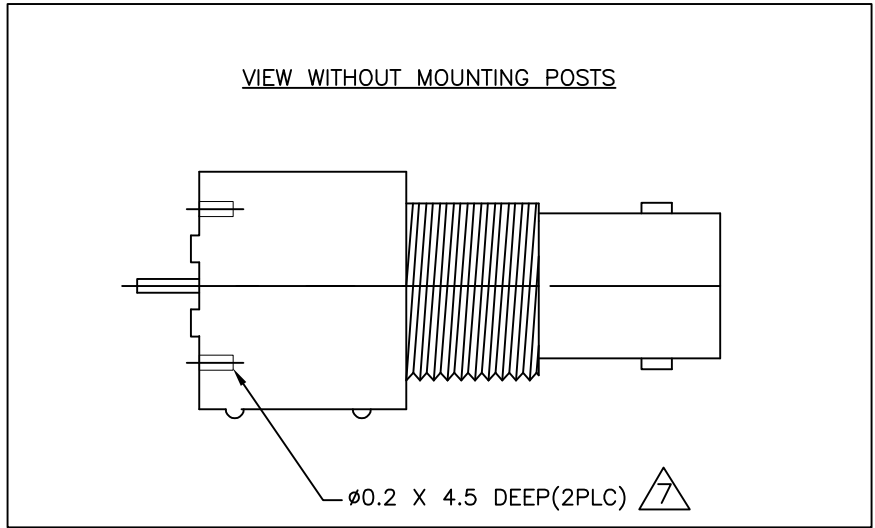
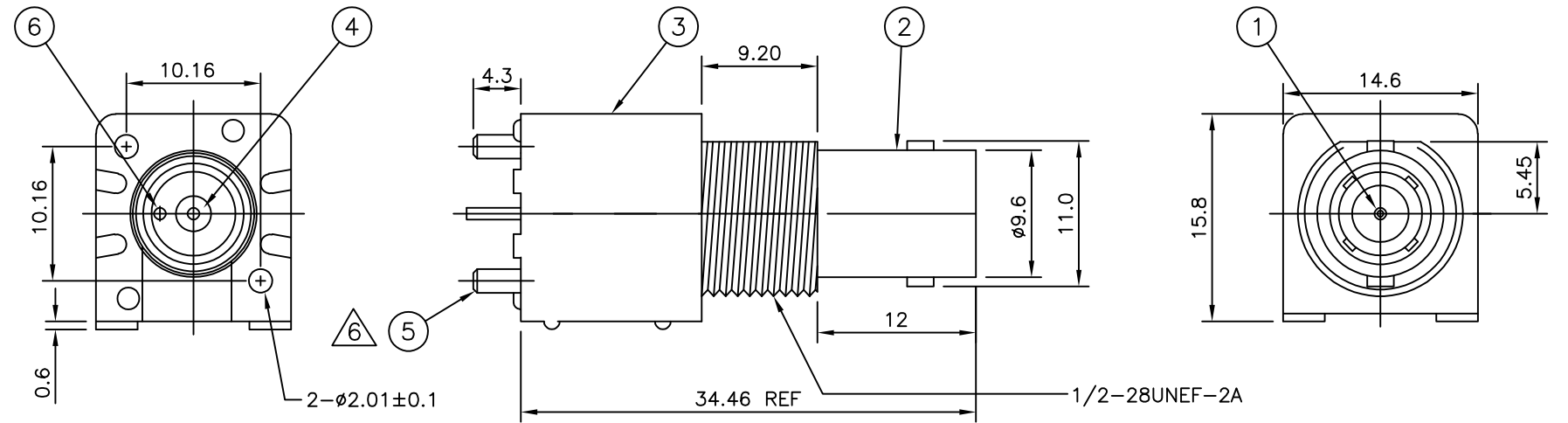


THIS DRAWING IS UNPUBLISHED. RELEASED FOR PUBLICATION JULY, 2005.  
 © COPYRIGHT 2005 By - ALL RIGHTS RESERVED.

LOC	DIST	REVISIONS			
P	LTR	DESCRIPTION	DATE	DWN	APVD
E	B	B1	REVISED PER ECO-11-005033	01APR11	RK HMR
		C	REVISED PER ECO-12-010042	29MAY2012	TITAN MARTIN

- NOTES:**
- ① SINGLE PACK IN ACCORDANCE WITH AMP SPEC 107-3275
  - ② 50 TRAY PACK IN ACCORDANCE WITH AMP SPEC 107-3275
  - ③ Au PLATING OVER Ni PLATING OVER Cu PLATING
  - ④ Ni PLATING OVER Cu PLATING
  - ⑤ TIN PLATING
  - ⑥ MOUNTING POSTS ARE OPTIONAL SEE TABLE FOR PART NUMBERS
  - ⑦ RECOMMENDED SELF-TAPPING SCREW 221108-4
  - 8. RECOMMENDED MOUNT NUT 1-1634816-0
  - 9. RECOMMENDED LOCKWASHER 1-1634817-0
  - 10. FOR TECHNICAL DATA REFER TO YOUR LOCAL TE CONNECTIVITY SALES OFFICE
  - 11. ALL DIMENSIONS ARE NOMINAL FOR REFERENCE ONLY UNLESS OTHERWISE STATED



QTY	1	1	1	1	MATERIAL	DESCRIPTION	ITEM
	1	1	1	1	BRASS	SOLDER TAIL	6
	-	-	2	2	BRASS	MOUNTING POST	5
	1	1	1	1	PE-606	INSULATOR	4
	1	1	1	1	PBT BLACK	HOUSING	3
	1	1	1	1	ZINC ALLOY	BODY	2
	1	1	1	1	BRASS	CONTACT	1
	6--1	1--1	6--0	1--0			
	②	①	②	①			

QUANTITY PER ASSY PARTS LIST

THIS DRAWING IS A CONTROLLED DOCUMENT.

DWN RITA ZUO 06 Mar 09  
 CHK ANSON MA 06 Mar 09  
 APVD BOB ZHAO 06 Mar 09

PRODUCT SPEC: 108-112000  
 APPLICATION SPEC: -

WEIGHT: -

MATERIAL: SEE TABLE FINISH: SEE TABLE

**STE** TE Connectivity

BNC STRAIGHT INSULATED PCB SOCKET  
 75 OHM BLACK

SIZE: A3 CAGE CODE: 00779 DRAWING NO: C-1634629 RESTRICTED TO: -

CUSTOMER DRAWING SCALE: 1:1 SHEET: 1 OF 1 REV: C