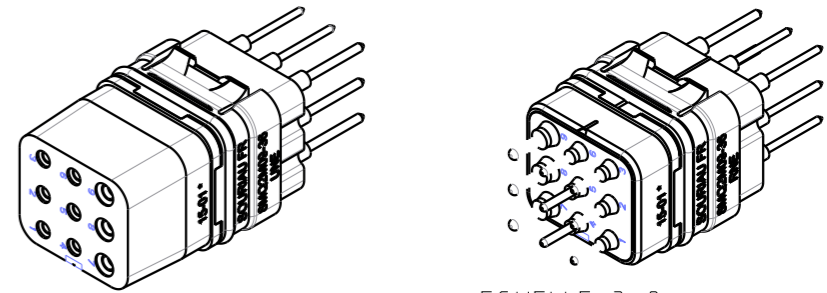
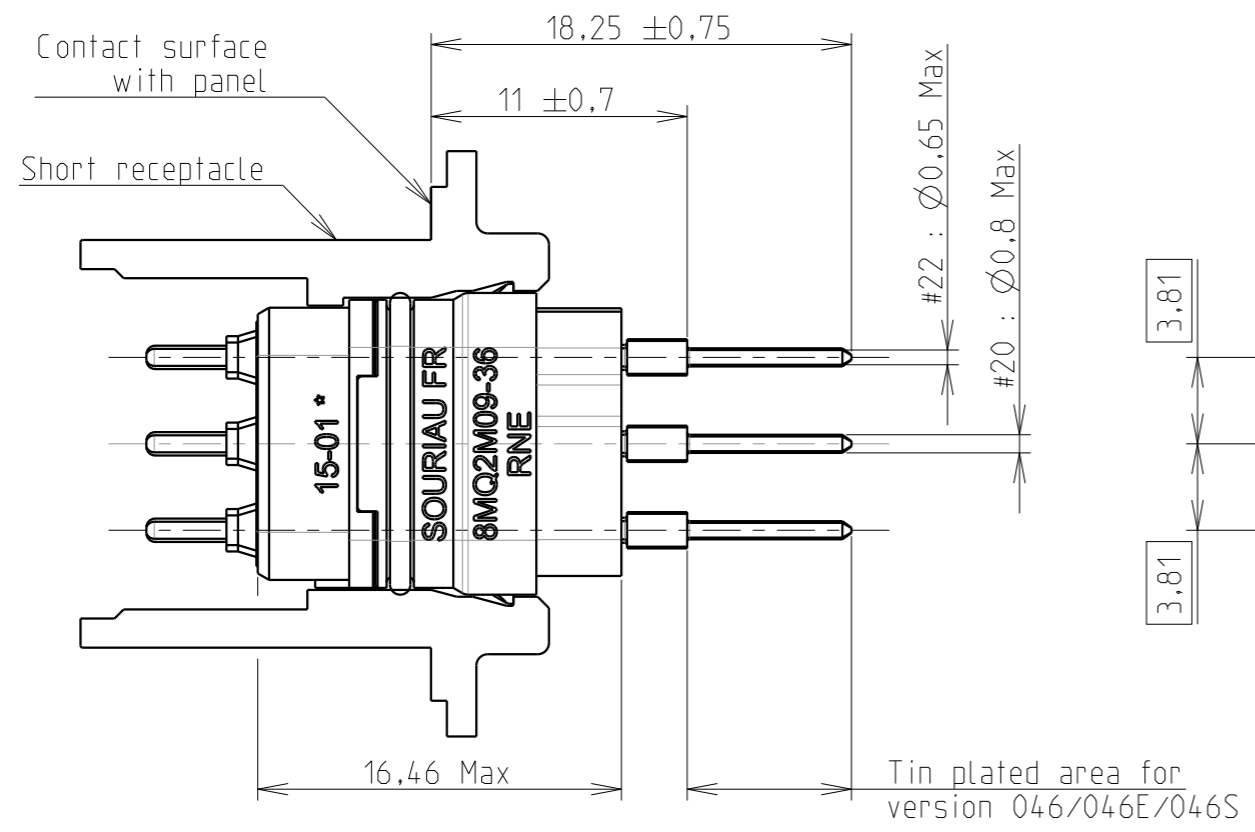


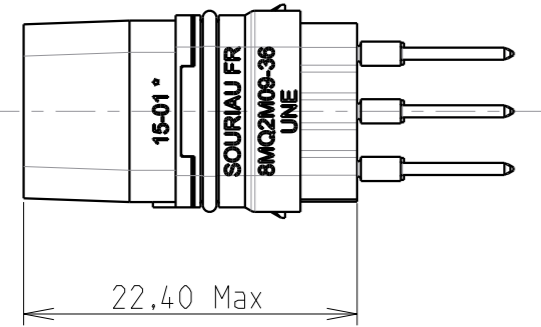
C.2: Validé

MASS ± 5% (g)	
Male module	5
Female module	6.6



Technical requirements	
1-	According to EN4165
2-	Voltage proof test (Sea level) : - #20 > 1500 V r.m.s. - #22 > 1300 V r.m.s.
3-	Insulation resistance > 5000 MΩ
4-	Climatic sequence : -55 °C / +175 °C
5-	Fluid resistance : See standard EN 4165-001 (table 40)
6-	Contact retention in insert : - #20 = 67 N - #22 = 44 N
7-	Materials : Thermoplastic and silicone
8-	Delivered with protection cap

Female module dimension



(other dimensions are available for male and female module)

BASIC SERIE	8MQ	2	M	09-36	R	N	E	S	-
2 = Serie 2		M = Module		Layout		Dash = No grounding			
R = Male module delivered with contacts		U = Female module delivered with contacts		N, A, B, C, D = polarization					
None = Without peripheral sealing		E = With peripheral sealing		S = Delivered with protection cap					
None = Pin contact : Gold plated, 0.8 μm mini		046 = Pin contact : Tin plated over gold - SnPb		046E = Pin contact : Tin plated over gold - Sn100		046S = Pin contact : Tin plated over gold - SAC305			

SOURIAU shall not be liable for any non-conformity or damage due to a use of the Products which does not comply with the Specifications issued by either of the Parties or by a third party (professional recommendation, technical notice.)

Country	Jurisdiction & Control List
FR	NOT LISTED

P/N : SEE TABLE

ISS	DATE	Update of contact position	23536BH
	04/10/18	--	
ISS	DATE	Latest modification - by:	MOD N°
		H.SIMIER	
Designed by:		CUSTOMER DRAWING	
N.AUFFRET		Date:30/03/17	
TITLE		MODULES WITH STRAIGHT PCB CONTACTS - LAYOUT 09-36	
GAMME 8MQ			
Scale	General linear Tolerances:	NPRDS / PROJECT	
3/1	± --	BE164803A	
Esterline Connection Technologies		WWW.SOURIAU.COM	
FORMAT		This document is the property of SOURIAU It must not be reproduced or communicated without permission	
A3		SOURIAU DRG N° C010-8MQ-A	
		SHEET 1 / 1	