

MATERIALS AND FINISHES

BODY, COUPLING NUT, CAP, OUTER CONTACT BRASS
PLATED NICKEL

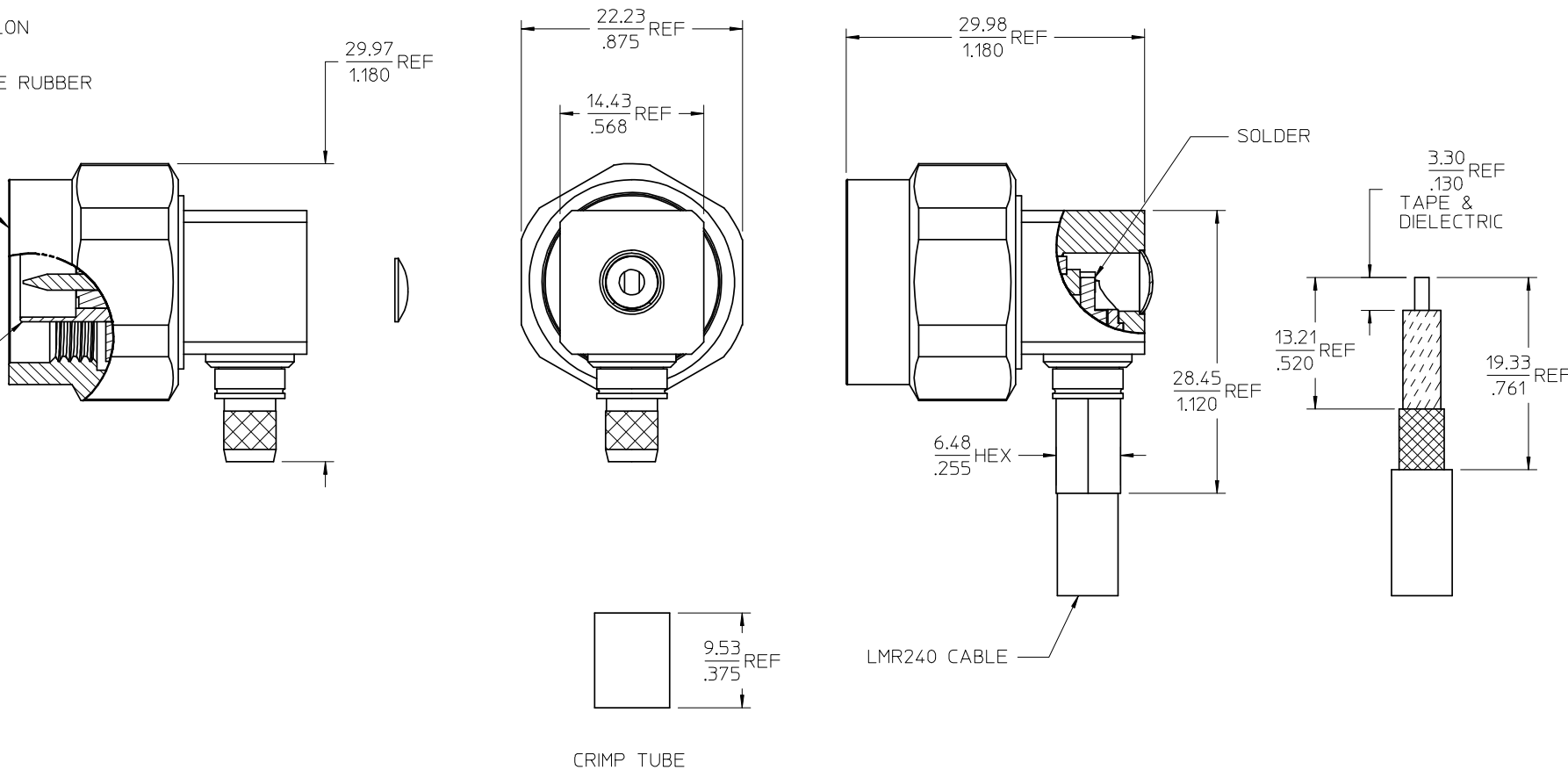
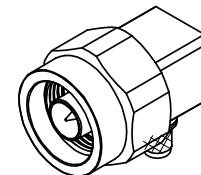
CENTER CONTACT BRASS
PLATED GOLD

INSULATOR TEFLON

GASKET SILICONE RUBBER

N PLUG
INTERFACE

SOLID
OUTER
CONTACT



PART # 73276-0690

CHG: REDREW TO SHOW NEW CNUT & OUTER CONTACT. ADDED CABLE ASSY INSTRUCTIONS.
EC NO: URF2008-0578
DRAWN: ROBERTSON 2008/05/09
CHKD: SSS 2008/05/09
APPR: JWIENER 2008/05/09

QUALITY SYMBOLS
▽=0
▽=0

GENERAL TOLERANCES (UNLESS SPECIFIED)

	mm	INCH
4 PLACES	± .005	± .0002
3 PLACES	± .005	± .0002
2 PLACES	± .005	± .0002
1 PLACE	± .005	± .0002

ANGULAR ± 2 °

DRAFT WHERE APPLICABLE MUST REMAIN WITHIN DIMENSIONS

DIMENSION STYLE
MM/IN

DRAWN BY DATE
TEF 2002/01/02

CHECKED BY DATE
SSS 2002/01/02

APPROVED BY DATE
GMH 2002/01/02

MATERIAL NO.
732760690

SIZE
C

SCALE
DESIGN UNITS
METRIC

THIRD ANGLE PROJECTION

TITLE
N PLUG, RA, LMR240
50 OHMS, N-PC/RA

MOLEX INCORPORATED

DOCUMENT NO.
SD-73276-069

SHEET NO.
1 OF 1

THIS DRAWING CONTAINS INFORMATION THAT IS PROPRIETARY TO MOLEX INCORPORATED AND SHOULD NOT BE USED WITHOUT WRITTEN PERMISSION