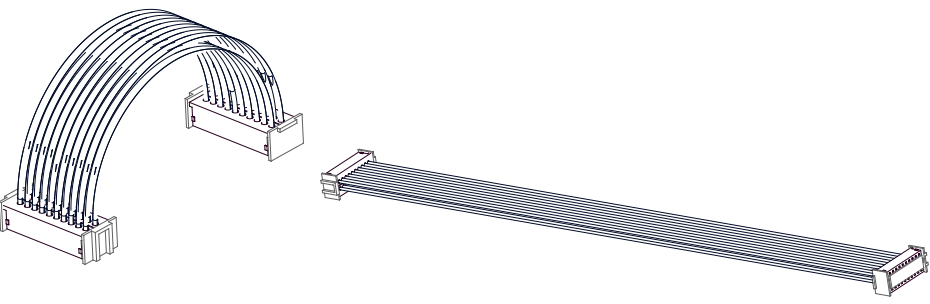
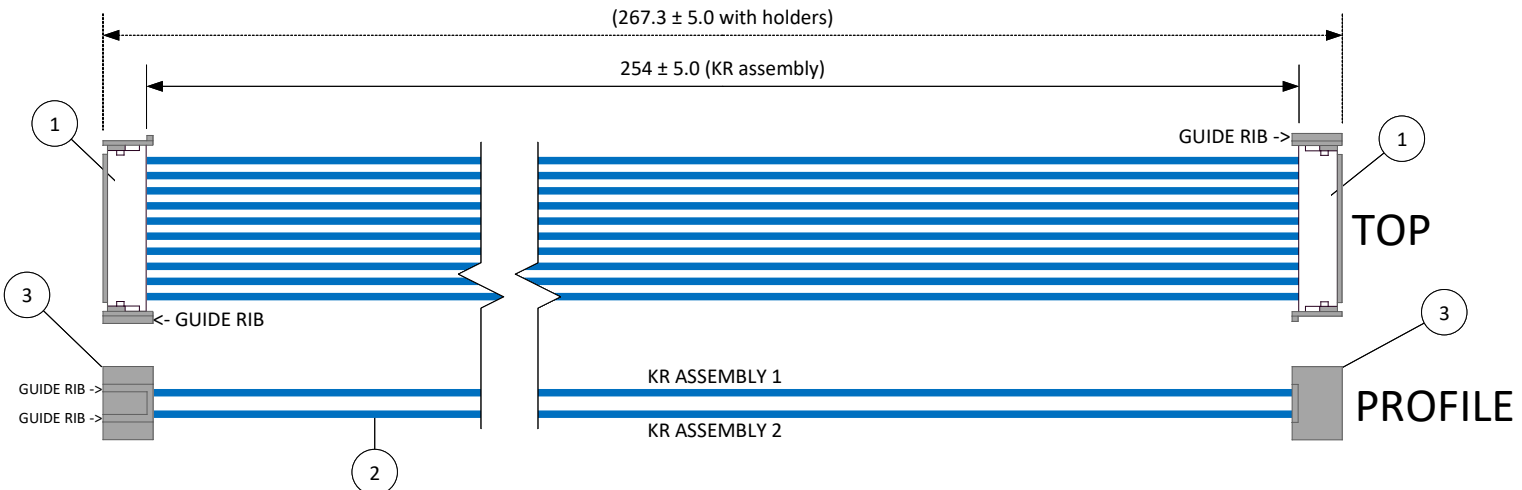


THIS DRAWING CONTAINS INFORMATION THAT IS PROPRIETARY TO J.S.T. AND SHALL NOT BE USED OR SHOWN WITHOUT WRITTEN PERMISSION.

	4		3		2		1
ITEM	QTY.	PART NO.	DESCRIPTION				
1	4	10KR-6S-P	KR CONNECTOR				
2	5,280 mm	UL1061, 26AWG	BLUE				
3	2	KRWH-20C-H	GRAY CONNECTOR HOLDER				



Electrical Specifications	
Current:	1.0A AC/DC
Voltage:	100V AC/DC

DIMENSIONS		SCALE	
All dimensions are in MM with a tolerance of +/- 5.0 unless otherwise specified.		1: 1	
DRAWN BY		DESCRIPTION	
STEVEN PILKINGTON		2.0 mm Pitch KRW Catalog Standard Assembly - 10" Inside Length	
CHECKED BY		ASSEMBLY PART NO.	
CHELSEA COLE		A20KRW20KRW26E254C	
		DRAWING NO.	DATE
		GAM-1039	8/26/2021

1	Revised part number	10/12/2021	SP
REV.	DESCRIPTION	DATE	BY

4	3	2	1
---	---	---	---