

PAGE 1/2

ISSUE 22-03-22

SERIE : SPnT

PART NUMBER : R574103000

RF CHARACTERISTICS

Number of ways : **10**
 Frequency range : **0 - 8 GHz**
 Impedance : **50 Ohms**

| Frequency (GHz) | DC - 3 | 3 - 8 |
|--------------------|----------------|----------------|
| VSWR max | 1.30 | 1.50 |
| Insertion loss max | 0.30 dB | 0.50 dB |
| Isolation min | 80 dB | 70 dB |
| Average power (*) | 400 W | 250 W |

VSWR values are not applicable for internal terminations

TERMINATION IMPEDANCE : **50 Ohms**
 TERM. AVG. POWER AT 25° C : **1 W per termination / 3 W total power**

ELECTRICAL CHARACTERISTICS

Actuator : **NORMALLY OPEN**
 Nominal current ** : **102 mA**
 Actuator voltage (Vcc) : **28V (24 to 30V) / NEGATIVE COMMON**
 Terminals : **solder pins (250°C max. / 30 sec.)**

MECHANICAL CHARACTERISTICS

Connectors : **N female per MIL-C 39012**
 Life : **2 million cycles per position**
 Switching Time*** : **< 15 ms**
 Construction : **Splashproof**
 Weight : **< 850 g**

ENVIRONMENTAL CHARACTERISTICS

Operating temperature range : **-40°C to +85°C**
 Storage temperature range : **-55°C to +85°C**

(* Average power at 25°C per RF Path)

(** At 25° C ±10%)

(*** Nominal voltage ; 25° C)



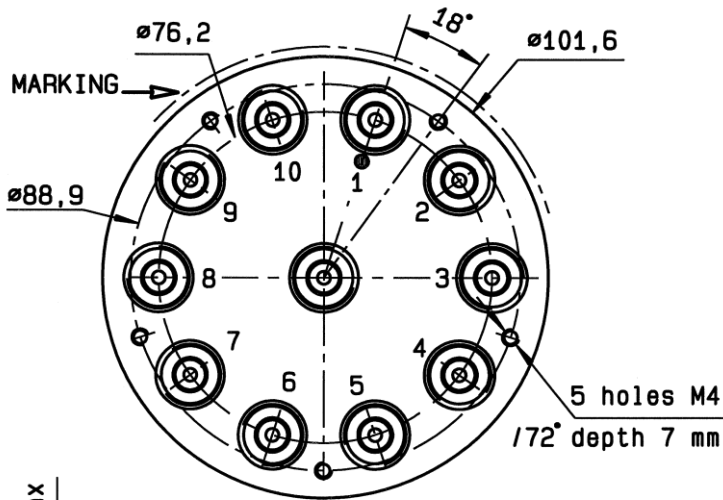
PAGE 2/2

ISSUE 22-03-22

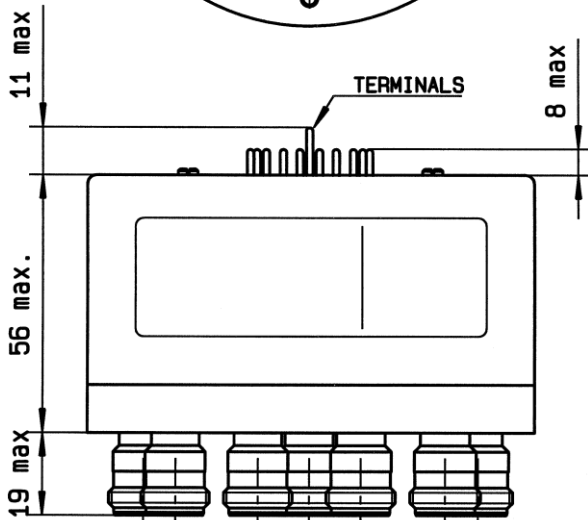
SERIE : SPnT

PART NUMBER : R574103000

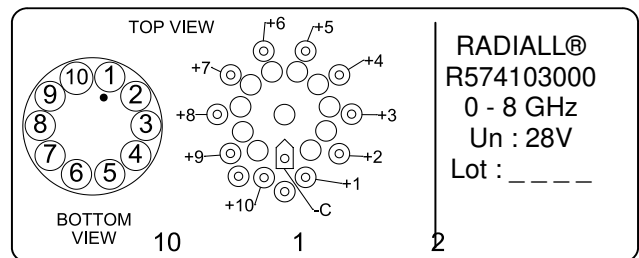
DRAWING



| Voltage | RF Continuity |
|---------|---------------|
| -C +1 | IN ↔ 1 |
| -C +2 | IN ↔ 2 |
| -C +3 | IN ↔ 3 |
| -C +4 | IN ↔ 4 |
| -C +5 | IN ↔ 5 |
| -C +6 | IN ↔ 6 |
| -C +7 | IN ↔ 7 |
| -C +8 | IN ↔ 8 |
| -C +9 | IN ↔ 9 |
| -C +10 | IN ↔ 10 |



LABEL



General tolerances : ±0,5 mm [0,02 in]

SCHEMATIC DIAGRAM

