

- NOTES:**
1. MATERIAL : BODY : LCP UL94-V0
: CONTACT : COPPER ALLOY.
 2. FOR PLATING PERFORMANCE REFER DRAWING # 10159408
 3. GENERAL CHARACTERISTICS ACCORDING TO GS-12-446
 4. ONE CENTER PEG FOR HOLD DOWN FORCE
 5. NO CODING RECESS FOR EXTENDED KEYS
 6. STANDARD PACKAGING IS TUBE ,BUT IF SUFFIX "P" IS ADDED IN P/N, PACKAGING IS IN TRAYS,MARKING IS WITHOUT "P"
EXAMPLE :70446-1xxPLF ,MARKING 704456-1xxLF
 7. THIS PRODUCT MEETS EUROPEAN UNION DIRECTIVES AND OTHER COUNTRY REGULATIONS AS DESCRIBED IN GS-47- 0004.
 9. A Δ SYMBOL WILL BE NEXT TO ANY DIMENSION, VIEW, OR NOTE WHICH HAS BEEN MODIFIED WITH THE CURRENT DRAWING REVISION.

REFER NOTE-2
70446-XYLFF

GENERAL CHARACTERISTICS AND ROHS INFORMATIONS
See PRODUCT SPECIFICATION : GS-12-446

mat'l. code		surface		tolerance		projection		product family	
		ISO 1302		ISO 406		ISO 101		METRAL	
ltr		ecn no		date		tolerances unless otherwise specified		title	
H		LS07-0134		MLE 2007-05-14		.X±0.3		METRAL RA HEADER STB CONVERG	
J		LS07-0245		MLE 2007-09-27		.XX±0.13		NB 4x6 1 MODULE- SPECIAL LOADING	
K		ELX-I-38990		MINI 2020-11-17		0°±2°		dwg no	
L		ELX-I-41182		RAHUL 2021-06-15		dr		sheet 1 of 3	
						FETROW		1998-06-09	
						enr		ARUN	
						chr		ALEX BABU	
						app		SANUJ	
								2020-11-17	
								Amphenol FCI	
								70446-1	
								A3	
								type	
								Product Customer Drawing	
sheet index		revision sheet		L		L		L	
				1		2		3	

Amphenol FCI

© 2016 AFCI

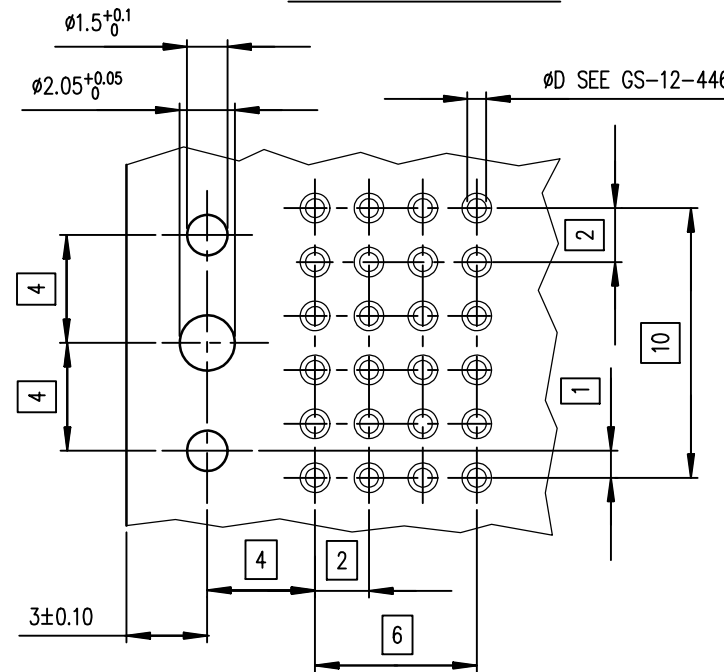
PART NUMBER : 70446-X01LF		CTS LOADING PATTERN				
DIM-P	1	2	3	4	5	6
ROW-D		5.00		5.00		5.00
ROW-C	5.00				5.00	
ROW-B		5.00		5.00		5.00
ROW-A	5.00				5.00	
DIM-D = 2.9±0.3		NUMBER OF CTS = 10				

PART NUMBER: 70446-X02LF		CTS LOADING PATTERN				
DIM-P	1	2	3	4	5	6
ROW-D		5.00		5.00		5.00
ROW-C	5.00		5.00		5.00	
ROW-B		5.00	5.00	5.00	5.00	5.00
ROW-A	5.00	5.00	5.00	5.00	5.00	5.00
DIM-D = 2.9±0.3		NUMBER OF CTS = 17				

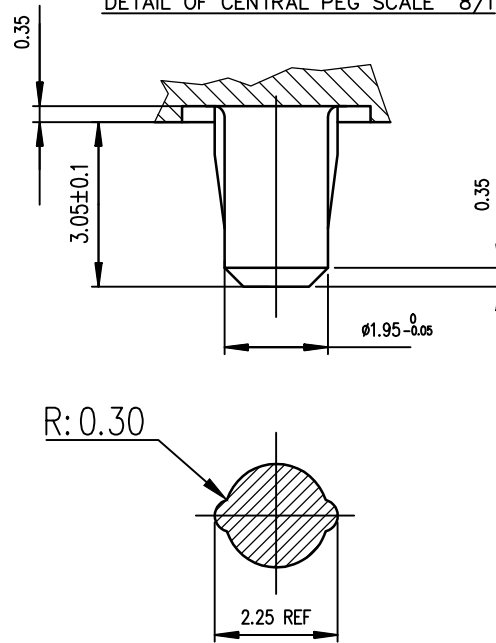
PART NUMBER: 70446-X03LF		CTS LOADING PATTERN				
DIM-P	1	2	3	4	5	6
ROW-D	5.75	5.75	5.75	5.75	5.75	5.75
ROW-C	5.75	5.75	5.75	5.75		
ROW-B	5.75	5.75	5.75	5.75		5.75
ROW-A	6.50	6.50	5.00	5.75		5.75
DIM-D = 2.9±0.3		NUMBER OF CTS = 20				

PART NUMBER: 70446-X04LF		CTS LOADING PATTERN				
DIM-P	1	2	3	4	5	6
ROW-D	5.75	5.75	5.75	5.75	5.75	5.75
ROW-C	5.75	5.75	5.75	5.75	5.75	5.75
ROW-B	5.75	5.75	5.75			
ROW-A	6.50	6.50	5.00		5.75	5.75
DIM-D = 2.9±0.3		NUMBER OF CTS = 20				

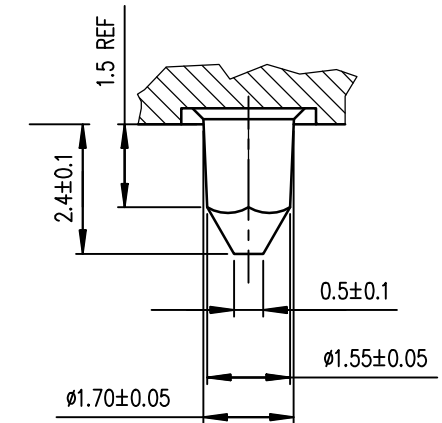
RECOMMENDED PCB LAYOUT



DETAIL OF CENTRAL PEG SCALE 8/1



DETAIL OF LOCATING PEGS (2x) SCALE 8/1



NOTE-20: PTH DIMENSIONS - ØD
 - DRILL DIAMETER = 0.85 REF AND PLATING
 SEE PRODUCT SPEC. : GS-12-446

OTHERS INFORMATIONS, SEE DRW 70446-1/-3

mat'l. code		surface		tolerance		projection		product family	
		ISO 1302		ISO 406		ISO 101		METRAL	
ltr		ecn no		dr		date		title	
H		LS07-0134		MLE		2007-05-14		METRAL RA HEADER STB CONVERG	
J		LS07-0245		MLE		2007-09-27		NB 4x6 1 MODULE- SPECIAL LOADING	
K		ELX-I-38990		MINI		2020-11-17		dwg no	
L		ELX-I-41182		RAHUL		2021-06-15		sheet 2 of 3	
								size	
								A3	
								type	
								Product Customer Drawing	
sheet index		revision sheet		L		L			
				1		2			

PART NUMBER: 70446-X05LF							CTS LOADING PATTERN								
DIM-P	1	2	3	4	5	6	DIM-P	1	2	3	4	5	6		
ROW-D	5.00	5.00			5.00	5.00	ROW-D	5.00		5.00	5.00	5.00	5.00		
ROW-C	5.00	5.00			5.00	5.00	ROW-C	5.00		5.00	5.00	5.00	5.00		
ROW-B	5.00	5.00			5.00	5.00	ROW-B		5.00	5.00	5.00	5.00	5.00		
ROW-A	5.00	5.00			5.00	5.00	ROW-A	5.00	5.00	6.50	6.50	5.00	5.00		
DIM-D = 2.9±0.3				NUMBER OF CTS = 16				DIM-D = 2.9±0.3				NUMBER OF CTS = 21			

PART NUMBER: 70446-X08LF							CTS LOADING PATTERN								
DIM-P	1	2	3	4	5	6	DIM-P	1	2	3	4	5	6		
ROW-D	5.00		5.00	5.00	5.00	5.00	ROW-D	5.00		5.00	5.00	5.00	5.00		
ROW-C	5.00		5.00	5.00	5.00	5.00	ROW-C	5.00		5.00	5.00	5.00	5.00		
ROW-B		5.00	5.00	5.00	5.00	5.00	ROW-B		5.00	5.00	5.00	5.00	5.00		
ROW-A	5.00	5.00	6.50	6.50	5.00	5.00	ROW-A	5.00	5.00	6.50	6.50	5.00	5.00		
DIM-D = 2.9±0.3				NUMBER OF CTS = 16				DIM-D = 2.9±0.3				NUMBER OF CTS = 24			

PART NUMBER: 70446-X11LF							CTS LOADING PATTERN								
DIM-P	1	2	3	4	5	6	DIM-P	1	2	3	4	5	6		
ROW-D	5.00	5.00	5.00	5.00	5.00	5.00	ROW-D	5.00	5.00	5.00	5.00	5.00	5.00		
ROW-C	5.00	5.00	5.00	5.00	5.00	5.00	ROW-C	5.00	5.00	5.00	5.00	5.00	5.00		
ROW-B	5.00	5.00	5.00	5.00	5.00	5.00	ROW-B	5.00	5.00	5.00	5.00	5.00	5.00		
ROW-A	6.50	6.50	6.50	6.50	6.50	6.50	ROW-A	6.50	6.50	6.50	6.50	6.50	6.50		
DIM-D = 2.9±0.3				NUMBER OF CTS = 16				DIM-D = 2.9±0.3				NUMBER OF CTS = 24			

PART NUMBER: 70446-X06LF							CTS LOADING PATTERN								
DIM-P	1	2	3	4	5	6	DIM-P	1	2	3	4	5	6		
ROW-D	5.00	5.00			5.00	5.00	ROW-D	5.00	5.00	5.00	5.00	5.00	5.00		
ROW-C	5.00	5.00			5.00	5.00	ROW-C	5.00	5.00	5.00	5.00	5.00	5.00		
ROW-B	5.75	5.75			5.75	5.75	ROW-B	5.00	5.00	5.00	5.00	5.00	5.00		
ROW-A	5.00	5.00			5.00	5.00	ROW-A	5.00	6.50	5.00	6.50	6.50	6.50		
DIM-D = 2.9±0.3				NUMBER OF CTS = 16				DIM-D = 2.9±0.3				NUMBER OF CTS = 24			

PART NUMBER: 70446-X09LF							CTS LOADING PATTERN								
DIM-P	1	2	3	4	5	6	DIM-P	1	2	3	4	5	6		
ROW-D	5.00	5.00	5.00	5.00	5.00	5.00	ROW-D	5.00	5.00	5.00	5.00	5.00	5.00		
ROW-C	5.00	5.00	5.00	5.00	5.00	5.00	ROW-C	5.00	5.00	5.00	5.00	5.00	5.00		
ROW-B	5.00	5.00	5.00	5.00	5.00	5.00	ROW-B	5.00	5.00	5.00	5.00	5.00	5.00		
ROW-A	5.00	6.50	5.00	6.50	6.50	6.50	ROW-A	5.00	6.50	5.00	6.50	6.50	6.50		
DIM-D = 2.9±0.3				NUMBER OF CTS = 16				DIM-D = 2.9±0.3				NUMBER OF CTS = 24			

PART NUMBER: 70446-X07LF							CTS LOADING PATTERN								
DIM-P	1	2	3	4	5	6	DIM-P	1	2	3	4	5	6		
ROW-D	5.00		5.00	5.00	5.00	5.00	ROW-D	5.00	5.00	5.00	5.00	5.00	5.00		
ROW-C	5.00		5.00	5.00	5.00	5.00	ROW-C	5.00	5.00	5.00	5.00	5.00	5.00		
ROW-B			5.00	5.00	5.00	5.00	ROW-B			5.00	5.00	5.00	5.00		
ROW-A	5.00	5.00	6.50	6.50	5.00	5.00	ROW-A	5.00	5.00	6.50	6.50	5.00	5.00		
DIM-D = 2.9±0.3				NUMBER OF CTS = 20				DIM-D = 2.9±0.3				NUMBER OF CTS = 24			

PART NUMBER: 70446-X10LF							CTS LOADING PATTERN								
DIM-P	1	2	3	4	5	6	DIM-P	1	2	3	4	5	6		
ROW-D	5.00	5.00	5.00	5.00	5.00	5.00	ROW-D	5.00	5.00	5.00	5.00	5.00	5.00		
ROW-C	5.00	5.00	5.00	5.00	5.00	5.00	ROW-C	5.00	5.00	5.00	5.00	5.00	5.00		
ROW-B	5.00	5.00	6.50	5.00	5.00	5.00	ROW-B	5.00	5.00	6.50	5.00	5.00	5.00		
ROW-A	5.00	5.00	6.50	5.00	5.00	5.00	ROW-A	5.00	5.00	6.50	5.00	5.00	5.00		
DIM-D = 2.9±0.3				NUMBER OF CTS = 24				DIM-D = 2.9±0.3				NUMBER OF CTS = 24			

mat'l. code				surface ISO 1302 <input checked="" type="checkbox"/>		tolerance ISO 406 ISO 101		projection 101		product family METRAL			
ltr	ecn no	dr	date	tolerances unless otherwise specified		mm		scale		title METRAL RA HEADER STB CONVERG NB 4x6 1 MODULE- SPECIAL LOADING			
H	LS07-0134	MLE	2007-05-14	angles	linear	.X±0.3				dwg no 70446-3			
J	LS07-0245	MLE	2007-09-27	0°±2°		.XX±0.13				sheet 3 of 3			
K	ELX-I-38990	MINI	2020-11-17			.XXX±0.050				size A3			
L	ELX-I-41182	RAHUL	2021-06-15	dr	FETROW	1998-06-09				type Product Customer Drawing			
				enr	ARUN	2020-11-17							
				chr	ALEX BABU	2020-11-17							
				app	SANOJ	2020-11-17							
sheet index	revision sheet	L	L	L									
		1	2	3									