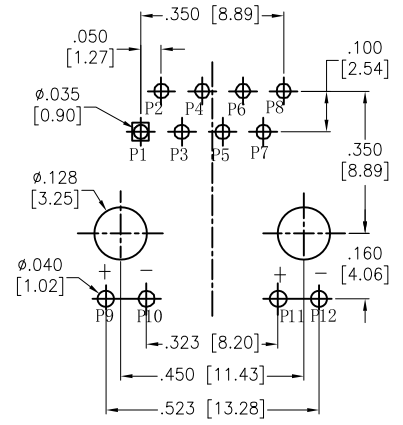
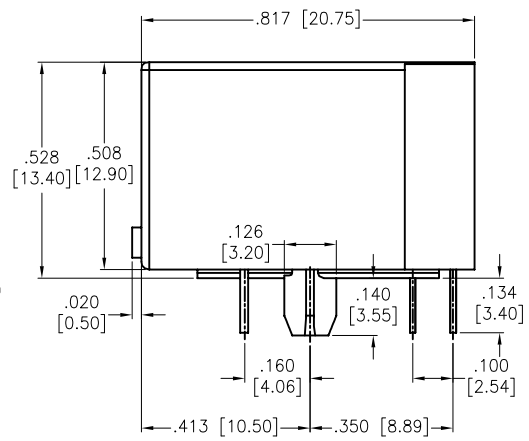
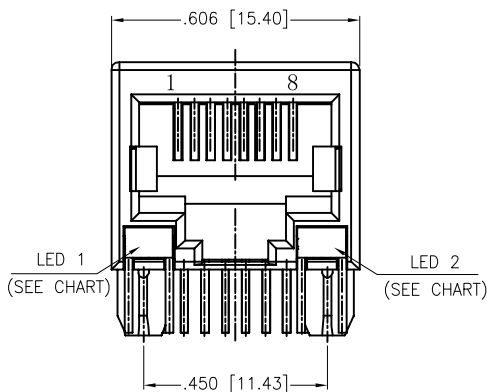
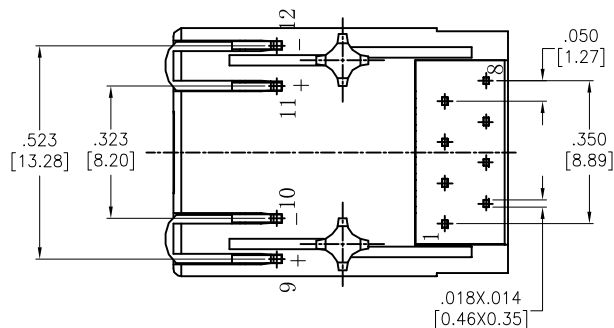


APPROVED: _____
 DATE: _____ TITLE: _____

Rev	AWO #	Description	Date	Appr
-		RELEASED	9/22/16	
A		UPDATE SPEC.	4/15/20	AY/RC



RECOMMENDED PCB LAYOUT



SPECIFICATIONS:

Material:
 Insulator: PBT, glass filled, rated UL 94V-0
 Insulator color: Black
 Contacts: Phosphor Bronze
 Shield: Brass, Nickel plated
 Contact Plating:
 Round contact
 Gold over Nickel underplate overall
 Flat contact
 Gold over Nickel underplate on contact area
 Matte Tin over Nickel underplate on solder tails

Electrical:
 Voltage rating: 150 VAC RMS
 Current rating: 1.5 Amp
 Contact Resistance: 20 mohms max
 Insulation resistance: 1,000 Mohms min @ 500 VDC
 Dielectric withstanding voltage:
 Contact to Contact: 1,000 VDC or AC Peak for 1 minute
 Contact to Screen and Test panel: 1,500 VDC or AC Peak for 1 minute
 Temperature Rating:
 Operating temperature: -40°C to +85°C
 Environmental:
 Lead free, RoHS compliant.



Part Number	LED 1 Color	LED 2 Color
MTJ-88TX1-LD	Green	Green
MTJ-88TX1-LG	Yellow	Green
MTJ-88TX1-LH	Green	Yellow
MTJ-88TX1-LP	Yellow/Green	Yellow/Green
MTJ-88TX1-LV	Green	Yellow/Green
MTJ-88TX1-L16	Green/Yellow	Green/Yellow

UNLESS OTHERWISE SPECIFIED
 ALL DIMENSIONS ARE INCHES [MM]
 TOLERANCES: EXCEPT AS NOTED

INCHES		HOLES	
.X	±.10	Ø.X	±.10
.XX	±.020	Ø.XX	±.015
.XXX	±.015	Ø.XXX	±.010

APPROVALS		DATE
DRAWN	HR	9/22/16
CHECKED	CH	9/22/16
APPROVED		

ADAM TECH INTERCONNECTS 909 Rahway Avenue,
 Union, NJ 07083
 Phone: 908-687-5000
 Fax: 908-687-5710

TITLE: MODULAR JACK GANGED, 1 PORT, 8P8C W/ LED'S

SIZE	PART NO.	REV.
X	MTJ-88TX1-LX	A

REF: S00005C SCALE: NTS SHEET 1 OF 1