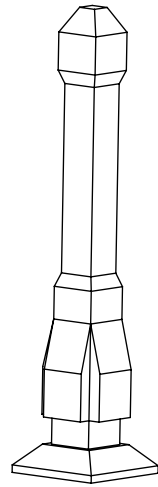


NOTES:

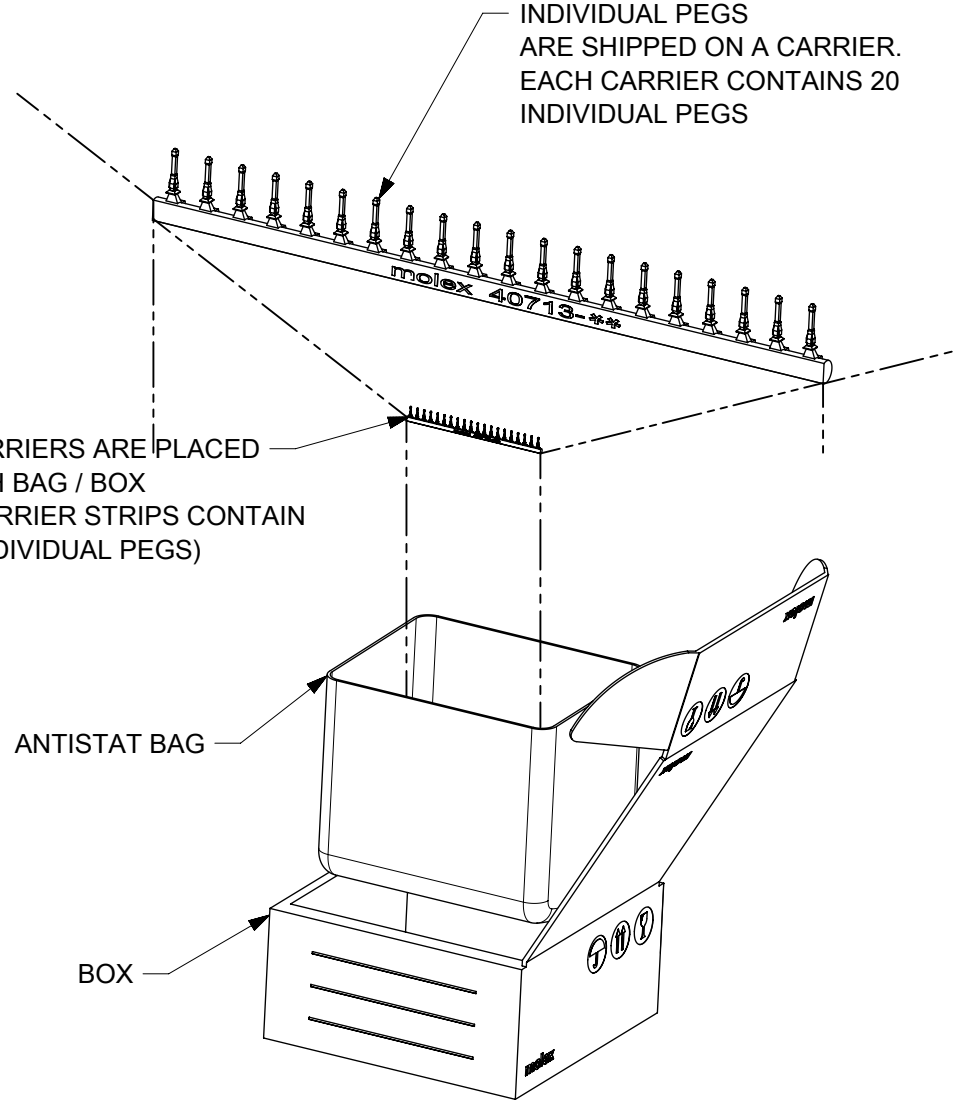
1. PEGS FOR USE WITH SL HOUSING 70066 OR OTHER HOUSINGS THAT HAVE WINDOW OPENINGS OF 0.96 / 0.81
2. MATERIAL: GLASS FILLED POLYESTER SEE CHART
3. PEG FUNCTIONS IN HOUSINGS WITH AND WITHOUT TERMINALS

INDIVIDUAL PEGS
SEE CHART FOR OPTIONS



INDIVIDUAL PEGS
ARE SHIPPED ON A CARRIER.
EACH CARRIER CONTAINS 20
INDIVIDUAL PEGS

250 CARRIERS ARE PLACED
IN EACH BAG / BOX
(250 CARRIER STRIPS CONTAIN
5000 INDIVIDUAL PEGS)



MATERIAL NO	ENGINEERING NO	COLOR
15-04-0292	40713-01	BLACK
15-04-0293	40713-02	WHITE

THIS DRAWING CONTAINS INFORMATION THAT IS PROPRIETARY TO MOLEX ELECTRONIC TECHNOLOGIES, LLC AND SHOULD NOT BE USED WITHOUT WRITTEN PERMISSION												
QUALITY SYMBOLS ▽ = 0 ▽ = 0 ▽ = 0 ▼ = 0 ▽ = 0 ⊠ = 0 ■ = 0 ▽ = 0	ADD PACKAGING EC NO: 121680 DRWN: KSAMIEC CHKD: 2017/09/11 2017/09/12 APPR: FSMITH	GENERAL TOLERANCES (UNLESS SPECIFIED)		DIMENSION UNITS	SCALE							
		ANGULAR TOL ± °		mm	10:1							
		4 PLACES ±	3 PLACES ±	KSAMIEC	2017/09/11							
		DRAFT WHERE APPLICABLE MUST REMAIN WITHIN DIMENSIONS		2 PLACES ± 0.13	1 PLACE ± 0.25	0 PLACES ± 0.0	CHK'D BY	DATE	UNIVERSAL POLARIZING PEGS PRODUCT CUSTOMER DRAWING			
				DRAWING SIZE		THIRD ANGLE PROJECTION	CHKD BY					
				B		FSMITH 2017/09/12						
				SERIES		MATERIAL NUMBER		CUSTOMER				
				40713		SEE CHART						
				DOCUMENT NUMBER		DOC TYPE	DOC PART	SHEET NUMBER				
				407130000-SD		PSD	000	1 OF 1				