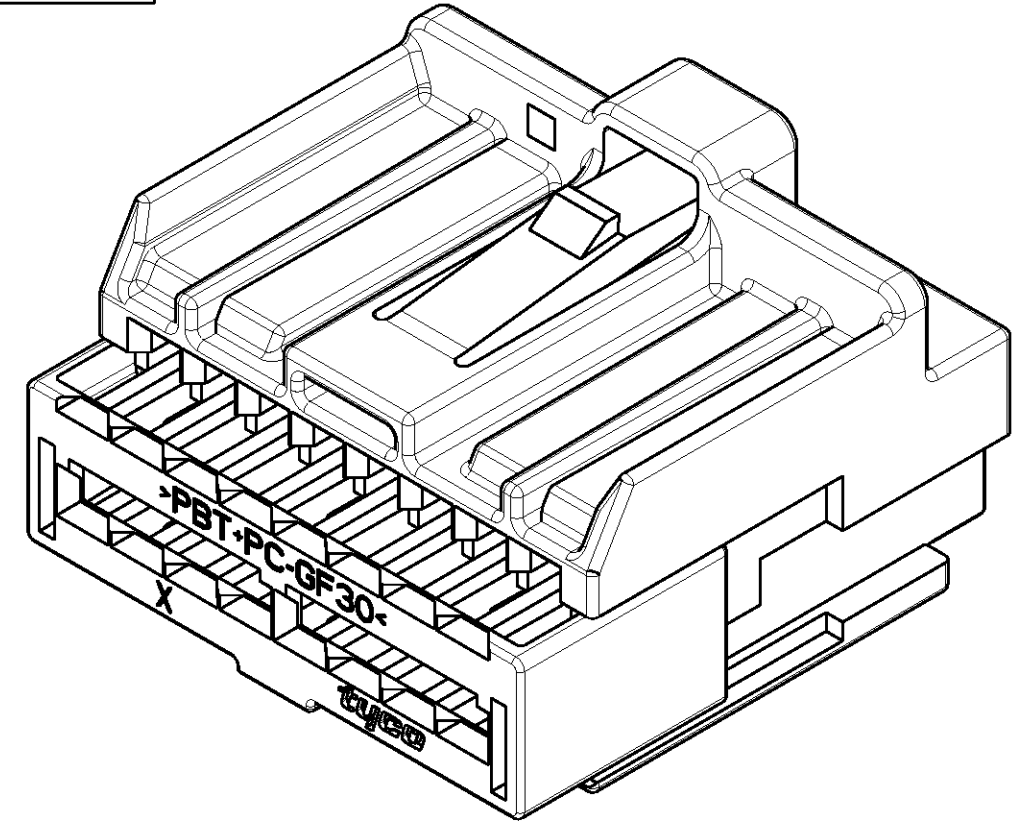
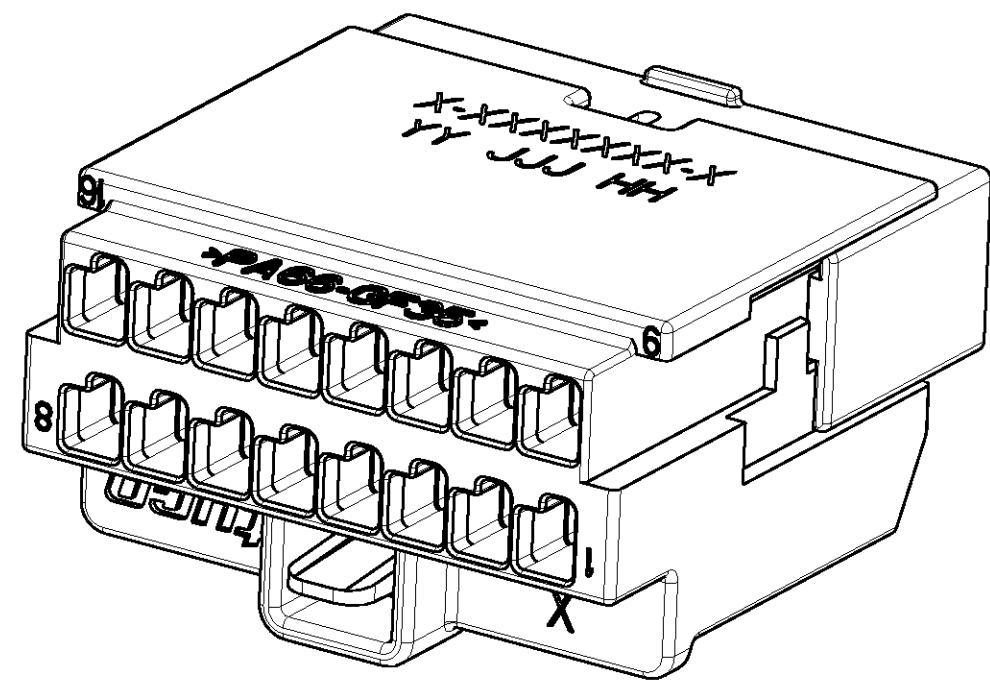
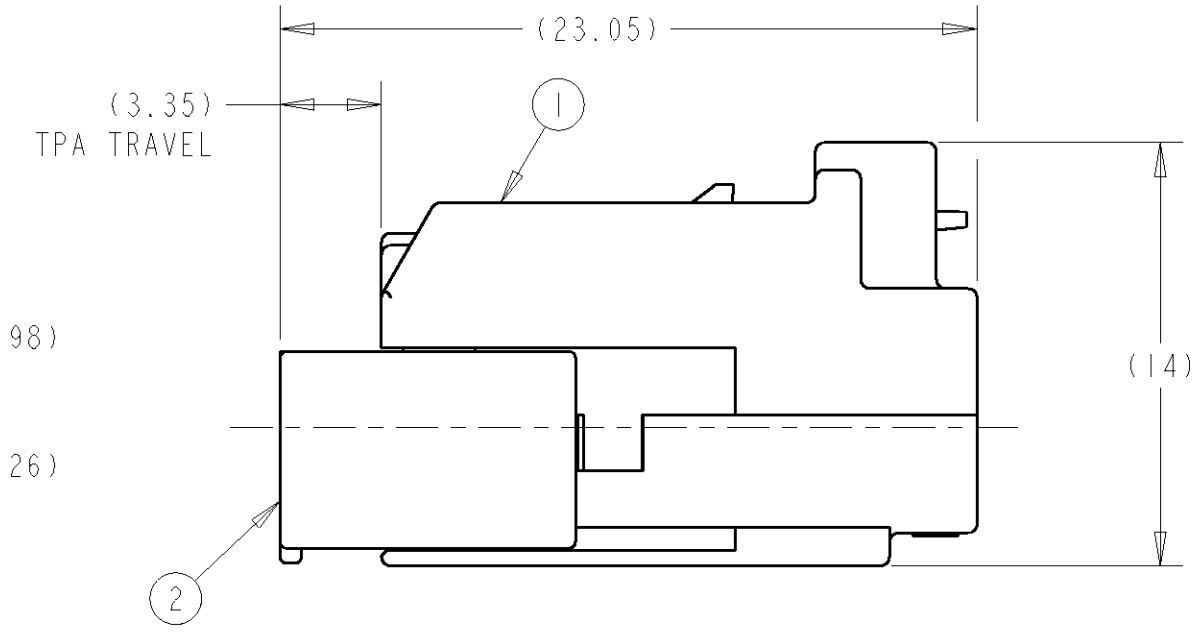
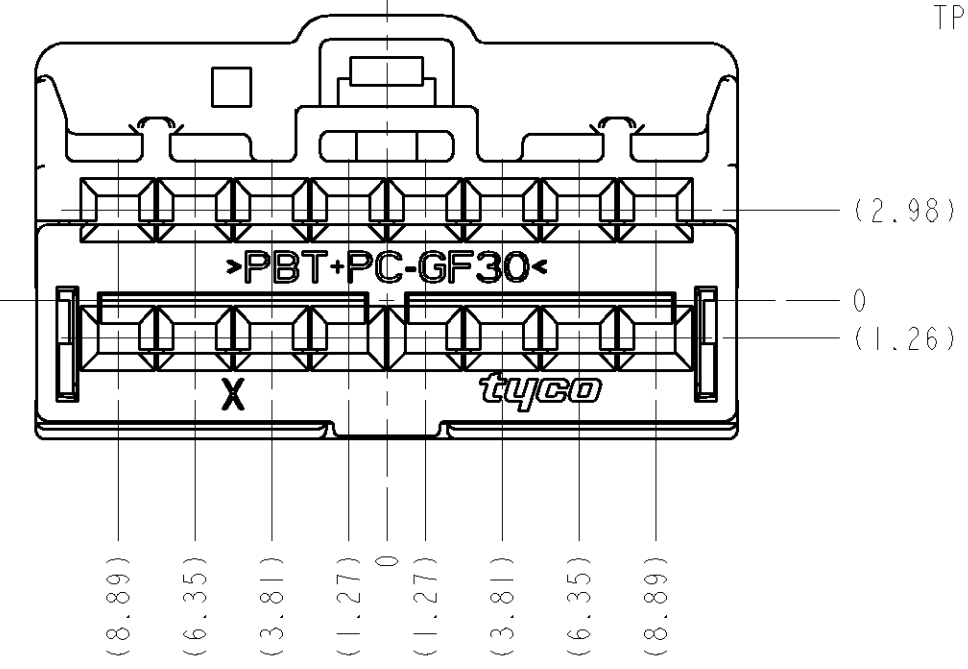


THIS DRAWING IS UNPUBLISHED. RELEASED FOR PUBLICATION 20
 © COPYRIGHT 20 BY TYCO ELECTRONICS CORPORATION. ALL RIGHTS RESERVED.

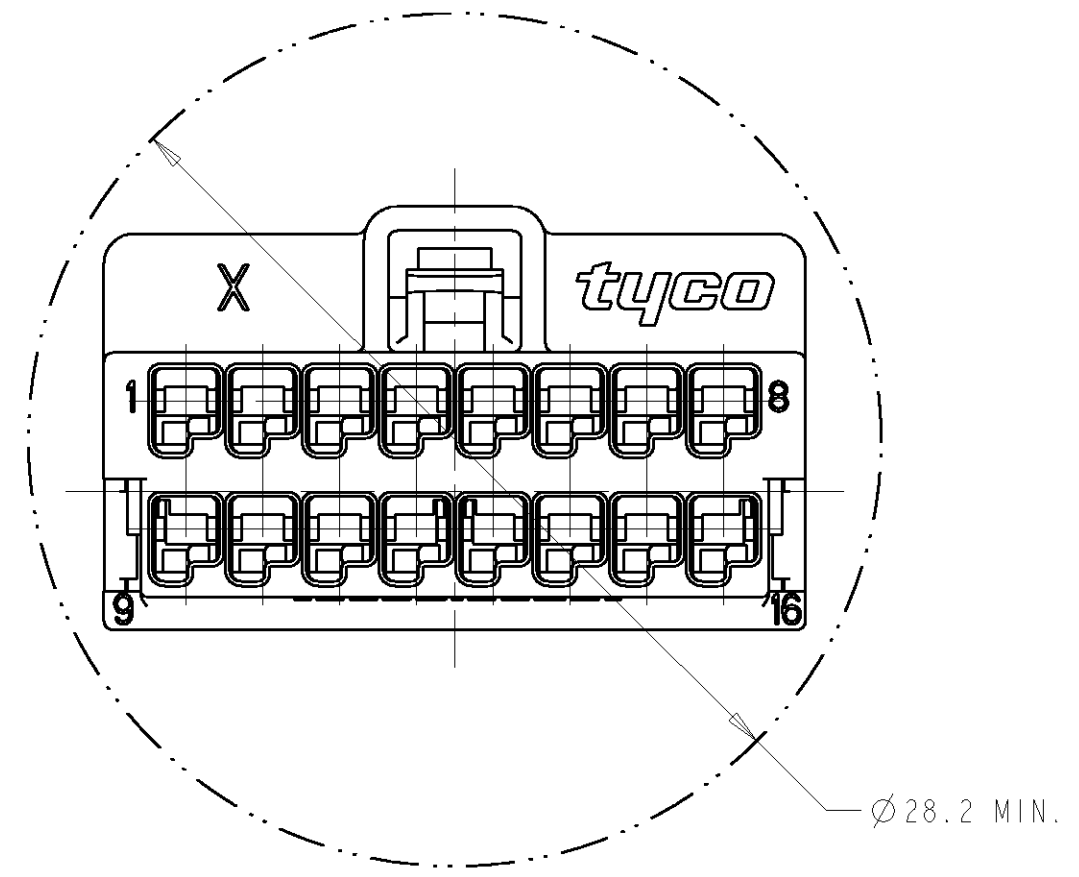
LOC	DIST	REVISIONS			
P	LTR	DESCRIPTION	DATE	DWN	APVD
FX	00				
	A	REVISED PER ECR 07-009220	20APR2007	DLD	DCS



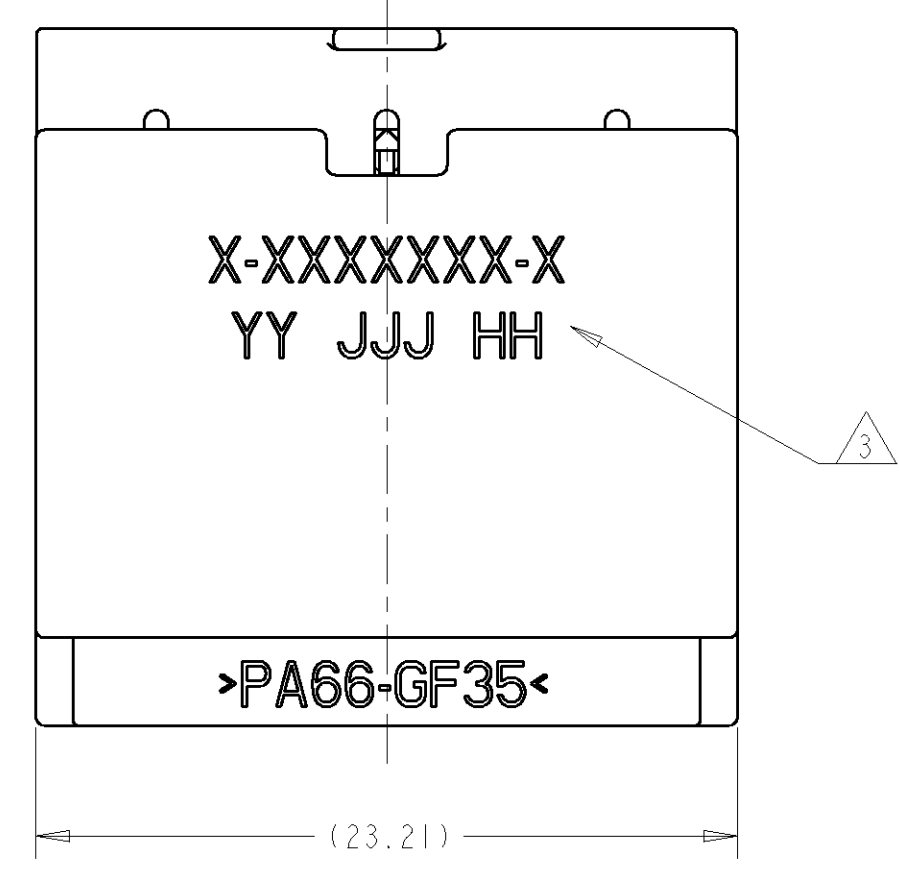
1. APPLICABLE TERMINAL PART NUMBERS (SOLD SEPARATELY):
 FOR TIN APPLICATIONS: 1393367 AND 1393366.
 FOR GOLD APPLICATIONS: 1393365 AND 1393364.
 FOR TERMINATION AND REELING OPTIONS
 SEE DRAWINGS 1393367, 1393366, 1393365, AND 1393364.
2. TPA IS SHIPPED IN ITS PRE-SET POSITION.
 ALL ASSEMBLIES ARE TO BE BULK PACKAGED.
3. PART NUMBER AND DATE CODE
 (YY = TWO DIGIT YEAR, JJJ = JULIAN DAY, HH = TWO DIGIT
 MILITARY HOUR) ARE PRINTED APPROXIMATELY IN THIS LOCATION.
4. APPLICABLE HEADER INTERFACE DRAWING 1488586 IS AVAILABLE
 UPON REQUEST. A COPY OF THIS DRAWING CAN BE OBTAINED FROM
 THE TYCO ELECTRONICS PRODUCT MANAGER, VIA YOUR TYCO
 ELECTRONICS SALES REPRESENTATIVE OR CUSTOMER SERVICE.
5. PART ASSEMBLY WEIGHT WITHOUT TERMINALS: 3.41 GRAMS.



TPA SHOWN IN PRE-SET POSITION
 (DELIVERY CONDITION)



MINIMUM FEED THROUGH CONDITION
 WITH 1mm CLEARANCE ALL AROUND



THIS DRAWING IS A CONTROLLED DOCUMENT FOR TYCO ELECTRONICS CORPORATION
 IT IS SUBJECT TO CHANGE AND THE CONTROLLING ENGINEERING ORGANIZATION
 SHOULD BE CONTACTED FOR THE LATEST REVISION.

DIMENSIONS:	TOLERANCES UNLESS OTHERWISE SPECIFIED:
mm	0 PLC ±
	1 PLC ±0.3
	2 PLC ±0.10
	3 PLC ±
	4 PLC ±
	ANGLES ±1°
	FINISH

QTY	DESCRIPTION	MATERIAL	COLOR/FINISH	ITEM
1	TPA	>PBT+PC-GF30<	RED	2
1	PLUG	>PA66-GF35<	BLACK	1

DWN M. FORISKA 07 JAN 2003	tyco Tyco Electronics Harrisburg, PA 17105-3608
CHK A. SHUMAN 07 JAN 2003	
APVD J. GUNDERMANN 07 JAN 2003	
PRODUCT SPEC	
APPLICATION SPEC	NAME 2 X 8 UNSEALED FEMALE GET LOW PROFILE PLUG ASSEMBLY WITH 4.24 VERTICAL ROW SPACING
WEIGHT	SIZE A2
CUSTOMER DRAWING	CAGE CODE 00779
	DRAWING NO 1488573
	RESTRICTED TO
	SCALE 4.1
	SHEET 1
	OF 1
	REV A

1488573