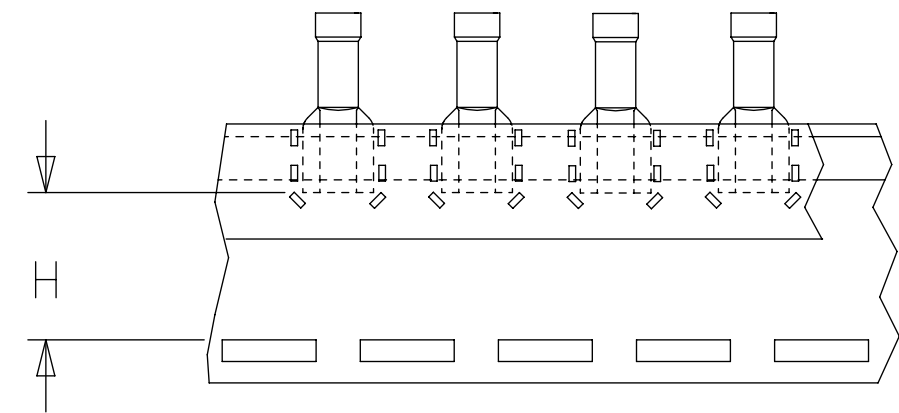
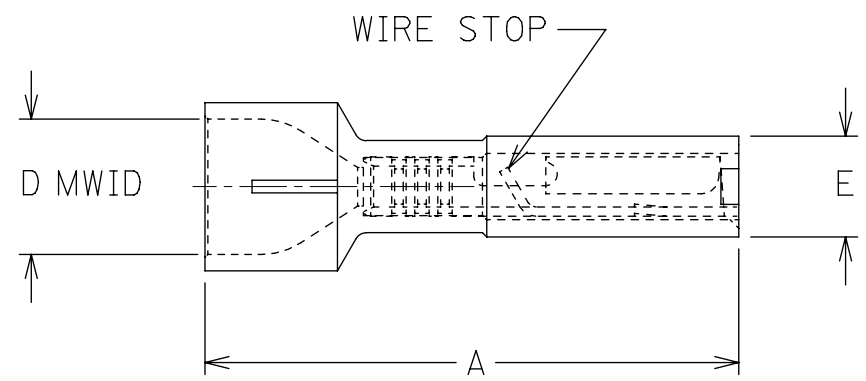
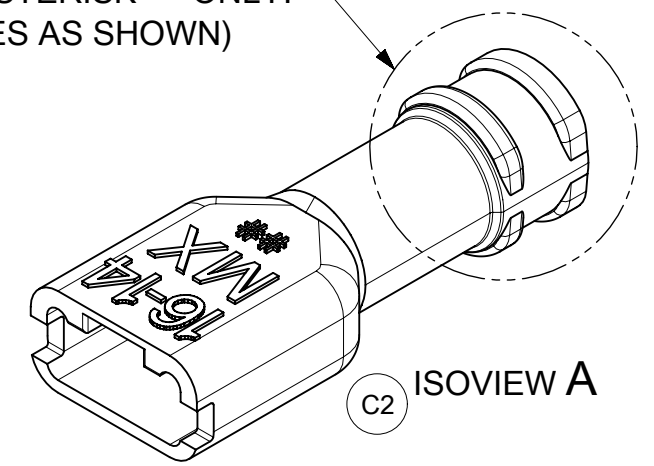
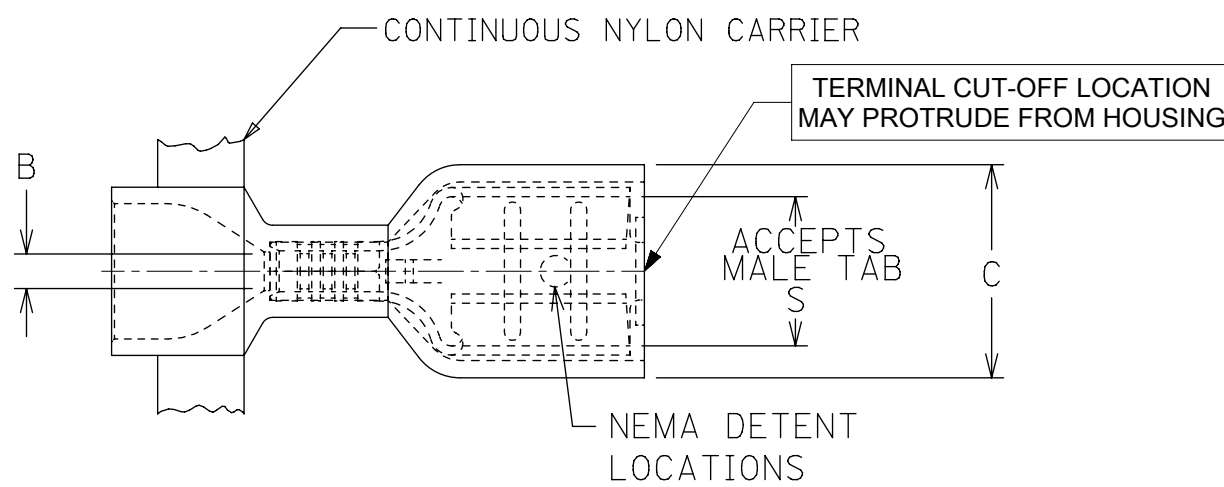


10	9	8	7	6	5	4	3	2	1				
MATERIAL # LOOSE PCS	MATERIAL # CONTINUOUS	MATERIAL # TAPE MNT	ENGINEERING PART NO.	INS. COLOR	WIRE RANGE AWG	FITS MALE TAB SIZE	STOCK THICK REF	"A" MAX	"B" MIN.	"C" MAX.	"D" MWID	"E" MAX.	"H" ±.02/0.5
190030008	190030009	190030010	AA-2201X	SALMON	22-18	.250x.032 (6.35x0.81)	.016 (0.4)	.94 /23.9	.056/1.42	.380 /9.66	.230 /5.84	.180 /4.58	.56/14.2
NOTE 5	NOTE 5	NOTE 5	AA-2213X	SALMON	22-18	.205x.020 (5.21x0.51)	.016 (0.4)	.86 /21.8	.056/1.42	.316 /8.03	.230 /5.84	.160 /4.07	.60/15.3
NOTE 5	NOTE 5	NOTE 5	AA-2214X	PINK	22-18	.205x.032 (5.21x0.81)	.016 (0.4)	.86 /21.8	.056/1.42	.316 /8.03	.230 /5.84	.160 /4.07	.60/15.3
190030014	190030015	190030016	AA-2202X	SALMON	22-18	.187x.020 (4.75x0.51)	.016 (0.4)	.86 /21.8	.056/1.42	.316 /8.03	.230 /5.84	.160 /4.07	.60/15.3
190030021	190030022	190030023	AA-2203X	PINK	22-18	.187x.032 (4.75x0.81)	.016 (0.4)	.86 /21.8	.056/1.42	.316 /8.03	.230 /5.84	.160 /4.07	.60/15.3
C2	----	----	AA-2204X	SALMON	22-18	.110x.020 (2.79x0.51)	.012 (0.3)	.86 /21.8	.056/1.42	.230 /5.85	.230 /5.84	.150 /3.81	.61/15.5
----	----	----	AA-2205X	PINK	22-18	.110x.032 (2.79x0.81)	.012 (0.3)	.86 /21.8	.056/1.42	.230 /5.85	.230 /5.84	.150 /3.81	.61/15.5
C2 190030047*	C2 190030048*	C2 190030049*	BB-2206X	BLUE	16-14	.250x.032 (6.35x0.81)	.016 (0.4)	.94 /23.9	.079/2.00	.380 /9.66	.260 /6.60	.180 /4.58	.56/14.2
NOTE 5	NOTE 5	NOTE 5	BB-2215X	BLUE	16-14	.205x.020 (5.21x0.51)	.016 (0.4)	.86 /21.8	.079/2.00	.316 /8.03	.260 /6.60	.170 /4.32	.60/15.3
NOTE 5	NOTE 5	NOTE 5	BB-2216X	AQUA	16-14	.205x.032 (5.21x0.81)	.016 (0.4)	.86 /21.8	.079/2.00	.316 /8.03	.260 /6.60	.170 /4.32	.60/15.3
190030053	190030054	190030055	BB-2207X	BLUE	16-14	.187x.020 (4.75x0.51)	.016 (0.4)	.86 /21.8	.079/2.00	.316 /8.03	.260 /6.60	.170 /4.32	.60/15.3
190030059	190030060	190030061	BB-2208X	AQUA	16-14	.187x.032 (4.75x0.81)	.016 (0.4)	.86 /21.8	.079/2.00	.316 /8.03	.260 /6.60	.170 /4.32	.60/15.3
190050010	190050014	190050015	C-2265	YELLOW	12-10	.250x.032 (6.35x0.81)	.018 (0.5)	1.04/26.4	.144/3.65	.380 /9.66	.275 /6.98	.290 /7.37	.51/12.9

ASSY P/N'S WITH AN ASTERISK "*" ONLY.
(HOUSING FEATURES AS SHOWN)



PARTS ON TAPE

1. MATERIAL: BRASS
2. FINISH: ELECTRO-TIN PLATING
3. INSULATION: NYLON
4. MWID= MAXIMUM WIRE INSULATION DIAMETER
5. CONSULT FACTORY FOR AVAILABILITY
6. PART IS RoHS COMPLIANT.

THIS DRAWING CONTAINS INFORMATION THAT IS PROPRIETARY TO MOLEX ELECTRONIC TECHNOLOGIES, LLC AND SHOULD NOT BE USED WITHOUT WRITTEN PERMISSION													
DIMENSION UNITS HYBRID		SCALE NTS		CURRENT REV DESC: ADD "*" TO P/N'S: 190030047. ADD RIBBED HOUSING DETAIL.									
GENERAL TOLERANCES (UNLESS SPECIFIED)				EC NO: 669489									
				DRWN: DMYRICK 2021/07/07				FULLY INSULATED QUICK DISCONNECTS EXPANDED FLARE					
				CHK'D: JMACNEIL 2021/07/07									
				APPR: JMACNEIL 2021/07/07				PRODUCT CUSTOMER DRAWING					
				INITIAL REVISION:									
				DRWN: RCM 1994/06/17				DOCUMENT NUMBER		DOC TYPE		DOC PART	
				APPR: FP 1994/06/17				SD-19003-006		PSD		001	
				ANGULAR TOL ± °		THIRD ANGLE PROJECTION		DRAWING		SERIES		SHEET NUMBER	
				DRAFT WHERE APPLICABLE MUST REMAIN WITHIN DIMENSIONS		B-SIZE		19003		SEE CHART		GENERAL MARKET	