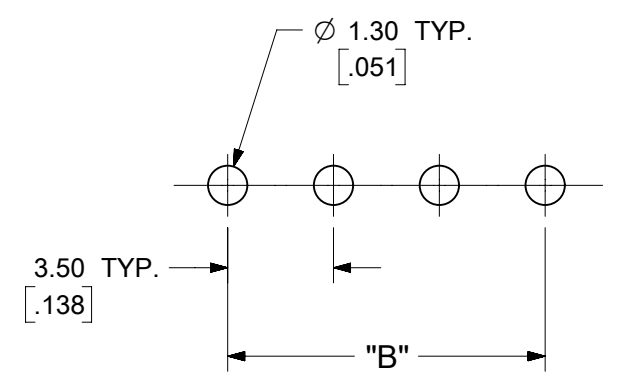
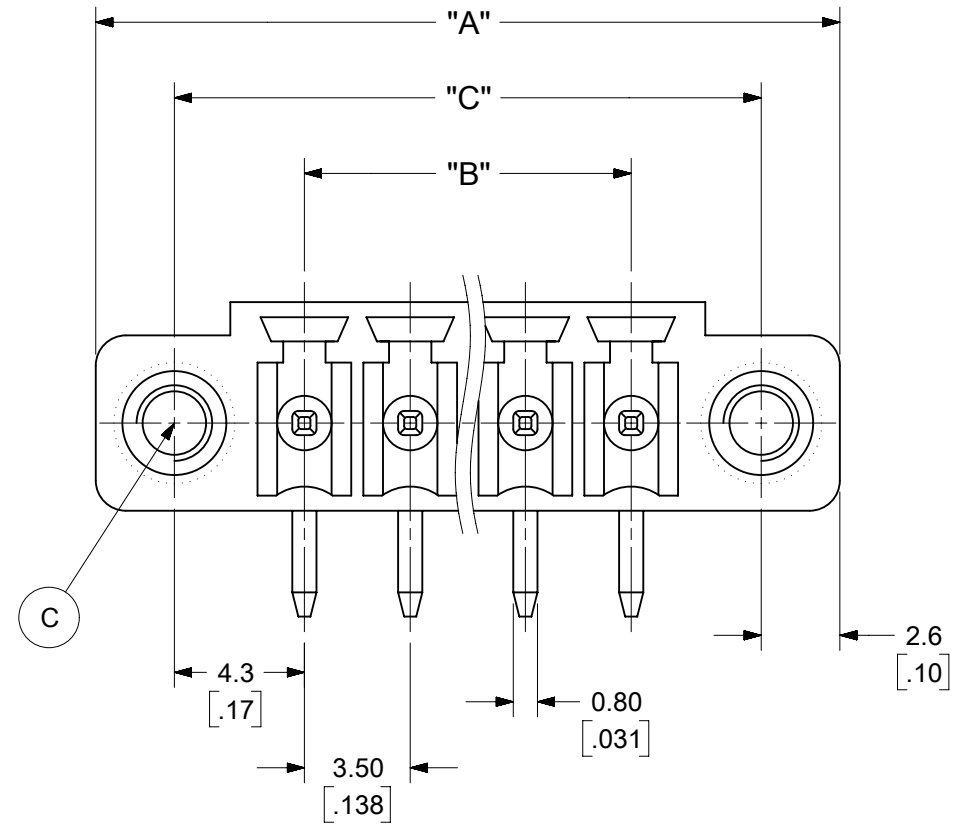
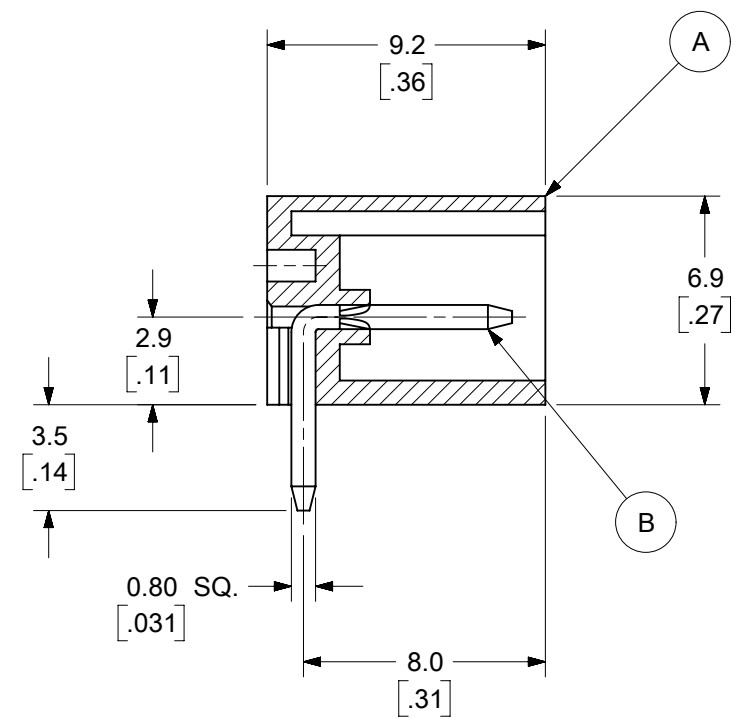


C  
SEE NOTES 3 & 4

M2.5 THREAD



PCB LAYOUT

SPECIFICATIONS:

1. MATERIAL:
  - (A). BODY: PA66, UL 94V-0
  - (B). TERMINAL: BRASS - TIN PLATED
  - (C). THREADED INSERT: BRASS
2. ELECTRICAL RATING: 300V, 8A
3. MAX TORQUE: 1.59 in.lbs. (0.18NM)
4. MINIMUM INSERT RETENTION: 22 lbf (98N)
5. OPERATING TEMPERATURE: -40°C to +105°C
6. MAX. SOLDERING TEMP: 260°C (500°F) FOR 5 SECONDS
7. DIM A (OVERALL LENGTH)= (N x P) + 10.3mm
8. DIM B (CIRCUIT LENGTH)= (N - 1) x P
9. DIM C (MOUNTING HOLES)= (B + 8.6mm)
10. P (PITCH) = 3.50mm (.138")
11. N = NUMBER OF POSITIONS AVAILABLE 2 THROUGH 20
12. PRODUCT SPEC: PS-39500-001
13. SEE DRAWING SD-39501-002 FOR PTH INFO
14. DIMS. SHOWN ARE FOR REFERENCE ONLY.

| TOLERANCES |       |           |       |
|------------|-------|-----------|-------|
| MM         | TOL   | INCH      | TOL   |
| 0-6        | ±0.25 | 0-.24     | ±.010 |
| >6-30      | ±0.40 | .24-1.18  | ±.016 |
| >30-120    | ±0.50 | 1.18-4.76 | ±.020 |
| >120       | ±0.80 | >4.76     | ±.031 |

|  |   |   |   |  |  |
|--|---|---|---|--|--|
| <b>SYMBOLS</b><br>DIMENSION UNITS: MM/INCH<br>SCALE: 4:1<br>GENERAL TOLERANCES (UNLESS SPECIFIED):<br>4 PLACES ±<br>3 PLACES ±<br>2 PLACES ±<br>1 PLACE ±<br>0 PLACES ±<br>ANGULAR TOL ± °<br>DRAFT WHERE APPLICABLE MUST REMAIN WITHIN DIMENSIONS | THIS DRAWING CONTAINS INFORMATION THAT IS PROPRIETARY TO MOLEX ELECTRONIC TECHNOLOGIES, LLC AND SHOULD NOT BE USED WITHOUT WRITTEN PERMISSION |   | CURRENT REV DESC: MIGRATION TO ECTR/NX  |  | <b>molex</b><br>3.5MM, EURO HEADER<br>RIGHT ANGLE, MOUNTING ENDS<br>PRODUCT CUSTOMER DRAWING |
|  | EC NO: 619929<br>DRWN: ABENJAMINLW 2019/06/12<br>CHK'D: DACHAMMER 2019/07/01<br>APPR: JFMURPHY 2019/07/08                                     | INITIAL REVISION:<br>DRWN: LROTHAUS 2006/01/09<br>APPR: JPAWLICK 2006/01/10 | DOCUMENT NUMBER: SD-39506-001<br>DOC TYPE: PSD<br>DOC PART: 001<br>REVISION: B2 | MATERIAL NUMBER: SEE SHEET-2<br>CUSTOMER: GENERAL MARKET<br>SHEET NUMBER: 1 OF 2 |  |

| DESCRIPTION                                    | CIRCUIT SIZE | MATERIAL NUMBERS |           |           |                  |           |           |                  |           |           |                  |           |           | DIMENSIONAL INFORMATION |       |          |       |          |       |
|--|--------------|------------------|-----------|-----------|------------------|-----------|-----------|------------------|-----------|-----------|------------------|-----------|-----------|-------------------------|-------|----------|-------|----------|-------|
|  |              | BLACK            |           |           |                  |           |           | GREEN            |           |           |                  |           |           |                         |       |          |       |          |       |
|  |              | 100% TIN         |           |           | 30 u" GOLD       |           |           | 100% TIN         |           |           | 30 u" GOLD       |           |           | DIM. "A"                |       | DIM. "B" |       | DIM. "C" |       |
|  |              | PRINTING OPTIONS |           |           | PRINTING OPTIONS |           |           | PRINTING OPTIONS |           |           | PRINTING OPTIONS |           |           | mm                      | inch  | mm       | inch  | mm       | inch  |
|  |              | None             | 10AV      | 11AV      | None             | 10AV      | 11AV      | None             | 10AV      | 11AV      | None             | 10AV      | 11AV      |                         |       |          |       |          |       |
| 3.5MM, EURO HEADER, RIGHT ANGLE, MOUNTING ENDS | 2            | 395061002        | 395061102 | 395061202 | 395061502        | 395061602 | 395061702 | 395066002        | 395066102 | 395066202 | 395066502        | 395066602 | 395066702 | 17.30                   | .681  | 3.50     | .138  | 12.10    | .476  |
| 3.5MM, EURO HEADER, RIGHT ANGLE, MOUNTING ENDS | 3            | 395061003        | 395061103 | 395061203 | 395061503        | 395061603 | 395061703 | 395066003        | 395066103 | 395066203 | 395066503        | 395066603 | 395066703 | 20.80                   | .819  | 7.00     | .276  | 15.60    | .614  |
| 3.5MM, EURO HEADER, RIGHT ANGLE, MOUNTING ENDS | 4            | 395061004        | 395061104 | 395061204 | 395061504        | 395061604 | 395061704 | 395066004        | 395066104 | 395066204 | 395066504        | 395066604 | 395066704 | 24.30                   | .957  | 10.50    | .413  | 19.10    | .752  |
| 3.5MM, EURO HEADER, RIGHT ANGLE, MOUNTING ENDS | 5            | 395061005        | 395061105 | 395061205 | 395061505        | 395061605 | 395061705 | 395066005        | 395066105 | 395066205 | 395066505        | 395066605 | 395066705 | 27.80                   | 1.094 | 14.00    | .551  | 22.60    | .890  |
| 3.5MM, EURO HEADER, RIGHT ANGLE, MOUNTING ENDS | 6            | 395061006        | 395061106 | 395061206 | 395061506        | 395061606 | 395061706 | 395066006        | 395066106 | 395066206 | 395066506        | 395066606 | 395066706 | 31.30                   | 1.232 | 17.50    | .689  | 26.10    | 1.028 |
| 3.5MM, EURO HEADER, RIGHT ANGLE, MOUNTING ENDS | 7            | 395061007        | 395061107 | 395061207 | 395061507        | 395061607 | 395061707 | 395066007        | 395066107 | 395066207 | 395066507        | 395066607 | 395066707 | 34.80                   | 1.370 | 21.00    | .827  | 29.60    | 1.165 |
| 3.5MM, EURO HEADER, RIGHT ANGLE, MOUNTING ENDS | 8            | 395061008        | 395061108 | 395061208 | 395061508        | 395061608 | 395061708 | 395066008        | 395066108 | 395066208 | 395066508        | 395066608 | 395066708 | 38.30                   | 1.508 | 24.50    | .965  | 33.10    | 1.303 |
| 3.5MM, EURO HEADER, RIGHT ANGLE, MOUNTING ENDS | 9            | 395061009        | 395061109 | 395061209 | 395061509        | 395061609 | 395061709 | 395066009        | 395066109 | 395066209 | 395066509        | 395066609 | 395066709 | 41.80                   | 1.646 | 28.00    | 1.102 | 36.60    | 1.441 |
| 3.5MM, EURO HEADER, RIGHT ANGLE, MOUNTING ENDS | 10           | 395061010        | 395061110 | 395061210 | 395061510        | 395061610 | 395061710 | 395066010        | 395066110 | 395066210 | 395066510        | 395066610 | 395066710 | 45.30                   | 1.783 | 31.50    | 1.240 | 40.10    | 1.579 |
| 3.5MM, EURO HEADER, RIGHT ANGLE, MOUNTING ENDS | 11           | 395061011        | 395061111 | 395061211 | 395061511        | 395061611 | 395061711 | 395066011        | 395066111 | 395066211 | 395066511        | 395066611 | 395066711 | 48.80                   | 1.921 | 35.00    | 1.378 | 43.60    | 1.717 |
| 3.5MM, EURO HEADER, RIGHT ANGLE, MOUNTING ENDS | 12           | 395061012        | 395061112 | 395061212 | 395061512        | 395061612 | 395061712 | 395066012        | 395066112 | 395066212 | 395066512        | 395066612 | 395066712 | 52.30                   | 2.059 | 38.50    | 1.516 | 47.10    | 1.854 |
| 3.5MM, EURO HEADER, RIGHT ANGLE, MOUNTING ENDS | 13           | 395061013        | 395061113 | 395061213 | 395061513        | 395061613 | 395061713 | 395066013        | 395066113 | 395066213 | 395066513        | 395066613 | 395066713 | 55.80                   | 2.197 | 42.00    | 1.654 | 50.60    | 1.992 |
| 3.5MM, EURO HEADER, RIGHT ANGLE, MOUNTING ENDS | 14           | 395061014        | 395061114 | 395061214 | 395061514        | 395061614 | 395061714 | 395066014        | 395066114 | 395066214 | 395066514        | 395066614 | 395066714 | 59.30                   | 2.335 | 45.50    | 1.791 | 54.10    | 2.130 |
| 3.5MM, EURO HEADER, RIGHT ANGLE, MOUNTING ENDS | 15           | 395061015        | 395061115 | 395061215 | 395061515        | 395061615 | 395061715 | 395066015        | 395066115 | 395066215 | 395066515        | 395066615 | 395066715 | 62.80                   | 2.472 | 49.00    | 1.929 | 57.60    | 2.268 |
| 3.5MM, EURO HEADER, RIGHT ANGLE, MOUNTING ENDS | 16           | 395061016        | 395061116 | 395061216 | 395061516        | 395061616 | 395061716 | 395066016        | 395066116 | 395066216 | 395066516        | 395066616 | 395066716 | 66.30                   | 2.610 | 52.50    | 2.067 | 61.10    | 2.406 |
| 3.5MM, EURO HEADER, RIGHT ANGLE, MOUNTING ENDS | 17           | 395061017        | 395061117 | 395061217 | 395061517        | 395061617 | 395061717 | 395066017        | 395066117 | 395066217 | 395066517        | 395066617 | 395066717 | 69.80                   | 2.748 | 56.00    | 2.205 | 64.60    | 2.543 |
| 3.5MM, EURO HEADER, RIGHT ANGLE, MOUNTING ENDS | 18           | 395061018        | 395061118 | 395061218 | 395061518        | 395061618 | 395061718 | 395066018        | 395066118 | 395066218 | 395066518        | 395066618 | 395066718 | 73.30                   | 2.886 | 59.50    | 2.343 | 68.10    | 2.681 |
| 3.5MM, EURO HEADER, RIGHT ANGLE, MOUNTING ENDS | 19           | 395061019        | 395061119 | 395061219 | 395061519        | 395061619 | 395061719 | 395066019        | 395066119 | 395066219 | 395066519        | 395066619 | 395066719 | 76.80                   | 3.024 | 63.00    | 2.480 | 71.60    | 2.819 |
| 3.5MM, EURO HEADER, RIGHT ANGLE, MOUNTING ENDS | 20           | 395061020        | 395061120 | 395061220 | 395061520        | 395061620 | 395061720 | 395066020        | 395066120 | 395066220 | 395066520        | 395066620 | 395066720 | 80.30                   | 3.161 | 66.50    | 2.618 | 75.10    | 2.957 |

| TOLERANCES |       |           |       |
|------------|-------|-----------|-------|
| MM         | TOL   | INCH      | TOL   |
| 0-6        | ±0.25 | 0-.24     | ±.010 |
| >6-30      | ±0.40 | .24-1.18  | ±.016 |
| >30-120    | ±0.50 | 1.18-4.76 | ±.020 |
| >120       | ±0.80 | >4.76     | ±.031 |

|         |  |   |  |
|---------|--|---|--|
| SYMBOLS |  | THIS DRAWING CONTAINS INFORMATION THAT IS PROPRIETARY TO MOLEX ELECTRONIC TECHNOLOGIES, LLC AND SHOULD NOT BE USED WITHOUT WRITTEN PERMISSION |  |
| ▽ = 0   | DIMENSION UNITS                                      | SCALE   | CURRENT REV DESC: MIGRATION TO ECTR/NX |
| ▽ = 0   | MM/INCH  | 2:1   |  |
| ▽ = 0   | GENERAL TOLERANCES (UNLESS SPECIFIED)                |   |  |
| ▽ = 0   | 4 PLACES ±   | MM  | EC NO: 619929                          |
| ▽ = 0   | 3 PLACES ±   | INCH  | DRWN: ABENJAMINLW 2019/06/12           |
| ▽ = 0   | 2 PLACES ±   | SEE CHART   | CHK'D: DACHAMMER 2019/07/01            |
| ▽ = 0   | 1 PLACE ±  | SEE CHART   | APPR: JFMURPHY 2019/07/08              |
| ▽ = 0   | 0 PLACES ±   | SEE CHART   | INITIAL REVISION:                      |
| ▽ = 0   | ANGULAR TOL ± °                                      |   | DRWN: LROTHAUS 2006/01/09              |
| ▽ = 0   | DRAFT WHERE APPLICABLE MUST REMAIN WITHIN DIMENSIONS | THIRD ANGLE PROJECTION  | APPR: JPAWLICK 2006/01/10              |
| ▽ = 0   |  | DRAWING   | SERIES                                 |
|         |  | B-SIZE  | 39506                                  |
|         |  | MATERIAL NUMBER   | CUSTOMER                               |
|         |  | SEE TABLE   | GENERAL MARKET                         |
|         |  | DOCUMENT NUMBER   | DOC TYPE DOC PART REVISION             |
|         |  | SD-39506-001  | PSD 001 B2                             |
|         |  |   | SHEET NUMBER                           |
|         |  |   | 2 OF 2                                 |