

## PG Series

- Smaller size with higher ripple current
- Load life 7,000 hours at 105°C



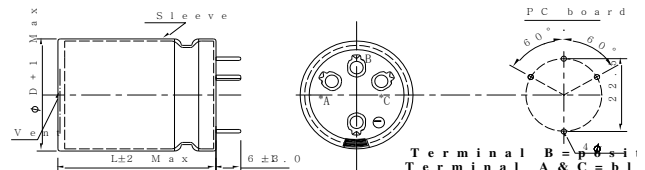
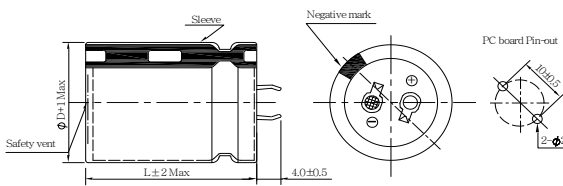
### SPECIFICATIONS

Item	Performance Characteristics							
Category Temperature Range	-25 ~ +105°C							
Working Voltage Range	200 ~ 500Vdc							
Capacitance Range	56 ~ 1,800µF							
Capacitance Tolerance	±20% (at 25°C and 120Hz)							
Dissipation Factor (tanδ) (at 25°C, 120Hz)	Rated Voltage (V)	200	220	250	400	420	450	500
	tanδ(Max)	0.20	0.20	0.20	0.25	0.25	0.25	0.25
Leakage Current	I=0.02CV or 3000µA, whichever is smaller I : Leakage current (µA) C : Rated capacitance (µF) V : Rated voltage (V) Impress the rated voltage for 5 minutes							
Low Temperature Characteristics Impedance Ratio(MAX)	Rated voltage (V)	200 ~250	400	420~ 450	500			
	Z(-25°C)/Z(+20°C)	4	4	8	8	(at 120Hz)		
Endurance	The following specifications shall be satisfied when the capacitors are restored to 25°C after subjected to DC voltage with the rated ripple current is applied for 7,000 hours at 105°C.							
	Capacitance change	≅ ±20% of the initial value						
	Dissipation factor(tanδ)	≅ 200% of the specified value						
	Leakage current	≅ specified value						
Shelf Life	The following requirements shall be satisfied when the capacitor are restored to 25°C after exposing them for 1,000 hours at 105°C without voltage applied.							
	Capacitance change	≅ ±20% of the initial value						
	Dissipation factor(tanδ)	≅ 200% of the specified value						
	Leakage current	≅ 200% of the specified value						
Others	Conforms to JIS-C-5101-4 (1998), characteristic W							

### DIMENSIONS (mm)

Terminal Code : ND : Standard

Terminal Code :K6 (ø35)



### PART NUMBER SYSTEM (Example : 450V 470µF)

P G 2 W 4 7 1 M N D 3 5 5 0

Special Request

Size code(3550 : 35×50)

Terminal length code

Lead forming Type code

Capacitance tolerance code(M:±20%)

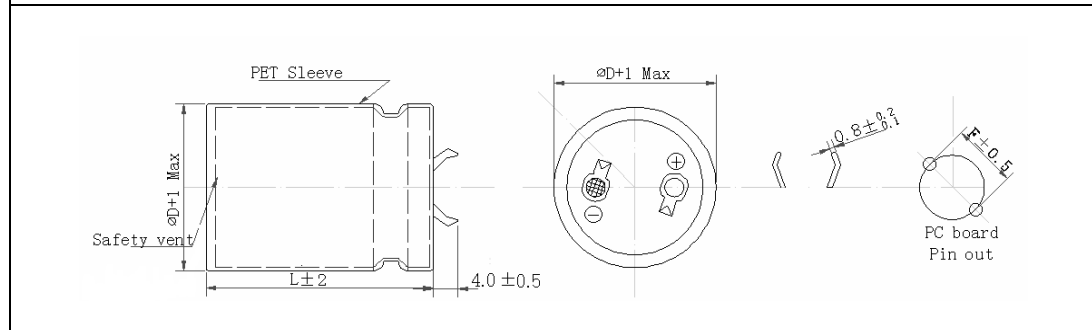
Capacitance code (470µF)

Voltage code (450V)

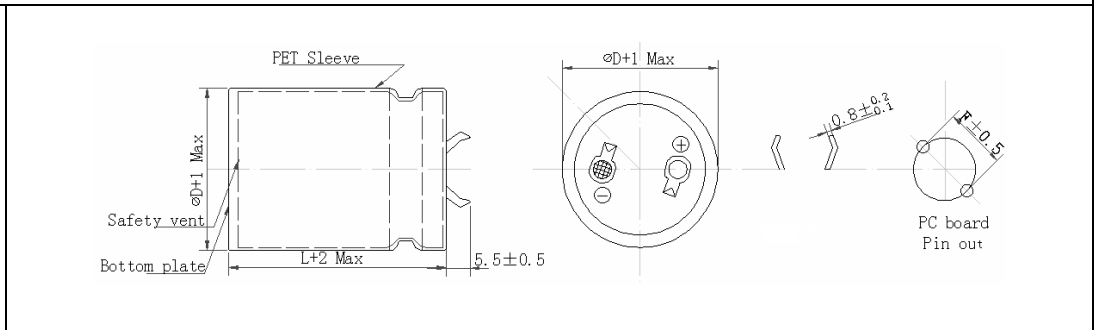
Series code (PG)

## Aluminum Electrolytic Capacitor

Customer	Digi-Key	SERIES	PG	NO.:	PUBLISH DATE	2022-03-25
----------	----------	--------	----	------	--------------	------------



**FIG-1**



**FIG-2**

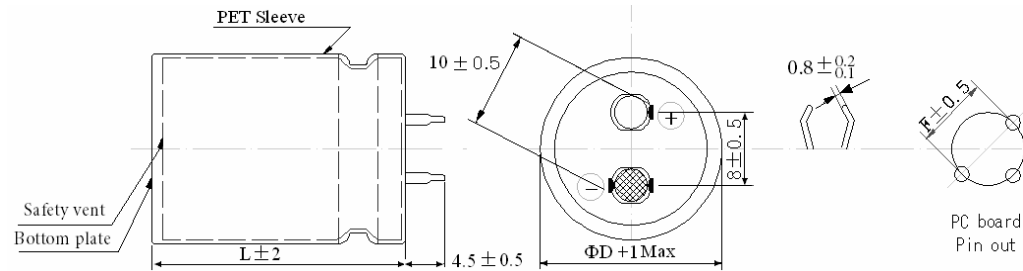
No.	CHINSAN Part No.	Customer Part No.	Capacitance (uF)	Tolerance On rated Capacitance (%)	Working Voltage (Vdc)	Surge Voltage (Vdc)	Category Temp Range (°C)	Tanδ @ 25°C (120Hz) (Max)	Leakage Current (uA) (2 min.)	Rated Ripple Current (mA rms) @ 105°C 120Hz	Rated Ripple Current (mA rms) @ 105°C 100kHz	ESR @ 25°C (mΩ max/ 120Hz)	Impedance @ 20°C (mΩ max/ 100kHz)	Endurance @ 105°C (Hours)	Dimensions (mm)					Appearance Drawing No
															D Φ	L	a	d	F	
1	PG2S271MND2545Y	/	270 μF	±20%	420 V	/	-25~+105	/	/	1270	/	/	/	5000	25	45	/	/	10	FIG-1
2	PG2D471MNN2535	/	470 μF	±20%	200 V	/	-25~+105	/	/	1320	/	/	/	2000	25	35	/	/	10	FIG-2
3	PG2G681MNN3550E	/	680 μF	±20%	400 V	/	-25~+105	/	/	2000	/	280	/	5000	35	50	/	/	10	FIG-2
4	PG2G221MNN2541	/	220 μF	±20%	400 V	/	-25~+105	/	/	1000	/	/	/	5000	25	41	/	/	10	FIG-2
5	PG2S331MND2545Y	/	330 μF	±20%	420 V	/	-25~+105	/	/	1470	/	/	/	5000	25	45	/	/	10	FIG-1

※Test leakage current before testing dissipation factor and capacitance during the electric characteristic test.

REMARKS:	APPROVED BY	CHECKED BY	PREPARED BY
Sleeve Color: Black. Suffix Y represents assembly without gasket.	张洪斌	曾爱娥	梁慧妍

## Aluminum Electrolytic Capacitor

<b>Customer</b>	<b>Digi-Key</b>	<b>SERIES</b>	<b>PG</b>	<b>NO.:</b>	<b>PUBLISH DATE</b>	<b>2022-03-25</b>
-----------------	-----------------	---------------	-----------	-------------	---------------------	-------------------



No.	CHINSAN Part No.	Customer Part No.	Capacitance (uF)	Tolerance On rated Capacitance (%)	Working Voltage (Vdc)	Surge Voltage (Vdc)	Category Temp Range (°C)	Tanδ @ 25°C (120Hz) (Max)	Leakage Current (uA) (2 min.)	Rated Ripple Current (mA rms) @ 105°C 120Hz	Rated Ripple Current (mA rms) @ 105°C 100kHz	ESR @ 25°C (mΩ max/ 120Hz)	Impedance @ 20°C (mΩ max/ 100kHz)	Endurance @ 105°C (Hours)	Dimensions (mm)					Appearance Drawing No
															D Φ	L	a	d	F	
1	PG2E391MW42532A	/	390 μF	±20%	250 V	/	-40~+105	/	/	1850	/	/	/	5000	25	32	/	/	10	---

※Test leakage current before testing dissipation factor and capacitance during the electric characteristic test.

REMARKS:	APPROVED BY	CHECKED BY	PREPARED BY
Sleeve Color: Black.	张洪斌	曾爱娥	梁慧妍