

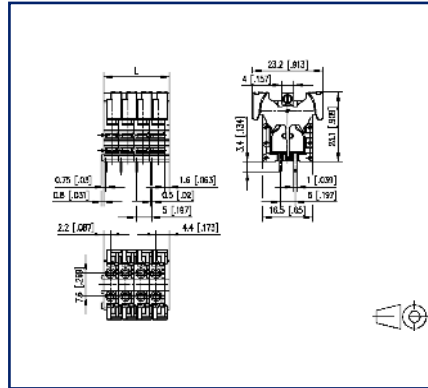
# Data sheet

## ST125xxVDNN AST125

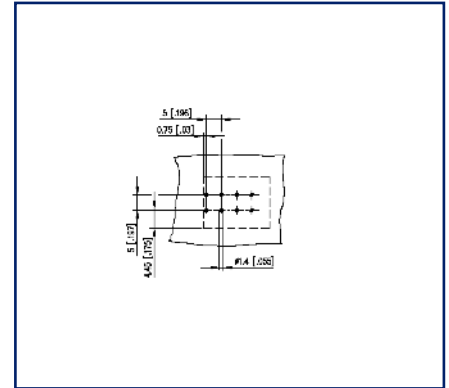
### Illustrations



Dimensional drawing



Drill pattern





See enlarged drawings at the end of document

### Product specification

- spring clamp terminal block, solderable, double solder pins
- centerline 5.00 mm, direction of connection vertical 0°
- color gray
- finger push-button, double solder pins

## Technical Data

General Data			
Solder pin length	3.4 mm		
min. number of poles	2		
max. number of poles	24		
Insulating material class	CTI 600		
clearance/creepage dist.	4.5 mm		
Protection category	IP20		
Min. insul. strip length	15 mm		
Rated current	15 A		
Overvoltage category	III	III	II
Pollution degree	3	2	2
Rated voltage	160 V	400 V	400 V
Rated test voltage	2.5 kV	2.5 kV	2.5 kV
Terminal data			
rat.wiring solid AWGmax	0.2 mm <sup>2</sup> - 2.5 mm <sup>2</sup> / AWG 28 - AWG 12		
rat.wiring strand.AWGmax	0.2 mm <sup>2</sup> - 2.5 mm <sup>2</sup> / AWG 28 - AWG 12		
Approvals			
 V / A / AWG	300 / 15 / 28 - 12		
approval UL - File No.	E121004		
 1 mm <sup>2</sup>	250 V / 13.5 A / T60		
Material			
insulating material	PA66		
flammability class	V0		
spring material	Spring steel		
contact material	CuSn		
Contact surface	Sn		
Glow-Wire Flammability GWFI	960 °C acc. to IEC 60695-2-12		
Glow-Wire Flammability GWIT	775 °C acc. to IEC 60695-2-13		
Climatic Data			
upper limit temperature	105 °C		
lower limit temperature	-40 °C		

# U | Contact

Data sheet  
**ST125xxVDNN AST125**

Page 3/5

**P/N**  
**AST125xx**  
**xx=number of poles**  
2023/07/03  
Version: X

## Technical Data

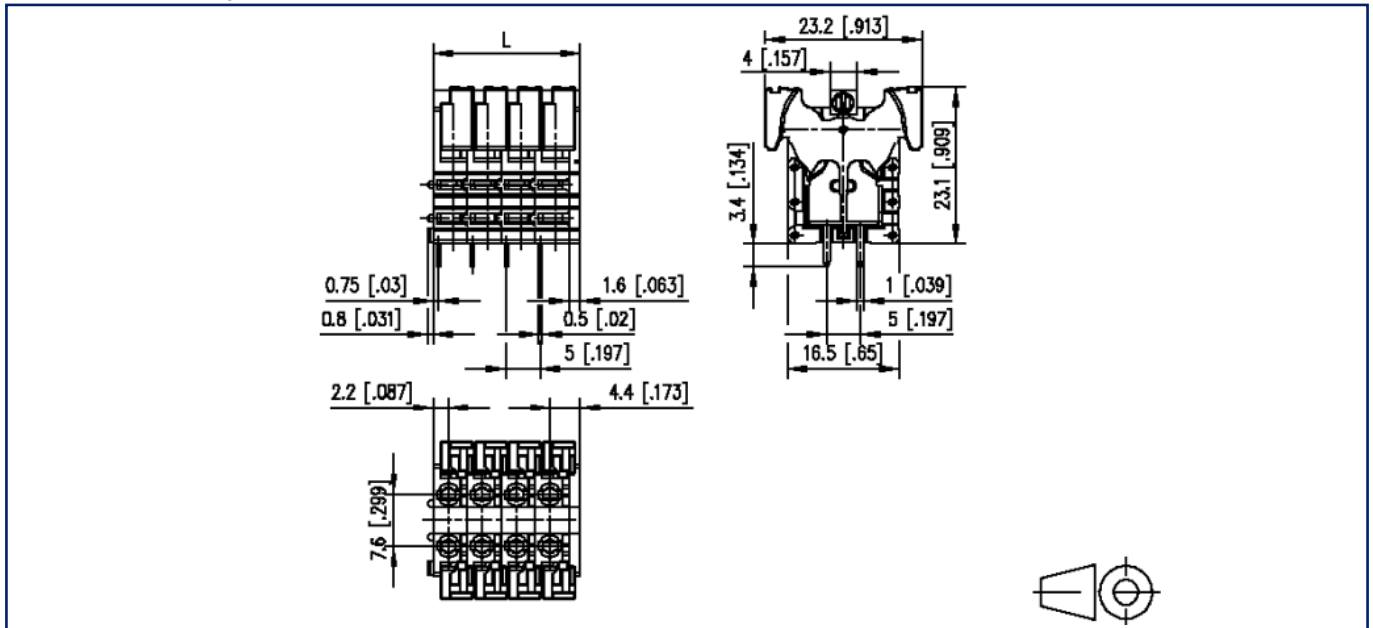
### general

Tolerance	ISO 2768 -mH
Solderability	Acc. to JEDEC JESD22-B102E 245°C/5s



## Illustrations

Dimensional drawing



$L = (\text{pole size} - 1) \times \text{centerline} + 6.6 \text{ mm} [0.26]$

## Illustrations

### Drill pattern

